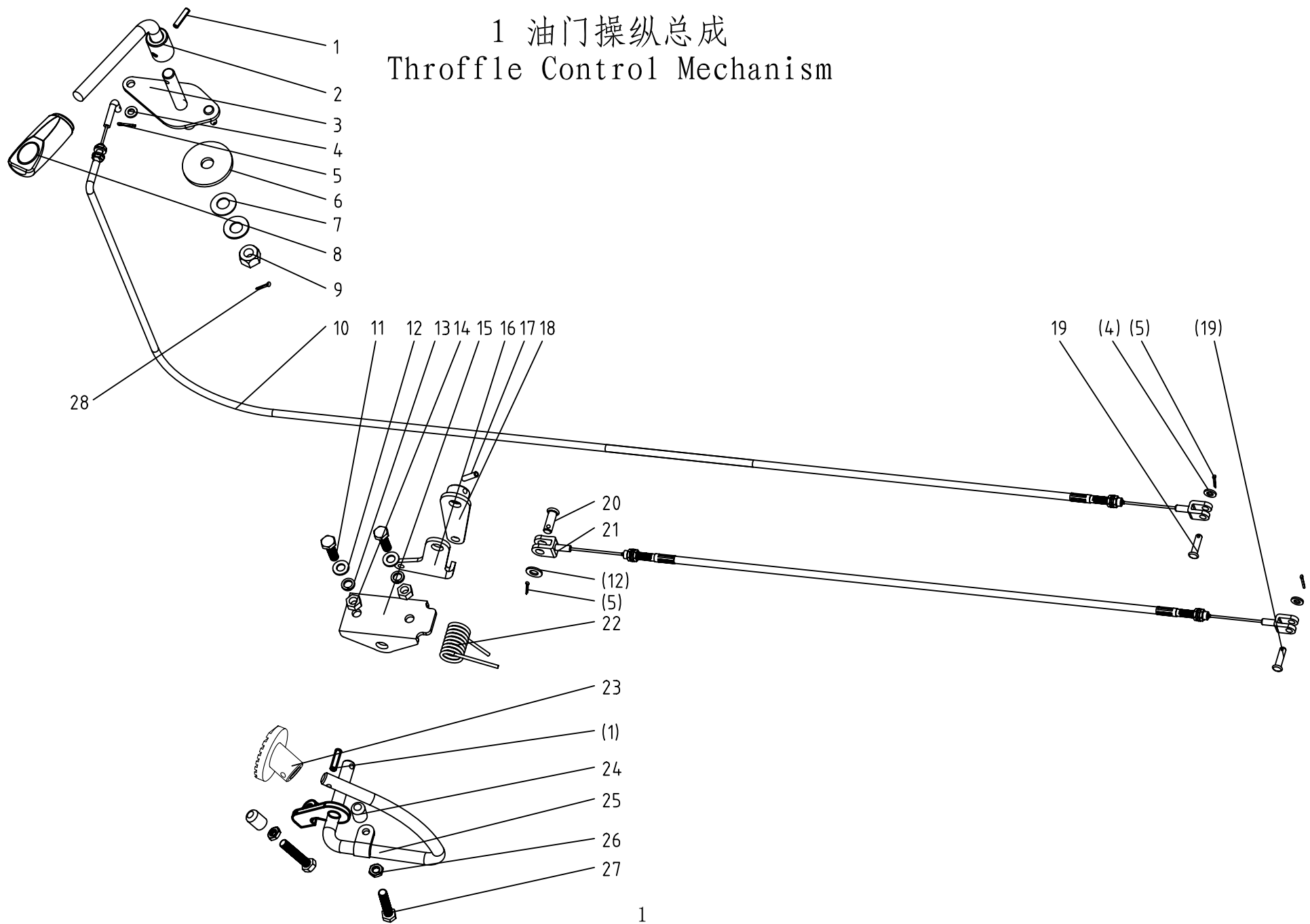


## 目录 CONTENT

1.	油门操纵机构总成 Throttle Control Mechanism .....	1
2.	离合器总成 Clutch .....	4
3.	机架总成 Frame .....	7
4.A	前驱动轮总成(22×7-12) Front Drive Wheel(22×7-12) .....	9
4.B	前驱动轮总成(6.00-12) Front drive wheel(6.00-12) .....	11
5.A	后驱动轮总成(10.5/80-18) Rear Drive Wheel(10.5/80-18) .....	13
5.B	驱动轮总成(9.50-24) Drive Wheel(9.50-24) .....	15
6.1	变速箱总成(A) Gearbox(A) .....	17
6.2	变速箱总成(B) Gearbox(B) .....	20
7.1	后桥总成(A) Rear Axle(A) .....	23
7.2	后桥总成(B) Rear Axle(B) .....	25
7.3	差速锁总成 Differential Lock .....	27
8.	最终传动总成 Final Transmission .....	29
9.	液压转向系统总成 Full Hydraulic Power Steering Gear .....	32
10.	动力输出总成 PTO .....	36
11.1	制动器总成 Brake Control Mechanism .....	40
11.2	手制动总成 Hand Brake Operation Mechanism .....	43
12.A	座椅总成 Seat .....	46
12.B	座椅总成 Seat .....	48
13.1	安全架总成 Safety Frame .....	50
13.2	前安全架总成 Front of Safety Frame .....	53
14.	机罩仪表罩总成 Hood and Panel .....	55
15.	地板挡泥板总成 Foot Mud Shields Rest .....	57
16.	电气系统总成 Electrical System .....	60
17.	工具箱总成 Toolbox .....	63
18.	燃油箱总成 Fuel Tank .....	65
19.A	悬挂装置总成 Suspension Mechanism .....	67

19.B	悬挂装置总成 Suspension Mechanism .....	70
20.1	分配器总成 Hydraulic Oil Distributor.....	73
20.2	液压提升器总成 Hydraulic Power Lift .....	75
21.	液压提升管路总成 Hydraulic Lifting Pipeline Assembly .....	79
22.1	前驱动桥总成(中) Front Driving Axle (middle) .....	81
22.2	前驱动桥总成(左边减速)Front Wheel Drive Axle ( Left Side-Slowdown ) .....	84
22.3	前驱动桥总成(右边减速)Front Wheel Drive Axle ( Right side-Slowdown ) .....	87
22.4	前驱动桥总成(254G3.31.011 部件) Front Wheel Drive Axle ( 254G3.31.011 Assembly ) .....	90
23.	前减速箱总成 Front Gearbox .....	88
24.	牵引架总成 Drawbar.....	96
25.	遮阳棚总成 Sun shed.....	98
26.	前配重总成 Front Balance Weight .....	100
27.	散热器总成 Radiator .....	102
28.	传动轴总成 Transmission shaft .....	104

# 1 油门操纵总成 Throttle Control Mechanism



## 1 油门操纵总成 Throttle Control Mechanism

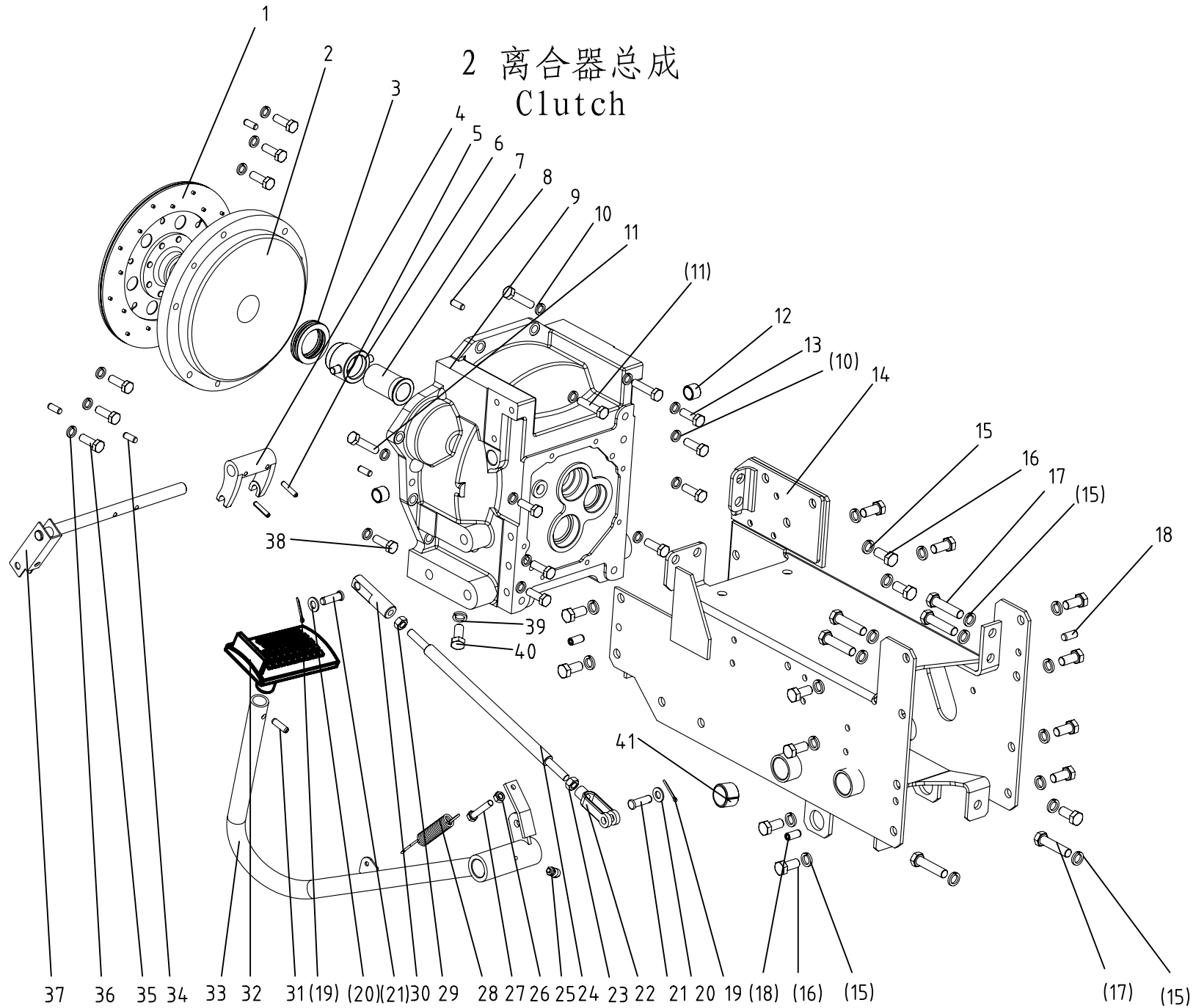
Ser.No.	Part No.	名称及规格	Name & Specifications	Quantity	Remarks
1	GB/T879.2-2000-5×22	销 5×22	Parallel pin 5×22	2	
2	254G3.20.016	手柄焊合件	Hand lever	1	
3	254G3.20.014	手油门操纵杆焊合件	Operating lever,Hand throttle	1	
4	GB/T97.1-2002-6	垫圈 6	Plain washer 6	3	
5	GB/T91-2000-2×16	销 2×16	Split pin 2×16	4	
6	300.20A.111	摩擦片	Friction lining	1	
7	300.20A.105	碟形弹簧	Disc spring	2	
8	504G3.20.011	手柄组合件	Handle	1	
9	GB/T6178-2000-M10	螺母 M10	Hex. nut M10	1	
10	254G3.20.015	手油门拉线组合件	Hand throttle wire	1	
11	GB/T5783-2000-M8×25	螺栓 M8×25	Hex. head bolt M8×25	2	
12	GB/T97.1-2002-8	垫圈 8	Plain washer 8	3	
13	GB/T93-1987-8	垫圈 8	Spring lock washer 8	2	
14	GB/T6170-2000-M8	螺母 M8	Hex. nut M8	2	
15	550.20.121-1	油门支架	Throttle bracket	1	
16	550.20.123-1	手油门摇臂	Rocker,Hand throttle	1	
17	GB/T879-2000-5×20	销 5×20	Parallel pin 5×20	1	
18	550.20.015-1	摇臂焊合件	Rocker	1	
19	GB/T882-1986-B6×22	销轴 B6×22	Clevis pin with head B6×22	2	
20	GB/T882-1986-B6×22	销轴 B8×22	Clevis pin with head B8×22	1	
21	254G3.20.013	脚油门拉线组合件	Foot throttle wire	1	
22	550.20.122-1	扭簧	Twist spring	1	
23	550.20.104-1	油门踏板	Foot throttle pedal	1	
24	550.20.120-1	橡胶帽	Rubber knot	2	
25	354-5.20.011	脚油门踏板焊合件	Foot throttle lever	1	

## 1 油门操纵总成 Throttle Control Mechanism

续表

Ser.No.	Part No.	名称及规格	Name & Specifications	Quantity	Remarks
26	GB/T6172-2000-M8	螺母 M8	Hex. nut M8	2	
27	GB/T5781-2000-M8×40	螺栓 M8×40	Hex. head bolt M8×40	2	
28	GB/T91-2000-2.5×20	销 2.5×20	Split pin 2.5×20	1	

## 2 离合器总成 Clutch



## 2 离合器总成 Clutch

Ser.No.	Part No.	名称及规格	Name & Specifications	Quantity	Remarks
1	254G3.21.012	离合器从动盘总成	Driven plate , clutch	1	
2	254G3.21.013	离合器压盘及盖总成	Pressure plate and cover,clutch	1	
3	996708K	分离轴承	Release bearing	1	
4	254G3.21.106	离合器拨叉	Release fork	1	
5	GB/T879.3-2000-6×30	销 6×30	Parallel pin 6×30	2	
6	254G3.21.103	分离轴承座	Release bearing seat	1	
7	254G3.21.110	轴承座	Bearing seat	1	
8	GB/T119.2-2000-10×22	销 B10×22	Parallel pin B10×22	2	
9	254G3.21.101	离合器壳体	Clutch case	1	
10	GB/T93-1987	垫圈10	Spring lock washer 10	13	
11	GB/T5783-2000-M10×45	螺栓 M10×45	Hex. head bolt M10×45	6	
12	254G3.21.111	分离轴衬套	Separate shaft bush	2	
13	GB/T5783-2000-M10×30	螺栓 M10×30	Hex. head bolt M10×30	5	
14	254G3.21.018-1	连接接架焊合件	Automotive frame	1	
15	GB/T93-1987-12	垫圈 12	Spring lock washer 12	25	
16	GB/T5783-2000-M12×25	螺栓 M12×25	Hex. head bolt M12×25	19	
17	GB/T5783-2000-M12×45	螺栓 M12×45	Hex. head bolt M12×45	6	
18	GB/T120.1-2000-10×22	销10×22	Parallel pin 10×22	4	
19	GB/T91-2000-3.2×25	销 3.2×25	Split pin 3.2×25	2	
20	GB/T97.1-2002-10	垫圈 10	Plain washer 10	2	
21	GB/T882-1986-B10×32	销轴 B10×32	Clevis pin with head B10×32	2	
22	254G2.21.106	拉杆叉头	Rod clevis	1	
23	GB/T6171-2000-M10×1(left)	螺母 M10×1(左)	Hex. nut M10×1(left)	1	
24	254G3.21.105	离合器推杆	Release push- rod	1	
25	JB/T7940.2-1995-45°M6	油杯45° M6	Angle grease nipple 45° M6	1	

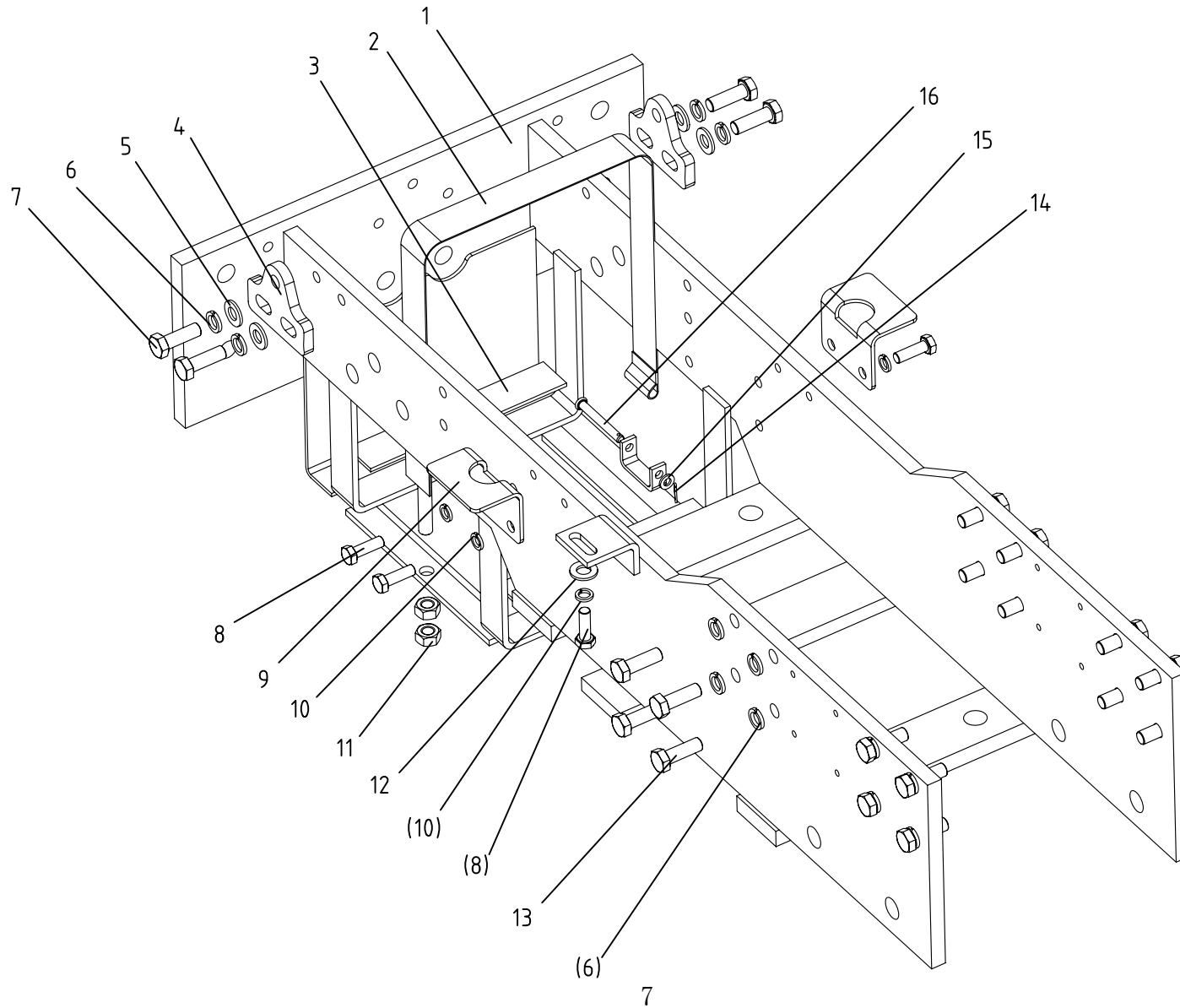
## 2 离合器总成 Clutch

续表

Ser.No.	Part No.	名称及规格	Name & Specifications	Quantity	Remarks
26	GB/T6170-2000-M8	螺母 M8	Hex. nut M8	2	
27	GB/T5783-2000-M8×45	螺栓 M8×45	Hex. head bolt M8×45	2	
28	300.21A.147-1	拉簧	Extension spring	1	
29	GB/T6171-2000-M10×1	螺母 M10×1	Hex. nut M10×1	1	
30	254G3.21.104	离合器推杆叉头	Clutch push rod clevis	1	
31	GB/T879.2-2000-8×26	销8×26	Slotted spring pin 8×26	1	
32	254G3.21.021	离合器踏板焊合件	Clutch pedal	1	
33	254G3.21.014	离合器踏杆焊合件	Clutch arm	1	
34	GB/T119.2-2000-B8×20	销 B8×20	Parallel pin B8×20	3	
35	GB/T5783-2000-M8×20	螺栓 M8×20	Hex. head bolt M8×20	6	
36	GB/T93-1987-8	垫圈 8	Spring lock washer 8	6	
37	254G3.21.016-1	分离轴摇臂焊合件	Release shaft, clutch	1	
38	GB/T70.1-2000-M10×30	螺钉 M10×30	Bolt M10×30	2	
39	GB/T97.1-2002-6	垫圈 6	Plain washer 6	6	
40	GB/T5783-2000-M6×12	螺栓 M6×12	Hex. head bolt M6×12	2	
42	254G3.21.124	衬套	Bush	4	



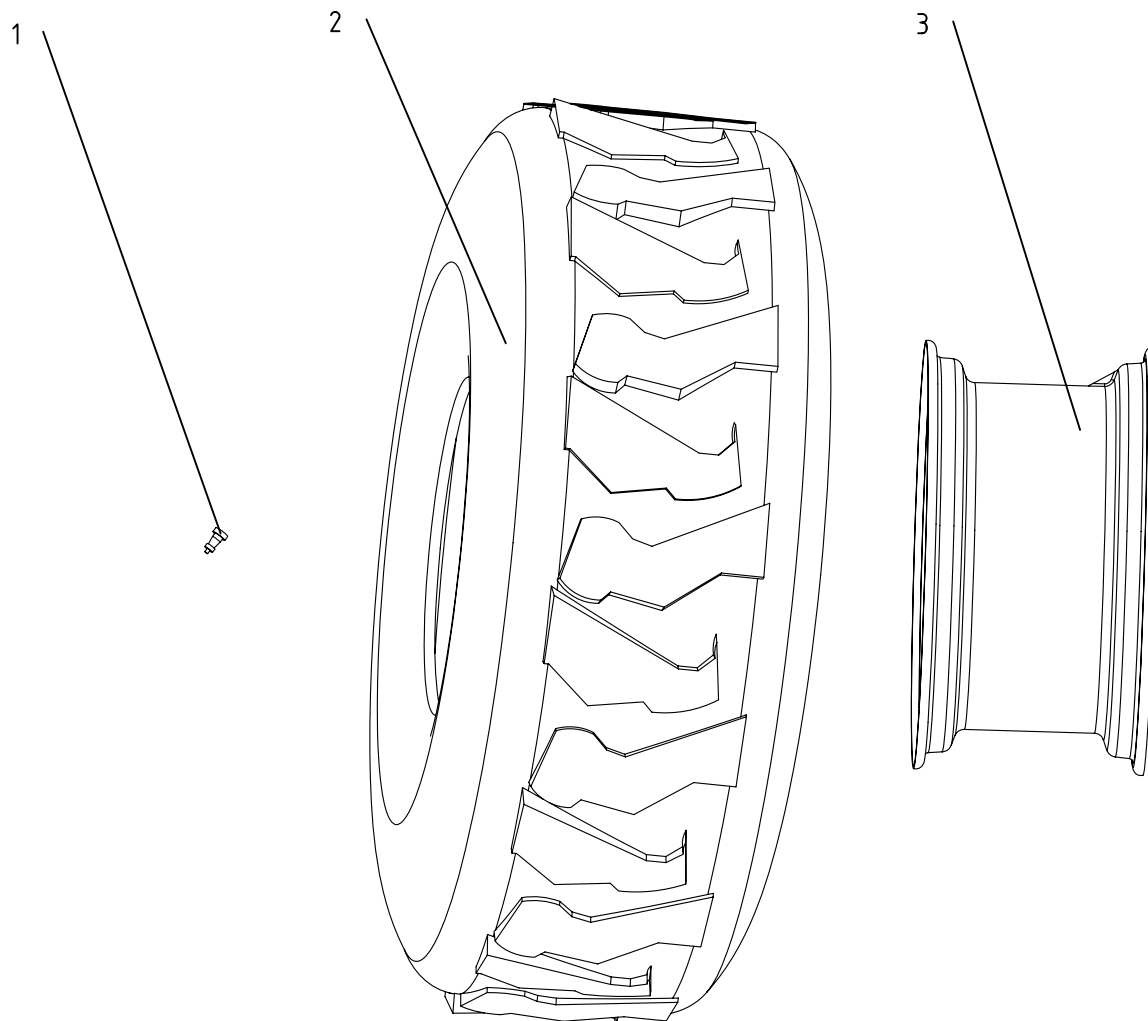
### 3 机架总成 Frame



### 3 机架总成 Frame

Ser.No.	Part No.	名称及规格	Name & Specifications	Quantity	Remarks
1	254G3.30.011	机架焊合件	Frame	1	
2	404-11.30.013	紧固带焊合件	Fastening hoop weldment	1	
3	300.47.143	电瓶胶垫	Battery cushion	3	
4	254G3.30.107-1	机罩安装支架	Installation bracket of engine hood	1	
5	GB/T97.1-2002-10	垫圈 10	Chamfered plain washer 10	4	
6	GB/T93-1987-10	垫圈 10	Spring Lock washer 10	20	
7	GB/T5783-2000-M10×25	螺栓 M10×25	Hex.head bolt M10×25	4	
8	GB/T5783-2000-M8×25	螺栓 M8×25	Hex.head bolt M8×25	5	
9	254G3.30.106	散热器支撑板	Fixing plate of radiator	1	
10	GB/T93-1987-8	垫圈 8	Spring Lock washer 8	5	
11	GB/T6170-2000-M10	螺母 M10	Hex. nut M10	2	
12	GB/T97.1-2002-8	垫圈 8	Chamfered plain washer 8	1	
13	GB/T5783-2000-M10×30	螺栓 M10×30	Hex.head bolt M10×30	16	
14	GB/T91-2000-1.6×12	销 1.6×12	Split pin 1.6×12	1	
15	GB/T97.1-2002-6	垫圈 6	Chamfered plain washer 6	1	
16	GB/T882-1986-B6×50	销轴 B6×50	Clevis pin with head B6×50	1	

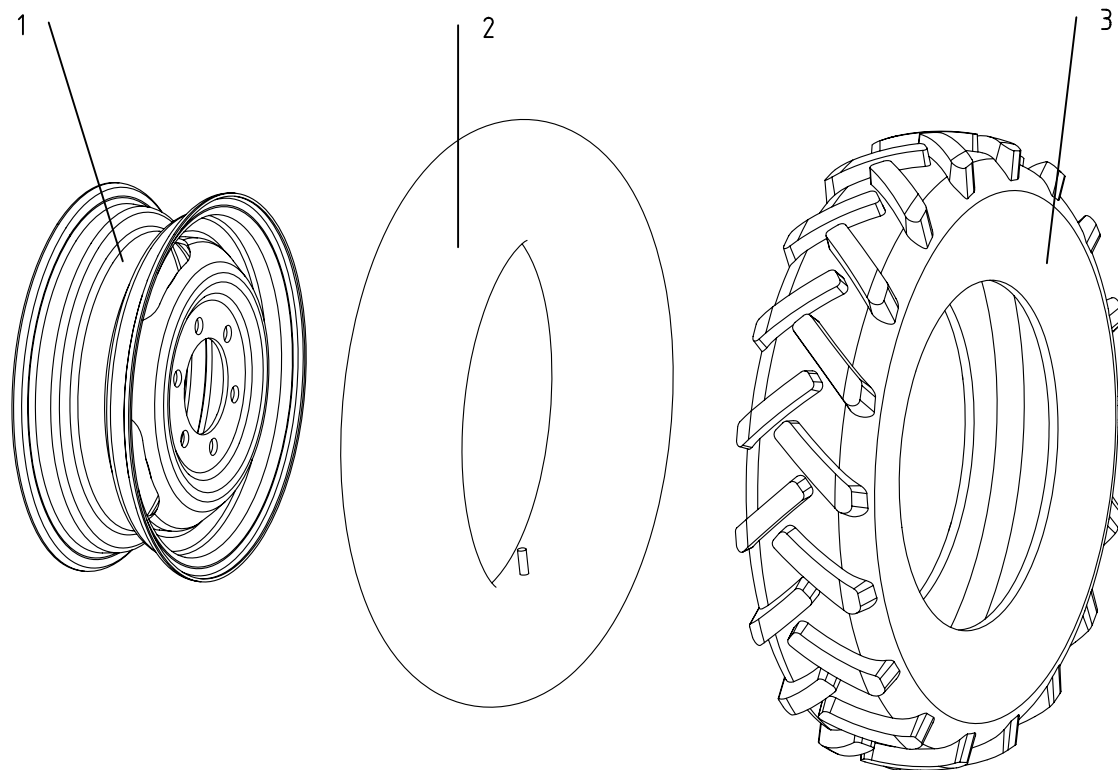
4.A 前驱动轮总成 (22x7-12)  
Front Drive Wheel (22x7-12)



4. A 前驱动轮总成 (22×7-12) Front Drive Wheel (22×7-12)

Ser.No.	Part No.	名称及规格	Name & Specifications	Quantity	Remarks
1	TR416	气门嘴	Valve	1×2	
2	22×7-12	R4花纹轮胎	R4-tyre	1×2	
3	254G3.32.011	轮辋总成	Front wheel rim	1×2	

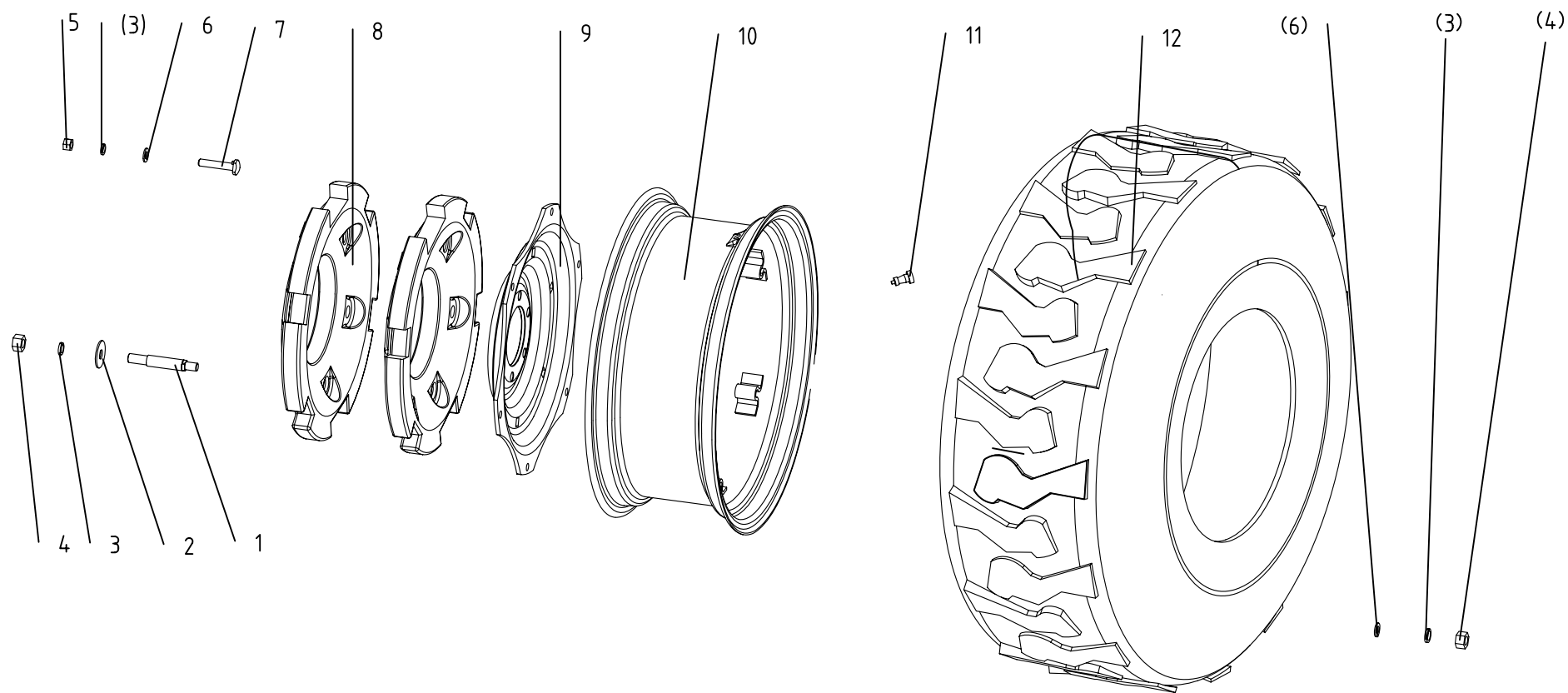
## 4. B 前驱动轮总成 Front drive wheel



#### 4. B 前驱动轮总成 Front Drive Wheel

Ser.No.	Part No.	名称及规格	Name & Specifications	Quantity	Remarks
1	204.32.011-1	轮辋总成	Wheel rim	1×2	
2	GB/T2979-1999-6.00-12	驱动轮内胎6.00-12	Tube 6.00-12	1×2	
3	GB/T2979-1999-6.00-12	驱动轮外胎6.00-12	Tyre 6.00-12	1×2	

5. A 后驱动轮总成 (10.5/80-18)  
Rear Drive Wheel (10.5/80-18)

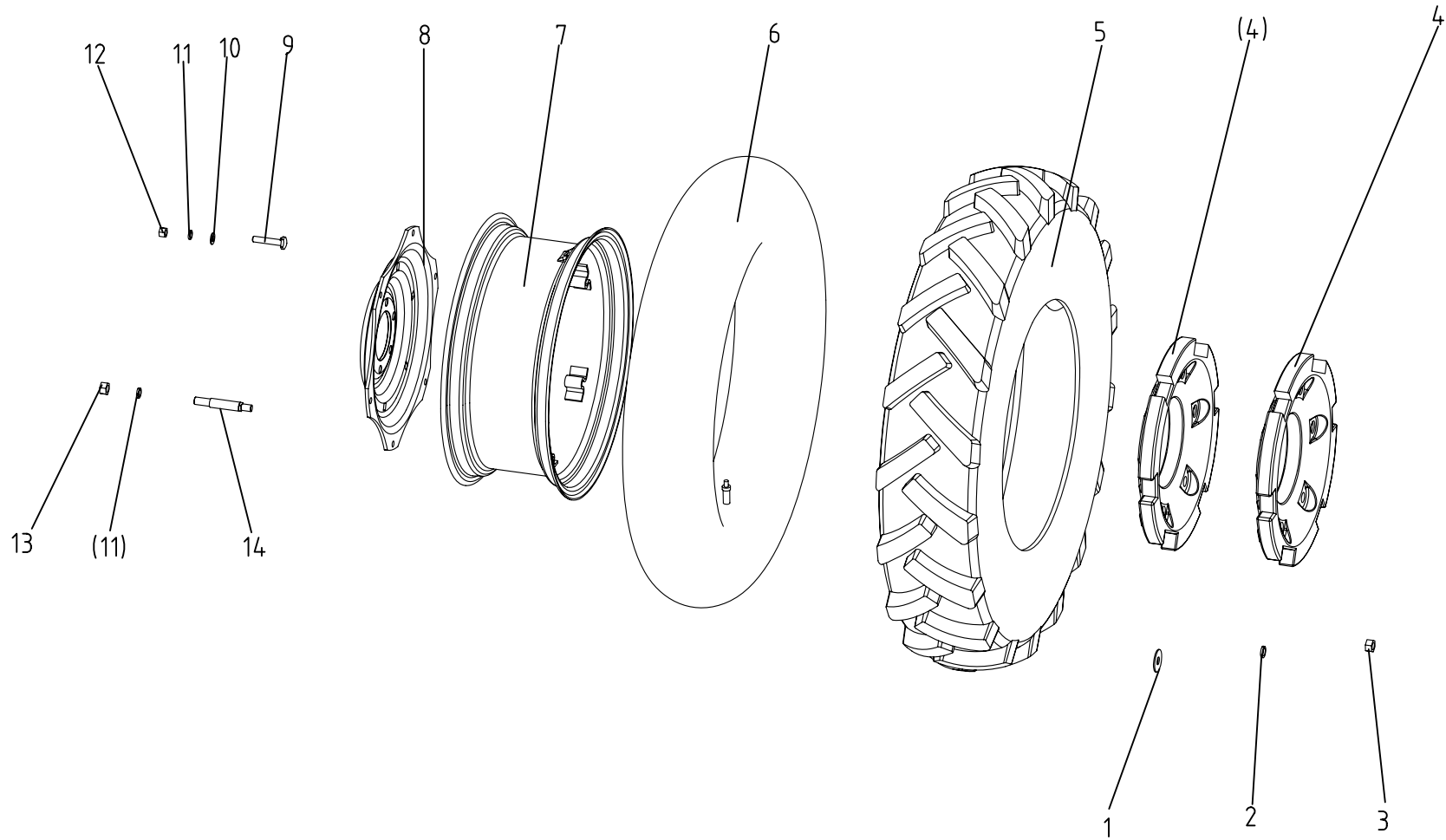


5. A 后驱动轮总成 (10.5/80-18) Rear Drive Wheel (10.5/80-18)

Ser.No.	Part No.	名称及规格	Name & Specifications	Quantity	Remarks
1	250-1.34A.103	配重螺栓	Bolt for ballast	4×2	
2	GB/T96-2002-16	垫圈 16	Large plain washer 16	4×2	
3	GB/T93-1987-16	垫圈 16	Spring lock washer 16	12×2	
4	GB/T6170-2000-M16	螺母M16	Fine thread hex. Nut M16	8×2	
5	GB/T6176-2000-M16×1.5	螺母M16×1.5	Fine thread hex. Nut M16×1.5	4×2	
6	GB/T97.1-2002-16	垫圈 16	plain washer 16	8×2	
7	250-1.34A.101	轮辋螺栓	Attachment bolt	4×2	
8	250-1.34A.102	配重	Rear wheel ballast	2×2	
10	250-1.34A.111	幅板	Disc	1×2	
11	TR501	气门嘴	Valve	1×2	
12	10.5/80-18	R4花纹轮胎	R4-tyre	1×2	



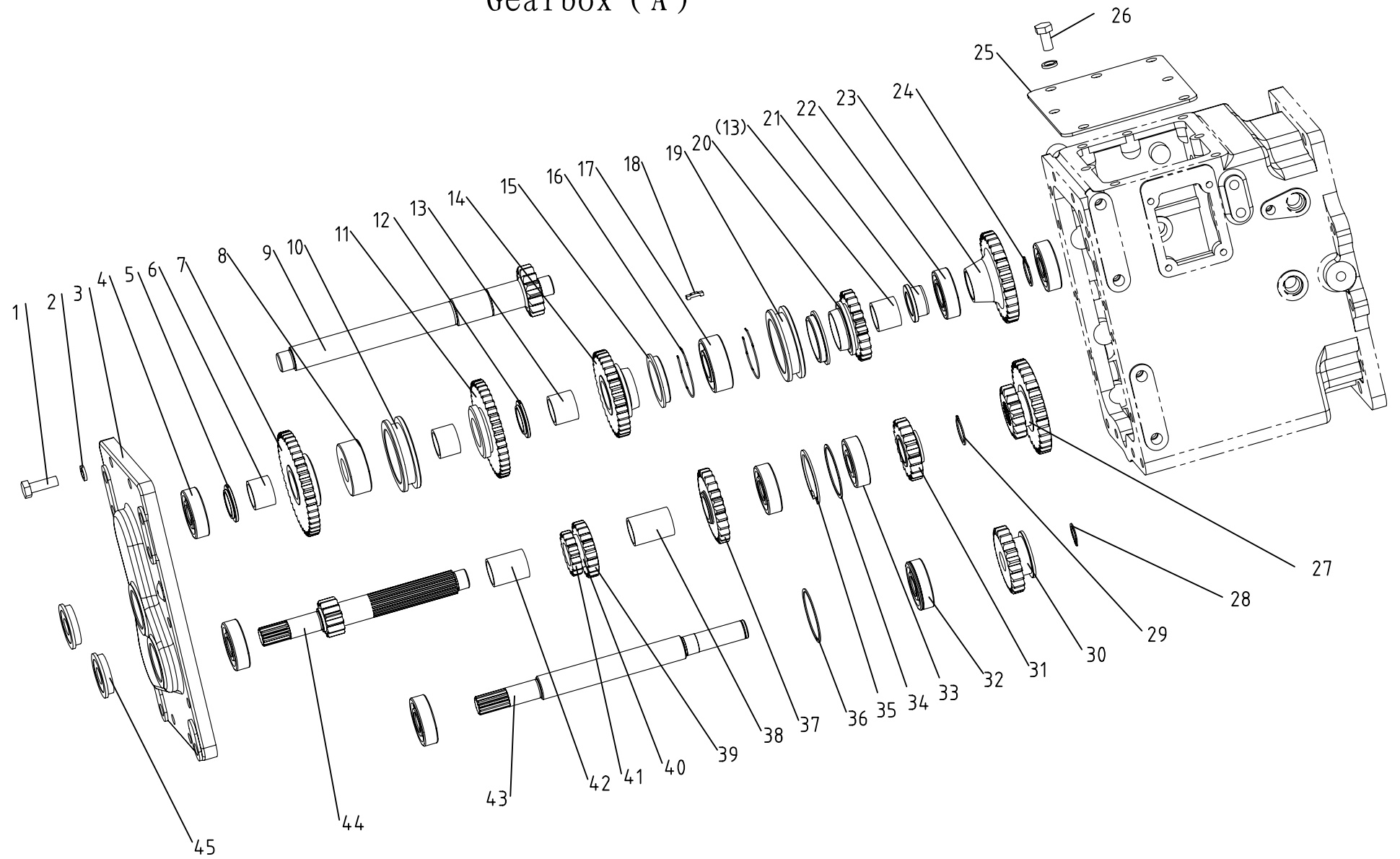
# 5. B 驱动轮总成 Drive Wheel



### 5.B 驱动轮总成 Drive Wheel

Ser.No.	Part No.	名称及规格	Name & Specifications	Quantity	Remarks
1	GB/T96-2002-16	垫圈 16	Large plain washer 16	6	
2	GB/T93-1987-16	垫圈 16	Spring lock washer 16	6	
3	GB/T6170-2000-M16	螺母M16	Fine thread hex. nut M16	6	
4	200.34.103-2	驱动轮配重	Rear wheel ballast	4	
5	GB/T2979-1999-9.50-24	外胎 9.50-24	Tire 9.50-24	1	
6	GB/T2979-1999-9.50-24	内胎 9.50-24	Tube 9.50-24	1	
7	200.34.020-2	轮辋总成	Driving wheel rim	1	
8	200.34.110-2	后轮辐板	Rear wheel disc	1	
9	200.34.115	轮辋螺栓	Catch bolt	6	
10	200.34.117	垫圈 14	Plain washer 14	6	
11	GB/T93-1987-14	垫圈 14	Spring lock washer 14	12	
12	GB/T6176-2000-M14.1.5	螺母M14×1.5	Fine thread hex. nut M14×1.5	6	
13	GB/T6170-2000-M14	螺母M14	Fine thread hex. nut M16	6	
14	200.34.104-2	配重螺栓	Ballast bolt	6	

# 6.1 变速箱总成 (A) Gearbox (A)



### 6.1 变速箱总成 (A) Gearbox (A)

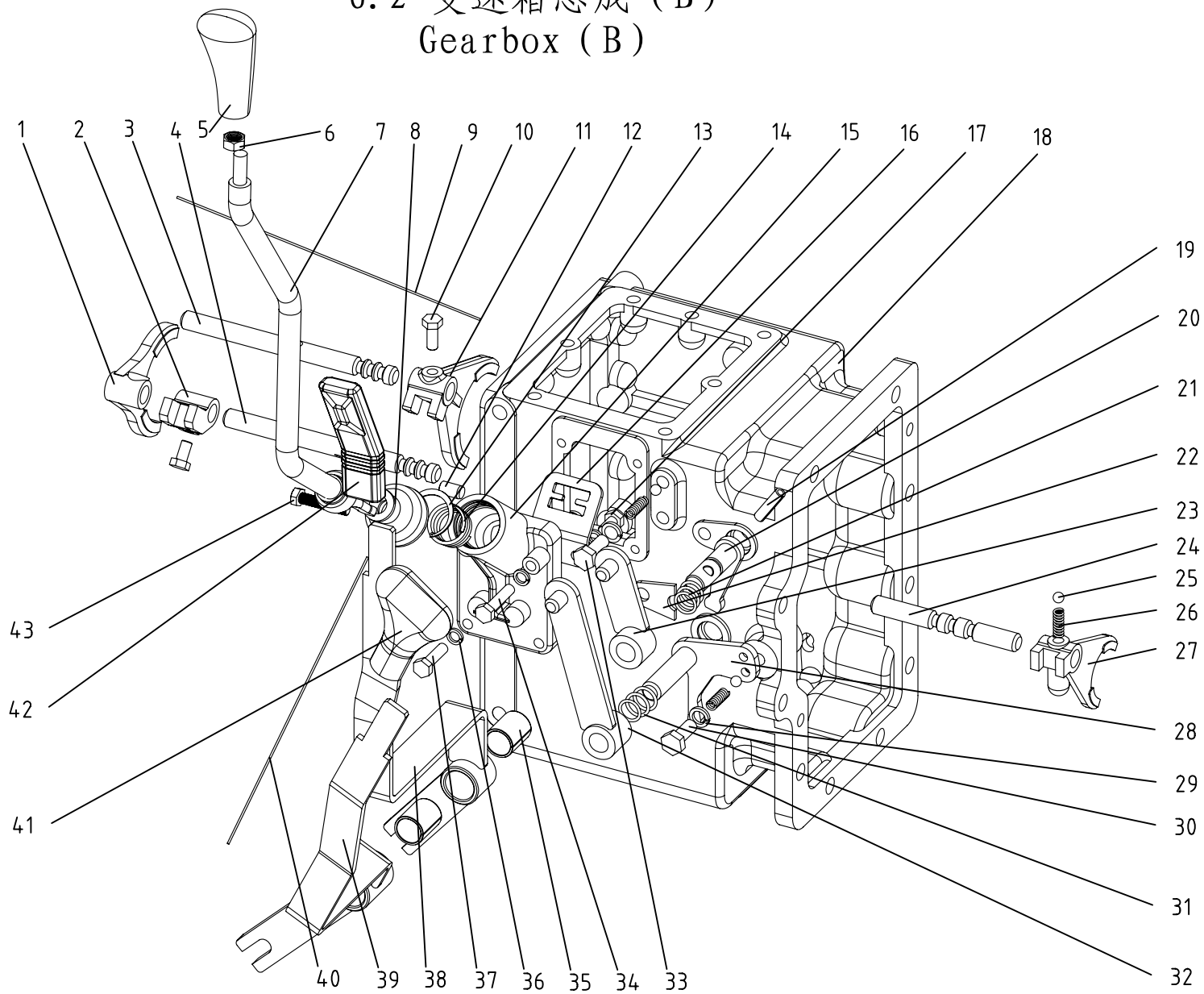
Ser.No.	Part No.	名称及规格	Name & Specifications	Quantity	Remarks
1	GB/T5783-2000-M10×35	螺栓 M10×35	Hex. head bolt M10×35	8	
2	GB/T93-1987-10	垫圈 10	Spring lock washer 10	15	
3	254G3.37.107	前盖板	Front cover plate	1	
4	GB/T276-1994-6304	轴承 6304	Ball bearing 6304	5	
5	254G3.37.106	短隔套	Short spacer	1	
6	254G3.37.105	短衬套	Short bushing block	2	
7	254G3.37.104	I 档被动齿轮	Driven gear, I speed	1	
8	254G3.37.108	啮合套座	Splieing sleeve gear seat	1	
9	254G3.37.131	中间轴	Middle shaft	1	
10	254G3.37.109	啮合套	Sliding gear	1	
11	254G3.37.113	II 档被动齿轮	Driven gear, II speed	1	
12	254G3.37.115	短隔套	Short bush	1	
13	254G3.37.117	长衬套	Long bush	2	
14	254G3.37.116	III 档被动齿轮	Driven gear, III speed	1	
15	254G3.37.118	同步环	Synthronization ring	2	
16	254G3.37.122	弹簧	Spring	2	
17	254G3.37.125	同步器齿座	Synchronizing gear seat	1	
18	254G3.37.121	同步器拨块	Synchronizing shift	3	
19	254G3.37.123	滑动齿套	Sliding gear sleeve	1	
20	254G3.37.126	IV 档被动齿轮	Driven gear, IV speed	1	
21	254G3.37.128	长隔套	Long bush	1	
22	GB/T276-1994-6205	轴承 6205	Ball bearing 6205	1	
23	254G3.37.130	高档主动齿轮	Driving gear, high speed	1	
24	254G3.37.129	轴用挡圈28	Cirelip for shaft 28	1	
25	254G3.37.112	上盖板	Gearbox cover	1	

### 6.1 变速箱总成 (A) Gearbox(A)

续表

Ser.No.	Part No.	名称及规格	Name & Specifications	Quantity	Remarks
26	GB/T5783-2000-M10×20	螺栓 M10×20	Hex. head bolt M10×20	8	
27	254G3.37.133	高低档被动双联齿轮	Driven gear, high-low speed	1	
28	254G3.37.134	轴用挡圈18	Circlip for shaft 18	1	
29	504G3.29.118	挡圈25	Circlip for shaft 25	1	
30	254G3.37.135	前驱动被动齿轮	Driven gear	1	
31	254G3.37.132	前驱动主动齿轮	Driving gear	1	
32	GB/T276-1994-6304-N	轴承 6304-N	Ball bearing 6304-N	1	
33	GB/T292-1994-7304B	角接触滚珠轴承7304B	Ball bearing 7304B	1	
34	254G3.37.233/234/235	调整垫	Adjust mat	按需need	
35	GB/T893.1-1986-52	挡圈 52	Bead flange 52	1	
36	GB/T305-1998-52/57.9	止动环52/57.9	Snap ring 52/57.9	1	
37	254G3.37.136	IV档主动齿轮	Driving gear, IV speed	1	
38	254G3.37.137	输入轴长隔套	Long spacer, input speed	1	
39	254G3.37.138	III档主动齿轮	Driving gear, III speed	1	
40	254G3.37.139	输入轴隔圈	Spacer, input spaft	1	
41	254G3.37.141	II档主动齿轮	Driving gear, II speed	1	
42	254G3.37.142	输入轴短隔套	Spacer, input speed	1	
43	254G3.37.102	前驱动传动轴	Transmission shaft	1	
44	254G3.37.103	输入轴	Input spaft	1	
45	254G3.37.011	密封圈20×40×7	Seal ring 20×40×7	2	

## 6.2 变速箱总成 (B) Gearbox (B)



## 6.2 变速箱总成 (B) Gearbox (B)

Ser.No.	Part No.	名称及规格	Name & Specifications	Quantity	Remarks
1	254G3.37.155	I—II档拨叉	I—II fork	1	
2	254G3.37.147	I—II档拨头	I—II sliding block	1	
3	254G3.37.145	III—IV档拨叉轴	Shaft, III—IV fork	1	
4	254G3.37.144	I—II档拨叉轴	Shaft, I—II fork	1	
5	254G3.37.153	主变速换档杆手柄总成	Main shift lever handle	1	
6	GB/T6172-200-M10	螺母 M10	hexagon nut M10	1	
7	254G3.37.012	主变速操纵杆焊合件	Main shift up lever	1	
8	254G3.37.152	防尘罩	dust cap	1	
9	GB/T3083-1982-Zd1.4×250	镀锌钢丝Zd1.4×250	bethanized wire Zd1.4×250	3	
10	254G3.37.146	紧定螺钉	attachment screw	3	
11	254G3.37.143	III—IV档拨叉	III—IV fork	1	
12	GB/T119.2-2000- B10×18	销 B10×18	round pin B10×18	4	
13	GB/T893.1-1986-34	挡圈 34	bead flange 34	1	
14	254G3.37.151	变速杆弹簧	gearlever spring	1	
15	254G3.37.149	主变速座	Main shift seat	1	
16	254G3.37.148	主变速导向板	Main shift plate	1	
17	GB/T5783-2000-M8×16	螺栓 M8×16	Hex. head bolt M8×16	2	
18	254G3.37.101	变速器壳体	Gearbox housing	1	
19	GB/T879.4-2000-8×30	销 8×30	Dowel pin 8×30	2	
20	254G3.37.015	副变速拨杆焊合件	Shift lever	1	
21	254G3.37.166	挡圈	Dead flange	2	
22	254G3.37.161	拨叉轴定位板	Positioning plate	1	
23	254G3.37.018	副变速摇臂焊合件	ARange gear controlling shaft	1	
24	254G3.37.164	副变速拨叉轴	Shaft, assistant shif fork	1	
25	GB/T308-1989-8	钢球 8	Lock ball 8	4	

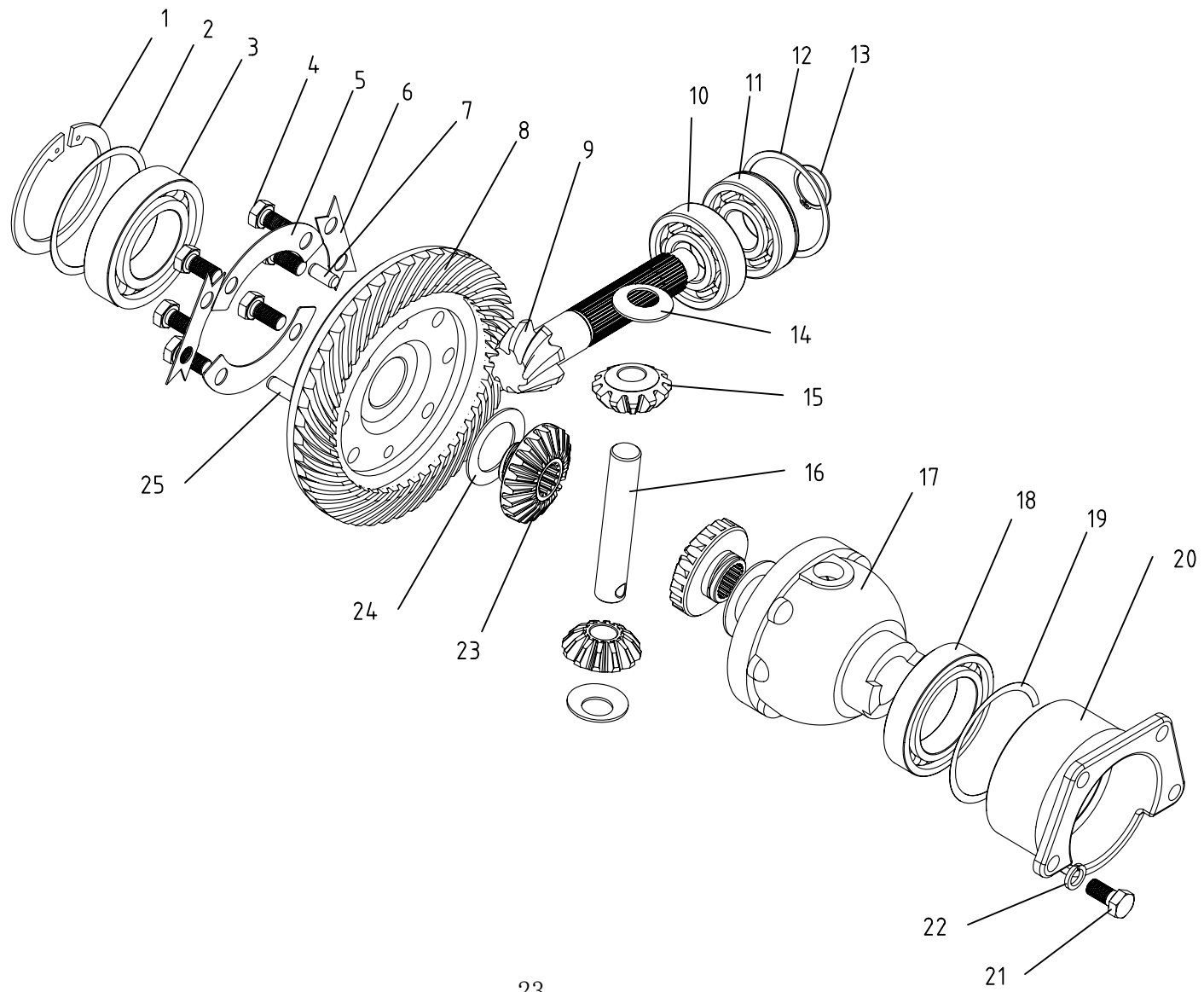
## 6.2 变速箱总成 (B) Gearbox (B)

续表

Ser.No.	Part No.	名称及规格	Name & Specifications	Quantity	Remarks
26	254G3.37.163	定位弹簧	Positioning spring	4	
27	254G3.37.162	副变速拨叉	Assistant Shifting fork	1	
28	254G3.37.013	前驱动换档拨叉焊合件	Shif fork	1	
29	JB982-1977-10	组合密封垫圈 10	Combined packing washer 10	3	
30	254G3.37.169	前驱动定位螺栓	Positioning bolt	1	
31	GB/T3452.1-1992-16×2.65G	O型圈16×2.65G	O-ring seal 16×2.65G	4	
32	254G3.37.019	前驱动摇臂焊合件	Controlling shaft	1	
33	254G3.37.168	主变速定位螺栓	Main shift postioning bolt	2	
34	GB/T5782-2000-M8×50	螺栓M8×50	Hex. head bolt M8×50	2	
35	254G3.37.210	衬套	Bush	2	
36	GB/T93-1987-8	垫圈 8	plain washer 8	6	
37	GB/T5783-2000-M8×30	螺栓 M8×30	Hex. head bolt M8×30	2	
38	254G3.37.023	副变速操纵杆焊合件	Range gear shift lever	1	
39	254G3.37.025	前驱动操纵杆焊合件	Operating lever	1	
40	GB/T3083-1982-Zd1.5×200	镀锌钢丝Zd1.5×200	bethanized wire Zd1.5×200	1	
41	254G3.37.220	前驱动操纵手柄总成	Handle	1	
42	254G3.37.211	副变速换挡杆手柄总成	Handle	1	
43	254G3.37.160	主变速紧定螺钉	Fixing bolt	1	



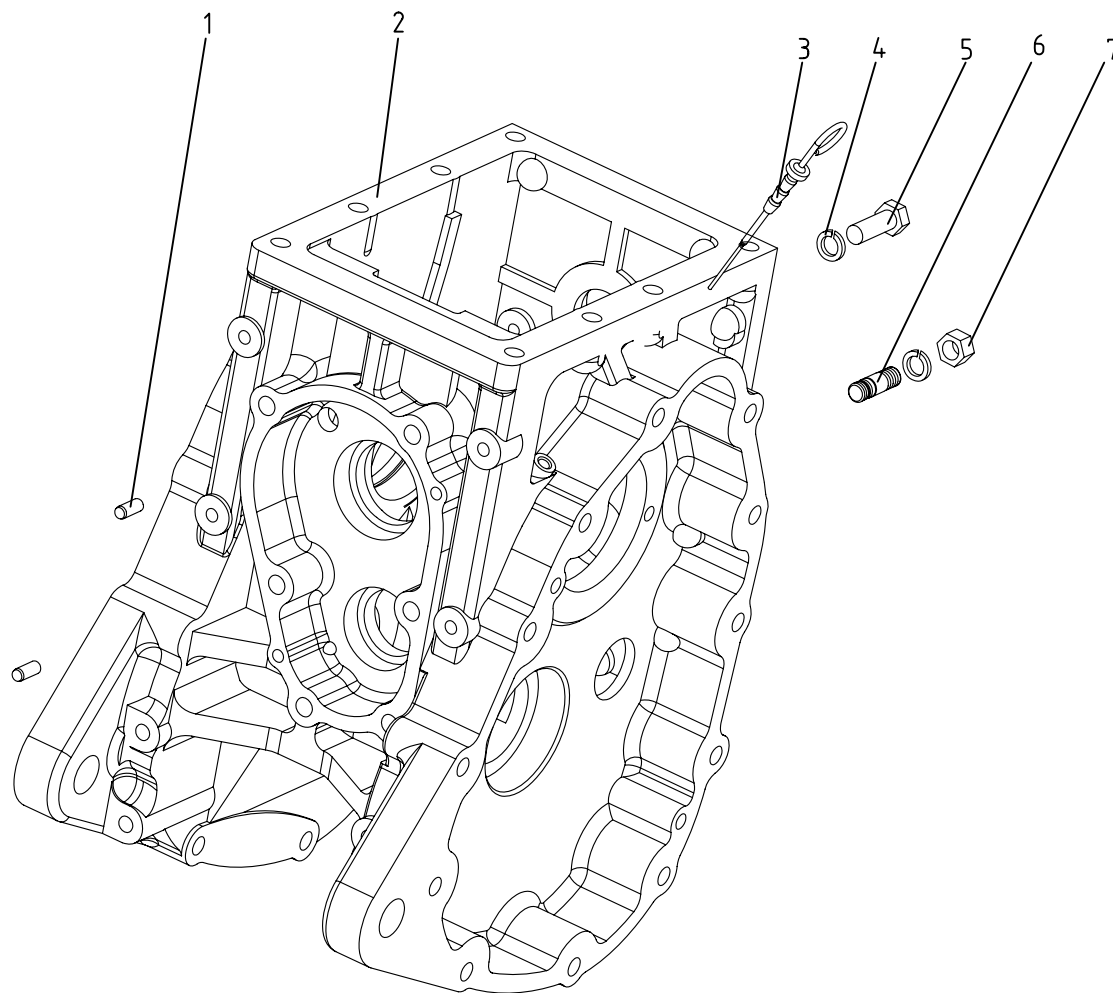
# 7.1 后桥总成 (A) Rear Axle (A)



### 7.1 后桥总成 (A) Rear Axle (A)

Ser.No.	Part No.	名称及规格	Name & Specifications	Quantity	Remarks
1	GB/T893.2-1986-85	挡圈 85	Circlip for hole 85	1	
2	254G3.38.114/114/115/116	大调整垫片	Big adjusting shims	按需need	
3	GB/T276-1994-6209	轴承6209	Ball bearing 6209	1	
4	GB/T5786-2000-M10×1×25	螺栓M10×1×25	Hex. head bolt M10×1×25	6	
5	254G3.38.126	锁紧垫片II	Lock piece II	2	
6	254G3.38.125	锁紧垫片I	Lock piece I	2	
7	GB/T119.2-2000-B8×18	销B8×18	Round pin B8×18	1	
8	254G3.38.133	主传动被动圆锥齿轮	Spiral-bevel gear	1	
9	254G3.38.103	主传动主动圆锥齿轮	Shank-type spiral bevel pinion	1	
10	GB/T276-1994-6305	轴承 6305	Ball bearing 6305	1	
11	GB/T276-1994-6305N	轴承 6305N	Ball bearing 6305N	1	
12	GB/T305-1998-62/67.7	止动环62/67.7	Stop ring 62/67.7	1	
13	254G3.38.102	挡圈 25	Bead flange 25	1	
14	254G3.38.132	行星齿轮垫片	Planet gear shim	2	
15	254G3.38.130	行星齿轮	Planet gear	2	
16	254G3.38.131	行星轴	Planet gear shaft	1	
17	254G3.38.127	差速器壳体	Differential housing	1	
18	GB/T276-1994-6010	轴承6010	Ball bearing 6010	1	
19	254G3.38.111/112/113	小调整垫片	Little adjusting shims	按需need	
20	254G3.38.110	差速器轴承座	Differential case cover	1	
21	GB/T5783-2000-M10×20	螺栓M10×20	Hex. head bolt M10×20	4	
22	GB/T93-1987-10	垫圈 10	Spring lock washer 10	4	
23	254G3.38.129	半轴齿轮	Half shaft gear	2	
24	254G3.38.128	半轴齿轮垫片	Shim,half shaft gear	2	
25	GB/T119.2-2000-B8×40	销B8×40	Round pin B8×40	1	

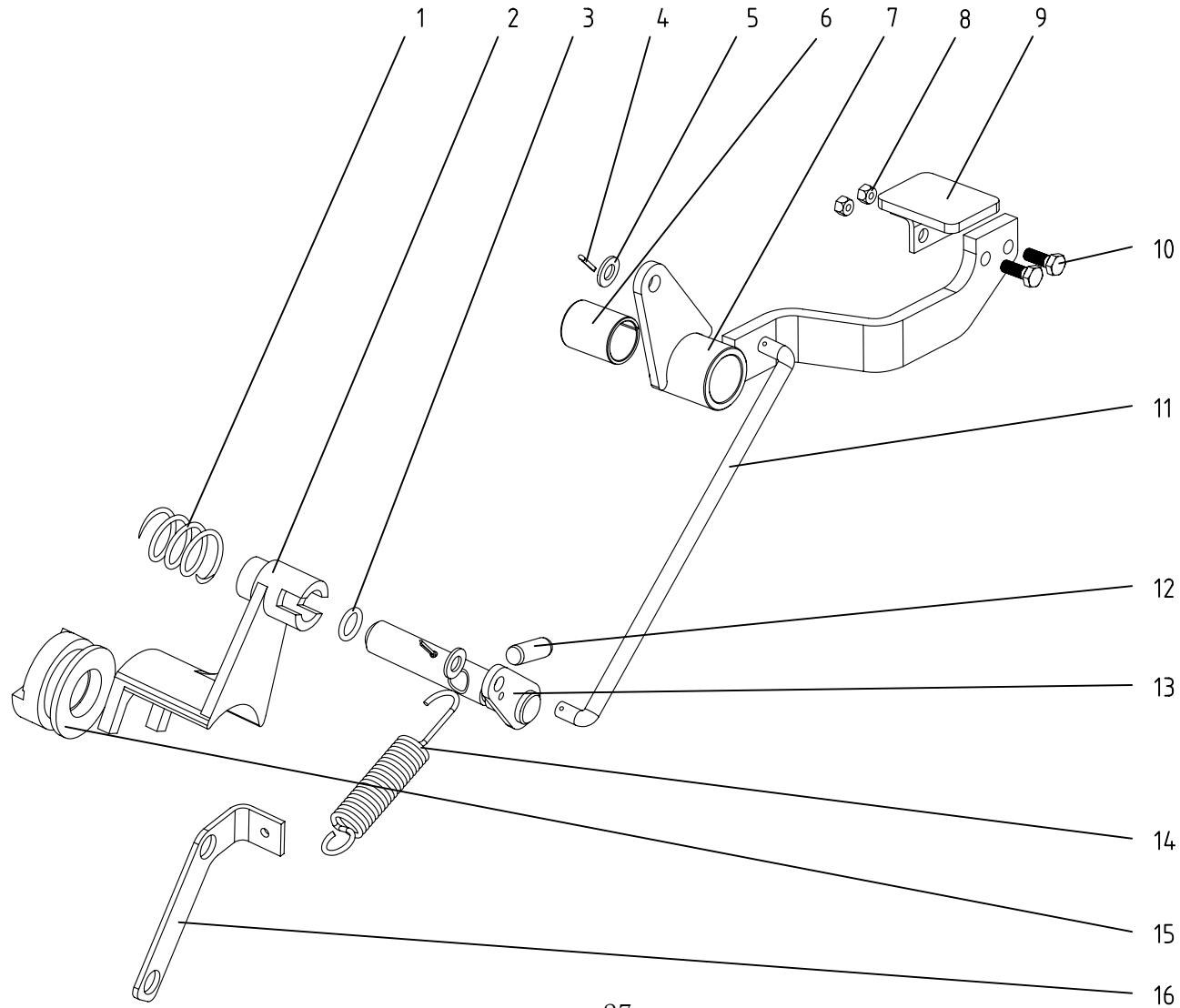
## 7.2 后桥总成 (B) Rear Axle (B)



## 7.2 后桥总成 (B) Rear Axle (B)

Ser.No.	Part No.	名称及规格	Name & Specifications	Quantity	Remarks
1	GB/T119.2-2000-B8×20	销 B8×20	Straight pin B8×20	2	
2	254G3.38.101	后桥壳体	Rear axle case	1	
3	254G3.38.013	油尺合件	Dipstick	1	
4	GB/T93-1987-12	垫圈 12	Spring lock washer 12	10	
5	GB/T5783-2000-M12×35	螺栓M12×35	Hex. head bolt M12×35	8	
6	GB/T899-1988-M12×32	螺柱M12×32	studs M12×32	2	
7	GB/T6170-2000-M12	螺母M12	hexagon nut M12	2	

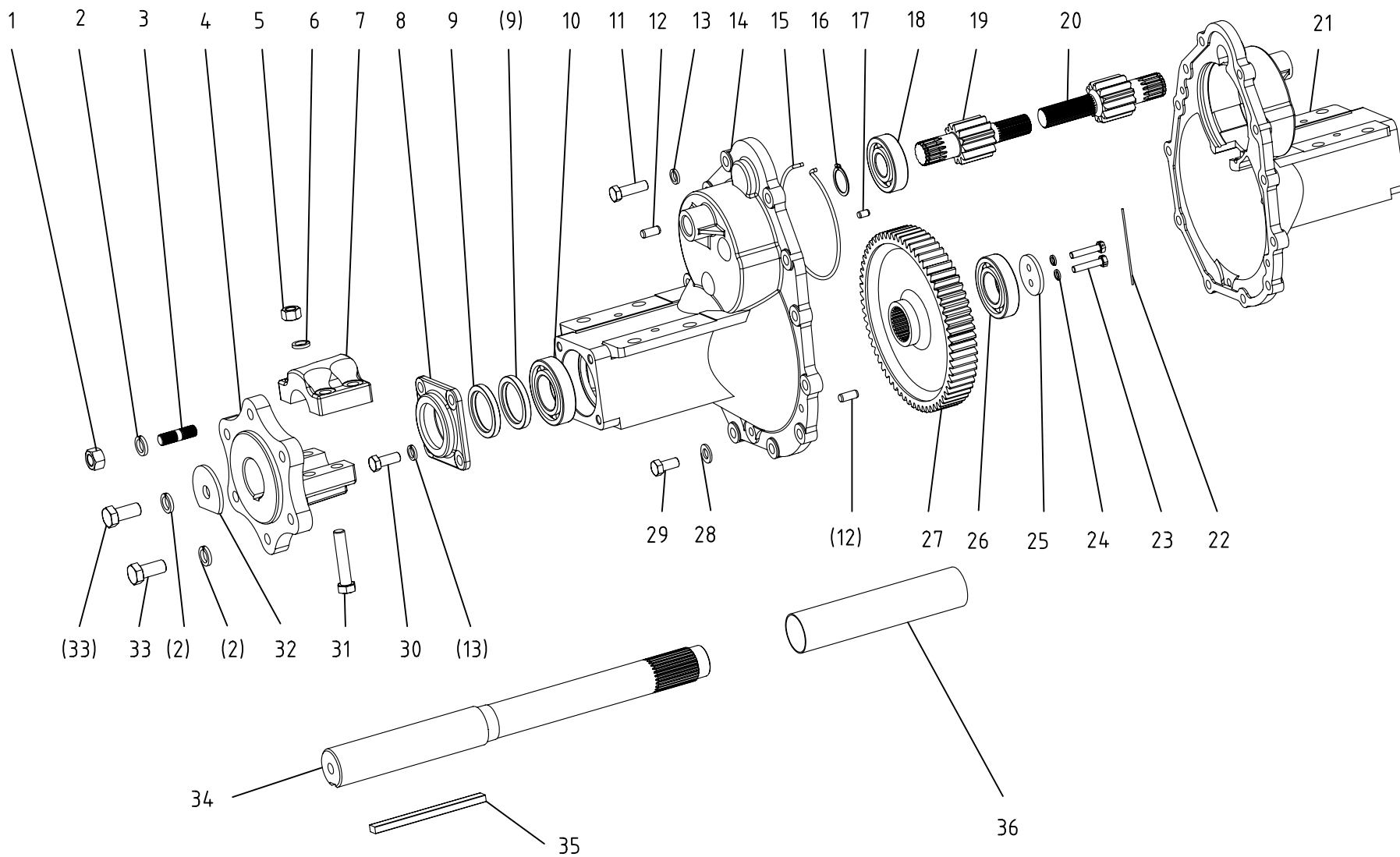
### 7.3 差速锁总成 Differential Lock



### 7.3 差速锁总成 Differential Lock

Ser.No.	Part No.	名称及规格	Name & Specifications	Quantity	Remarks
1	254G3.38.107	拨叉弹簧	Spring	1	
2	254G3.38.108	差速锁拨叉	Shifting fork	1	
3	GB/T3452.1-1992-12.5×2.65	O型密封圈 12.5×2.65	O-ring seal 12.5×2.65	1	
4	GB/T91-2000-2×14	销2×14	Cotter 2×14	2	
5	GB/T97.1-2002-8	垫圈 8	Plain washer 8	2	
6	254G3.37.210	衬套	Bush	1	
7	254G3.38.016	差速器踏杆焊合件	Foot control lever weldment	1	
8	GB/T6184-2000-M6	锁紧螺母M6	Hex. nut M6	2	
9	254G3.38.143	差速踏板	Foot control board	1	
10	GB/T5783-2000-M6×16	螺栓M6×16	Hex. head bolt M6×16	2	
11	254G3.38.117	拉杆	Foot control lever	1	
12	GB/T119.2-2000-B10×28	销 B10×28	round pin B10×28	1	
13	254G3.38.012	拨叉轴焊合件	Fork shaft	1	
14	254G3.38.118	副离合回位弹簧	Returning spring	1	
15	254G3.38.109	啮合套	Splicing sleeve	1	
16	254G3.38.134	弹簧安装座	Spring plate	1	

# 8 最终传动总成 Final transmission



## 8 最终传动总成      Final Transmission

Ser.No.	Part No.	名称及规格	Name & Specifications	Quantity	Remarks
1	GB/T6170-2000-M16	螺母 M16	Hex. Nut M16	4	
2	GB/T93-1987-16	垫圈 16	Spring lock washer 16	14	
3	200.39.205	螺柱	Studs	4	
4	254G3.39.116	轮毂	Wheel hub	2	
5	GB/T6170-2000-M14	螺母 M14	Hex. Nut M14	8	
6	GB/T93-1987-14	垫圈 14	Spring lock washer 14	8	
7	254G3.39.115	轴承盖	Bearing cap	2	
8	254G3.39.112	半轴油封座	Half shaft-oil seal bracket	2	
9	GB/T9877.1-1988-FB50×68×8	油封 FB50×68×8	Oil seal FB50×68×8	4	
10	GB/T276-1994-6209	轴承 6209	Bearing 6209	2	
11	GB/T5783-2000-M12×40	螺栓 M12×40	Hex. head bolt M12×40	24	
12	GB/T119-2000-10×25	销 10×25	Pin 10×25	4	
13	GB/T93-1987-12	垫圈 12	Spring lock washer 12	32	
14	254G3.39.101	左半轴壳体	Left half shaft body case	1	
15	254G3.39.107	卡簧	Circlip	2	
16	GB/T894.1-1986-30	挡圈 30	Circlip for shaft 30	2	
17	GB/T119.1-2000-8×12	销 8×12	Pin 8×12	2	
18	GB/T276-1994-6306	轴承 6306	Bearing 6306	2	
19	254G3.39.102	左主动齿轮	Left drive gear	1	
20	254G3.39.105	右主动齿轮	Rigt drive gear	1	
21	254G3.39.110	右半轴壳体	Rigt half shaft body case	1	
22	GB/T3083-1982-zd2×100	镀锌钢丝 zd2×100	Galvanized wire zd2×100	2	
23	GB/T32.1-1988-M8×20	螺栓 M8×20	Hex. head bolt M8×20	4	
24	GB/T93-1987-8	垫圈 8	Spring lock washer 8	4	
25	254G3.39.103	挡圈	Circlip for shaft	2	

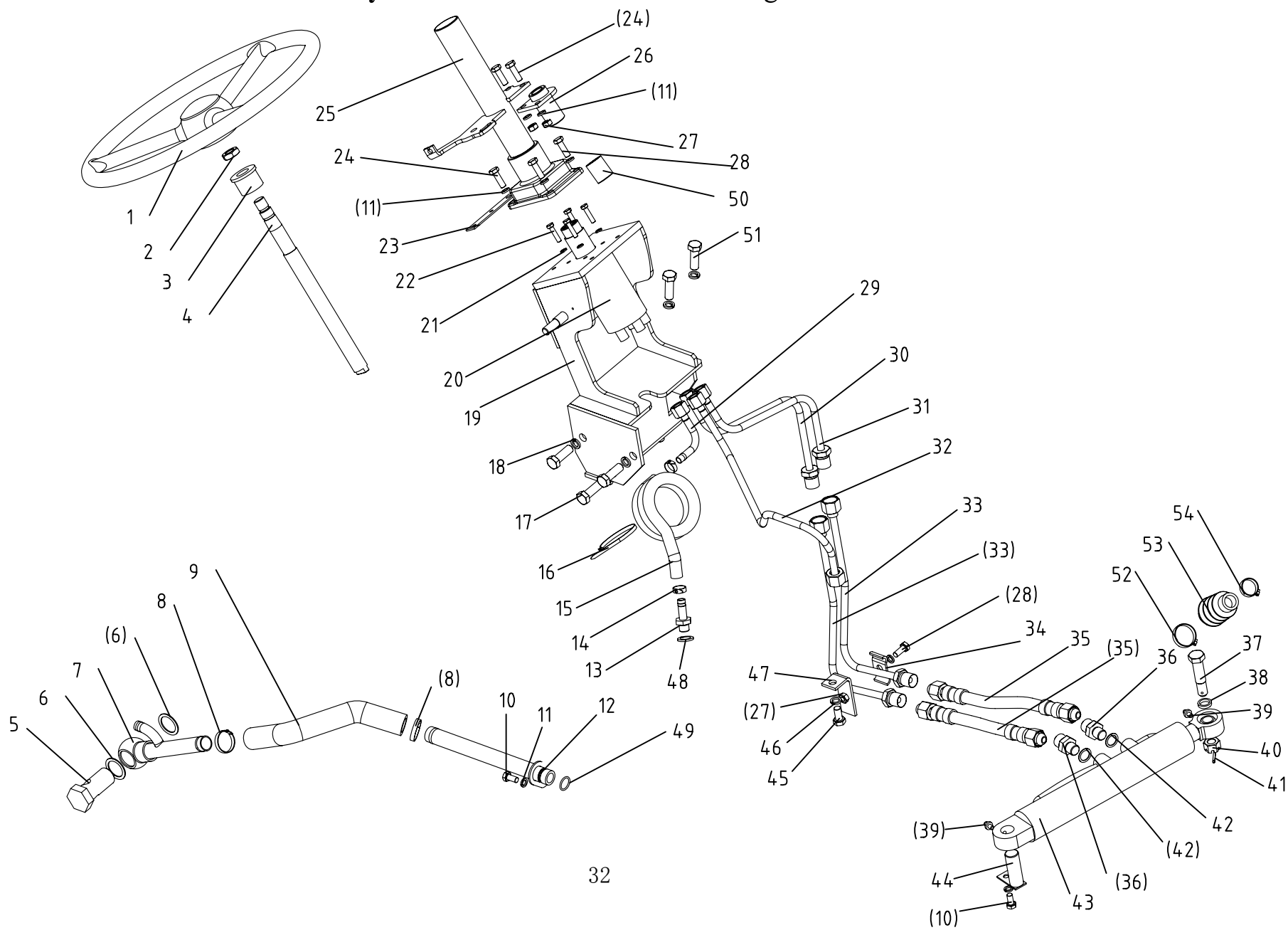


## 8 最终传动总成      Final Transmission

续表

Ser.No.	Part No.	名称及规格	Name & Specifications	Quantity	Remarks
26	GB/T294-1994-6208	轴承 6208	Bearing 6208	2	
27	254G3.39.104	被动齿轮	Driven gear	2	
28	JB/T982-1977-12	垫圈 12	Washer 12	2	
29	GB/T5786-2000-M12×1.5×12	螺栓 M12×1.5×12	Hex. head bolt M12×1.5×12	2	
30	GB/T5783-2000-M12×30	螺栓 M12×30	Hex. head bolt M12×30	8	
31	GB/T5782-2000-M14×75	螺栓 M14×75	Hex. head bolt M14×75	8	
32	200.39.206	挡圈	Circlip for shaft	2	
33	GB/T5783-2000-M16×35	螺栓 M16×35	Hex. head bolt M16×35	10	
34	254G3.39.108	半轴	Half shaft	2	
35	GB/T1096-2003-B14×110	键 B14×110	Bond B14×110	2	
36	254G3.39.109	隔套	Bushing	2	

# 9 液压转向系统总成 Full Hydraulic Power Steering Gear



9 液压转向系统总成 Full Hydraulic Power Steering Gear

Ser.No.	Part No.	名称及规格	Name & Specifications	Quantity	Remarks
1	200.40.015	方向盘总成	Steering wheel assy	1	
2	GB/T6171-2000-M16×1.5	螺母 M16×1.5	Hex. nut M16×1.5	1	
3	304.40.112	橡胶轴承	Rubber sleeve	1	
4	254G3.40.126	转向轴	Steering shaft	1	
5	254G3.40.101	铰接螺栓 M27×2	Hollow bolt M27×2	1	
6	JB/T982-1977-27	组合垫圈 27	Copper washer 27	2	
7	254G3.40.011	系统回油管后段焊合件	Oil return pipe-rear part	1	
8	JB/T8870-1999-2A(25-38)	喉箍 2A(25-38)	Hoop 2A ( 25-38 )	2	
9	254G3.40.102	输油胶管	Lose the soft tube of oil	1	
10	GB/T5783-2000-M8×16	螺栓 M8×16	Hex. head bolt M8×16	2	
11	GB/T93-1987-8	垫圈 8	Spring lock washer 8	9	
12	254G3.40.012	系统回油管前段焊合件	Oil return pipe-front part	1	
13	254G3.40.105	转向器回油管接管	Connector of oil return pipe	1	
14	JB/T8870-1999-2A(13-20)	喉箍 2A(13-20)	Hoop 2A ( 13-20 )	4	
15	JB/T6015-2000-10-800	胶管 10-800	Rubber pipe 10-800	1	
16	ZD150×8	可松开式锁式扎带	Fixed ties	1	
17	GB/T5783-2000-M12×35	螺栓 M12×35	Hex. head bolt M12×35	3	
18	GB/T93-1987-12	垫圈 12	Spring lock washer 12	5	
19	254G3.40.024	转向器支架焊合件	Bracket weldment	1	
20	109R-1-50-08-D	全液压转向器	Full hydraulic steering gear	1	
21	GB/T93-1987-6	垫圈 6	Spring lock washer 6	4	
22	GB/T5783-2000-M6×25	螺栓 M6×25	Hex. head bolt M6×25	4	
23	254G3.40.173	调节器固定板	Adjustment fix plate	1	
24	GB/T5783-2000-M8×25	螺栓 M8×25	Hex. head bolt M8×25	3	
25	254G3.40.023	转向管柱焊合件	Steering column weldment	1	

## 9 液压转向系统总成 Full Hydraulic Power Steering Gear

续表

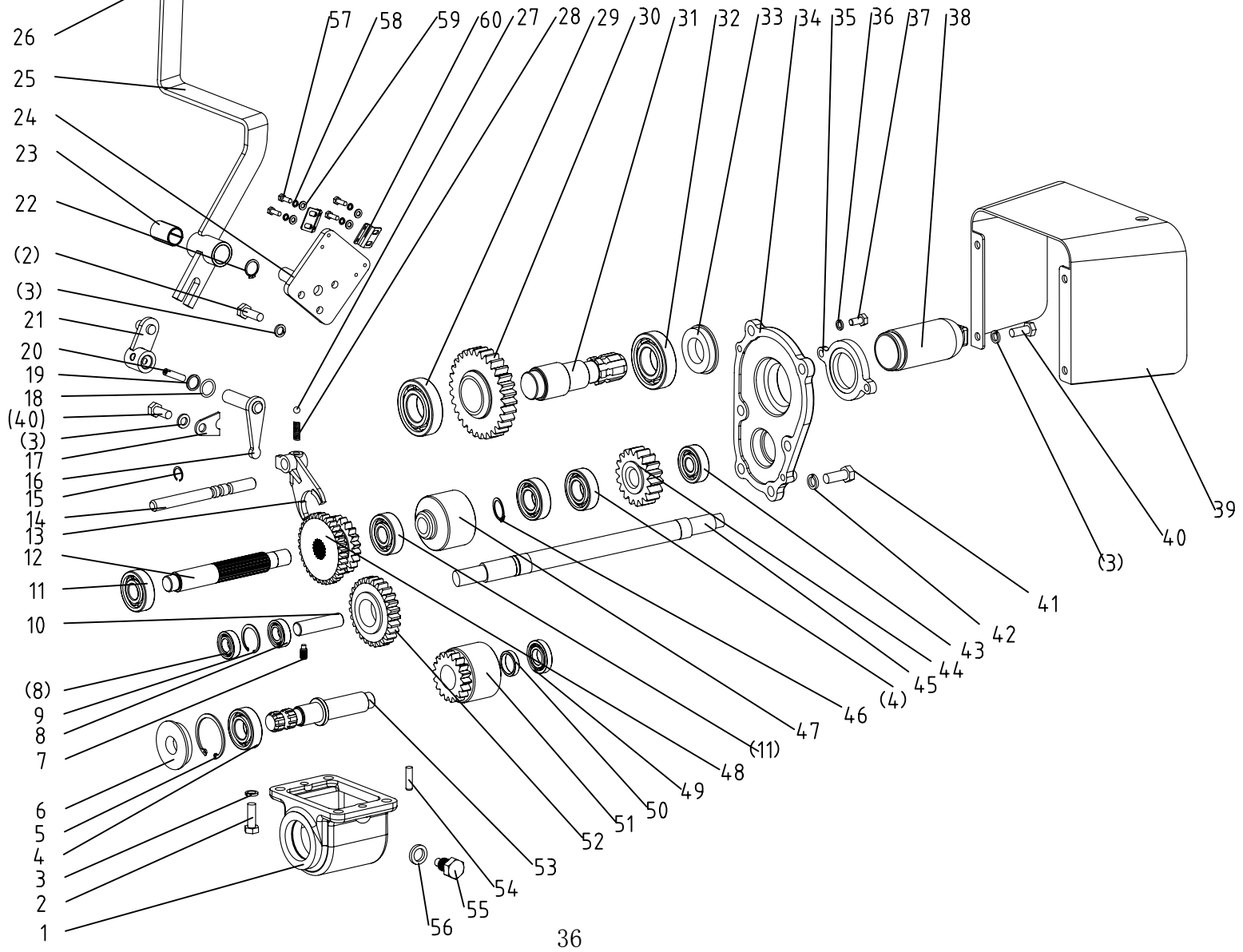
Ser.No.	Part No.	名称及规格	Name & Specifications	Quantity	Remarks
26	254G3.40.025	梭行挡安装板焊合件	Shift fix plate	1	
27	GB/T6170-2000-M8	螺母M8	Hex. nut M8	3	
28	GB/T5783-2000-M8×20	螺栓M8×20	Hex. head bolt M8×20	4	
29	254G3.40.016	转向器回油管焊合件	Oil return pipe assy	1	
30	254G3.40.018	转向油缸油管焊合件 (二)	Steering cylinder pipe(2)	1	
31	254G3.40.017	转向油缸油管焊合件 (一)	Steering cylinder pipe(1)	1	
32	254G3.40.013	转向器进油管焊合件	Oil delivery pipe weldment	1	
33	254G3.40.014	转向油缸管前段焊合件	Oil delivery pipe weldment,front part	2	
34	254G3.40.106	管夹	Clamping plate	1	
35	550.40.023	软管总成	Hose assembly	2	
36	550.40.102	过渡接头	Connecting joint	2	
37	GB/T28-1988-M14×65	螺栓M14×65	Hex. head bolt M14×65	1	
38	254G3.40.120	隔套	Press-in sleeve	1	
39	JB/T7940.2-1995-45°M6	油杯45° M6	Angle grease nipple 45°M6	1	
40	GB/T6181-1986-M14	螺母 M14	Hex. nut M14	1	
41	GB/T91-2000-3.2×28	销 3.2×28	Split pin 3.2×28	1	
42	JB/T982-1977-16	组合垫圈16	Copper washer 16	2	
43	254G3.40.021	油缸总成	Steering cylinder assy	1	
44	254G3.40.022	油缸固定销焊合件	Fix pin	1	
45	GB/T5783-2000-M10×20	螺栓M10×20	Hex. head bolt M10×20	1	
46	GB/T93-1987-10	垫圈10	Spring lock washer 10	1	
47	254G3.40.103	管夹安装板	Fix plate	1	
48	JB/T982-1977-14	组合垫圈14	Copper washer 14	1	
49	GB/T3452.1-1992-17×2.65	O型圈17×2.65	O-ring seal 17×2.65	1	

9 液压转向系统总成 Full Hydraulic Power Steering Gear

续表

Ser.No.	Part No.	名称及规格	Name & Specifications	Quantity	Remarks
50	254G3.40.134	衬套	Bush	2	
51	GB/T5783-2000-M12×30	螺栓 M12×30	Hex. head bolt M12×30	2	
52	JB/T8870-1999-2A (44-64)	喉箍 2A (44-64)	Hoop 2A (44-64)	1	
53	304.40A.017	软管总成	Hose assy	1	
54	JB/T8870-1999-2A(19-29)	喉箍 2A (19-29)	Hoop 2A (19-29)	1	

# 10 动力输出总成 PTO



## 10 动力输出总成 PTO

Ser.No.	Part No.	名称及规格	Name & Specifications	Quantity	Remarks
1	254G3.41.126	中置动力输出壳体	PTO gearhousing	1	
2	GB/T5783-2000-M10×30	螺栓M10×30	Hex. head bolt M10×30	7	
3	GB/T93-1987-10	垫圈 10	Spring lock washer 10	10	
4	GB/T276-1994-6205	轴承 6205	Ball bearing 6205	3	
5	GB/T893.1-1986-52	挡圈 52	Circlip for hole 52	1	
6	254G3.41.124	油封 FB25×52×9	Oil seal FB25×52×9	1	
7	GB/T75-1985-M8×16	螺钉M8×16	attachment screw M8×16	1	
8	GB/T276-1994-6003	轴承 6003	Ball bearing 6003	2	
9	GB/T893.1-1986-35	挡圈 35	Circlip for hole 35	1	
10	254G3.41.106	中间齿轮轴	Middle shaft	1	
11	GB/T276-1994-6304	轴承 6304	Ball bearing 6304	2	
12	254G3.41.101	动力输出转动轴 I	Driving gear I	1	
13	254G3.41.103	动力输出拨叉	Shift fork	1	
14	254G3.41.105	拨叉轴	Shift fork shaft	1	
15	GB/T893.1-1986-14	挡圈 14	Circlip for hole 14	1	
16	254G3.41.015	摇臂转轴焊合件	Controlling shaft	1	
17	254G3.37.161	拨叉轴定位板	Shaft fork positioning plate	1	
18	GB/T3452.1-1992-16×2.65	O形圈 16×2.65	O-ring seal 16×2.65	2	
19	254G3.37.166	挡圈	Blocking ring	1	
20	GB/T879.1-2000-8×30	销 8×30	Slotted spring pin 8×30	1	
21	254G3.41.014	中间转轴焊合件	Controlling shaft	1	
22	GB/T894.1-1986-20	挡圈 20	Circlip for shaft 20	1	
23	254G3.41.132	衬套	Bush	1	
24	254G3.41.012-1	固定轴焊合件	Fixing shaft	1	
25	254G3.41.016	动力输出操纵杆焊合件	PTO control lever	1	

## 10 动力输出总成 PTO

续表

Ser.No.	Part No.	名称及规格	Name & Specifications	Quantity	Remarks
26	254G3.41.109	后置动力输出操纵手柄	PTO control handle	1	
27	GB/T308-2002-8	钢球8	Steel ball 8	1	
28	254G3.37.163	定位弹簧	Shift fork positioning spring	1	
29	GB/T276-1994-6007	轴承 6007	Ball bearing 6007	1	
30	254G3.41.112	后置动力输出从动齿轮	Driven gear	1	
31	254G3.41.117-1	后置动力输出轴	PTO shaft	1	
32	GB/T276-1994-6307	轴承 6307	Ball bearing 6307	1	
33	254G3.41.114	油封 FB35×55×9	Oil seal FB35×55×9	1	
34	254G3.41.113	后置动力输出盖板	Cover	1	
35	254G3.41.107	防护罩安装板	Plate	1	
36	GB/T93-1987-8	垫圈 8	Spring lock washer 8	2	
37	GB/T5783-2000-M8×25	螺栓M8×25	Hex. head bolt M8×25	2	
38	450.38.120-1	输出轴防护罩	PTO shaft safety cover	1	
39	254G3.41.013	防护罩焊合件	PTO shaft safety cover	1	
40	GB/T5783-2000-M10×20	螺栓M10×20	Hex. head bolt M10×20	4	
41	GB/T5783-2000-M12×30	螺栓M12×30	Hex. head bolt M12×30	6	
42	GB/T93-1987-12	垫圈 12	Spring lock washer 12	10	
43	GB/T276-1994-6303	轴承 6303	Ball bearing 6303	1	
44	254G3.41.118	后置动力输出主动齿轮	PTO gear	1	
45	254G3.41.110	动力输出传动轴 II	Driving gear shaft II	1	
46	GB/T894.1-1986-25	挡圈25	Circlip for shaft 25	1	
47	254G3.41.017	动力输出超越离合器	PTO clutch	1	
48	254G3.41.102	滑动齿轮	Sliding gear	1	
49	GB/T276-1994-6004	轴承 6004	Ball bearing 6004	1	

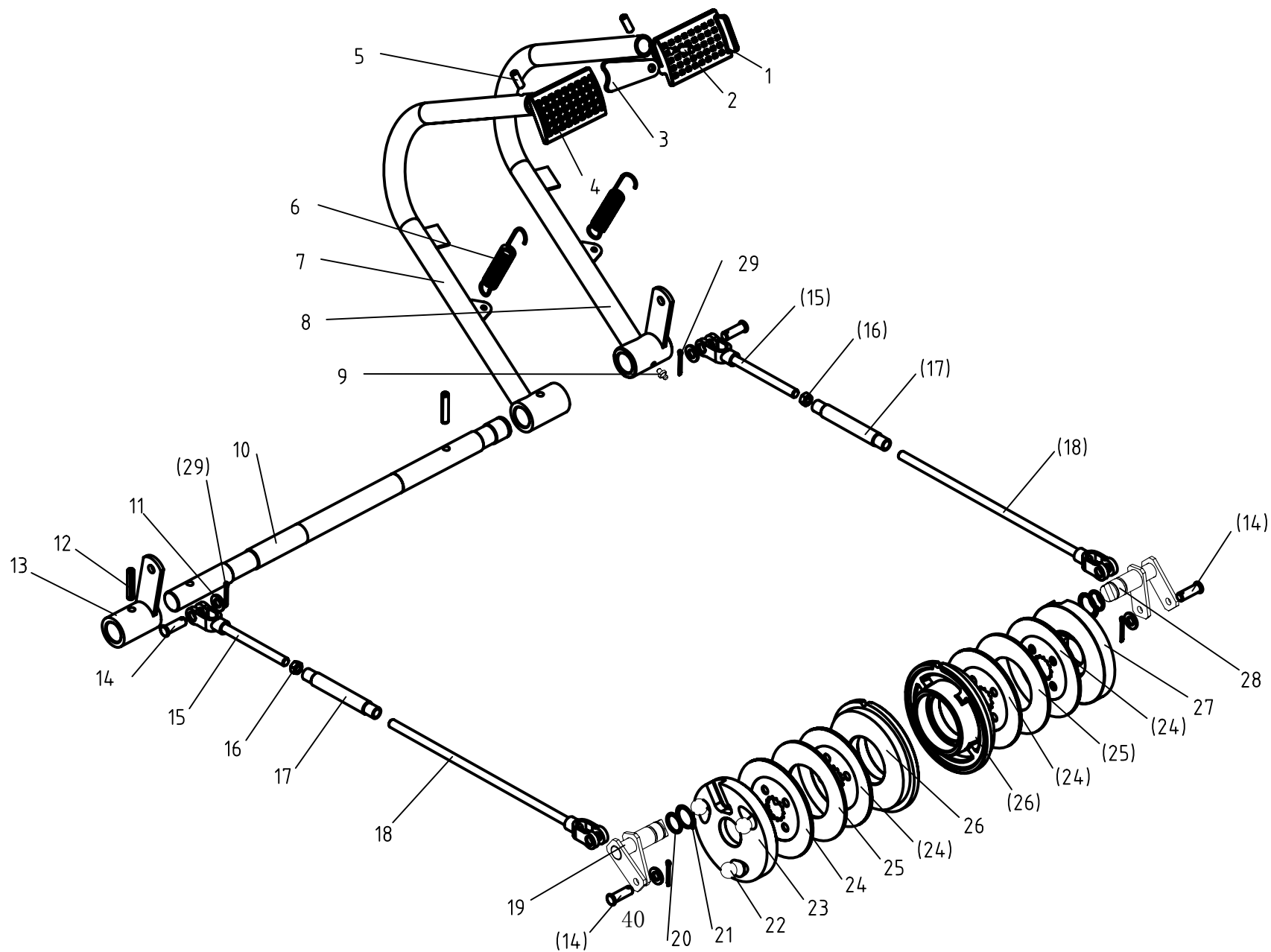


## 10 动力输出总成 PTO

续表

Ser.No.	Part No.	名称及规格	Name & Specifications	Quantity	Remarks
50	254G3.41.119	挡块	retaining collar	1	
51	254G3.41.018	中置动力输出齿轮	PTO gear	1	
52	254G3.41.104	中间齿轮	Middle gear	1	
53	254G3.41.125	中置动力输出轴	PTO shaft	1	
54	GB/T119.1-2000-10×22	销 10×22	Straight pin 10×22	2	
55	200.38.024	放油螺栓总成	Oil drain plug	1	
56	12.37.149	组合密封垫圈	Combined seal washer	1	
57	GB/T5783-2000	螺栓M6×16	Hex. head bolt M6×16	4	
58	GB/T93-1987-6	垫圈 6	Spring lock washer 6	4	
59	GB/T97.1-2002-6	垫圈 6	Plain washer 6	4	
60	254G3.41.108	触点安装板	Touching fix ban	2	

# 11.1 制动器总成 Brake Control Mechanism



### 11.1 制动器总成 Brake Control Mechanism

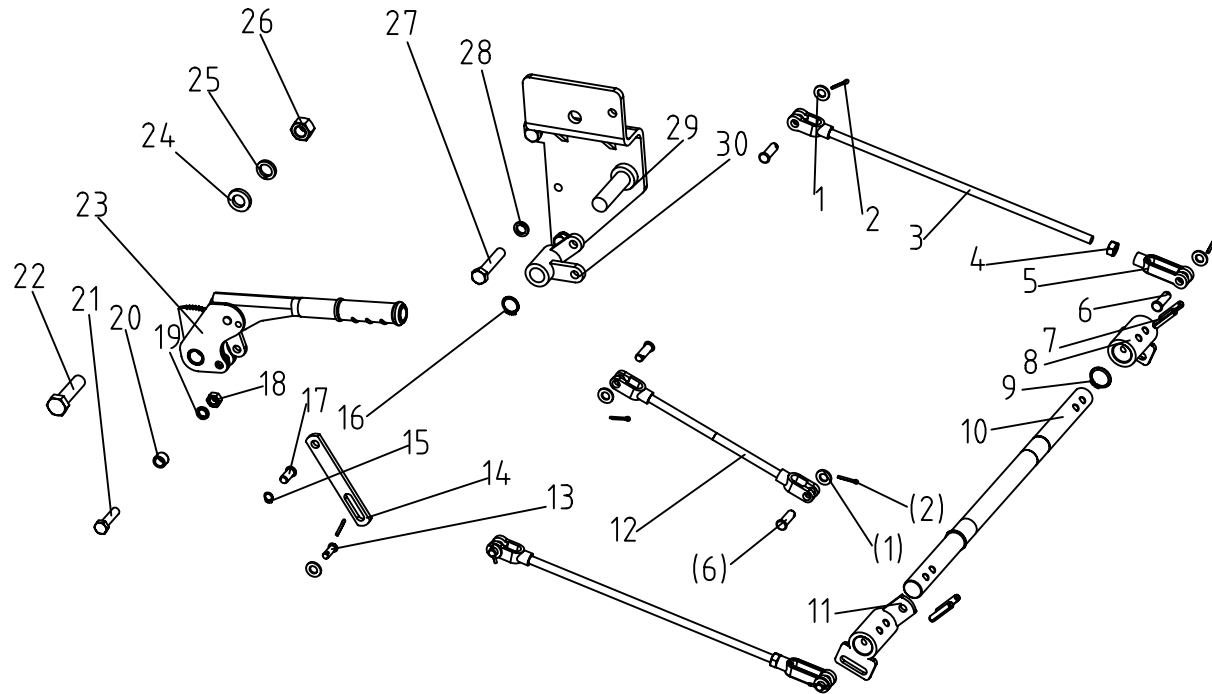
Ser.No.	Part No.	名称及规格	Name & Specifications	Quantity	Remarks
1	254G3.43.034	右制动踏板焊合件	Right brake pedal weldment	1	
2	GB/T879.2-2000-8×22	销 8×22	Slotted spring pin 8 × 22	1	
3	550.43.133	联动板	Coupled plate	1	
4	254G3.43.033	左制动踏板焊合件	Right brake pedal weldment	1	
5	GB/T879.2-2000-8×26	销 8×26	Slotted spring pin 8 × 26	2	
6	300.21A.147-2	拉簧	Extension spring	2	
7	254G3.43.031	左制动踏杆焊合件	Left brake lever weldment	1	
8	254G3.43.032	右制动踏杆焊合件	Right brake lever weldment	1	
9	JB/T7940.2-1995-45° M10×1	油杯 45° M10*1	Angle grease nipple 45° M10*1	1	
10	254G3.43.106	制动传动轴	Brake pedal shaft	1	
11	GB/T97.1-2002-10	垫圈10	Chamfered plain washer 10	4	
12	GB/T879.3-2000-8×40	销 8×40	Slotted spring pin 8 × 40	2	
13	254G3.43.019	左接头焊合件	Left brake arm	1	
14	GB/T882-1986-B10×30	销轴 B10×30	Clevis pin with head B10×30	4	
15	254G3.43.021	前拉杆焊合件	front pull rod weldment	2	
16	GB/T6171-2000-M10×1	螺母M10×1	Hex. nut M10×1	2	
17	254G3.43.107	调节套	Adjusting sleeve	2	
18	254G3.43.022	后拉杆焊合件	Back pull rod weldment	2	
19	254G3.43.017-1	制动摇臂焊合件(左)	Left Rocker Arm	1	
20	GB/T3452.1-1992-20×2.65	O型圈20×2.65	O ring 20×2.65	2	
21	GB/T894.1-1986-25	挡圈 25	Circlip for shaft 25	3	
22	GB/T308-2002-7/8''	钢球7/8''	Ball 7/8''	6	
23	254G3.43.104	压盘(左)	Pressure plate ( left)	1	
24	254G3.43.016	摩擦片总成	Brake driven disk	4	
25	254G3.43.103	制动片	Braking block	2	

### 11.1 制动器总成 Brake Control Mechanism

续表

Ser.No.	Part No.	名称及规格	Name & Specifications	Quantity	Remarks
26	254G3.43.102	制动盘	Brake disc	2	
27	254G3.43.105	压盘(右)	Pressure plate ( right)	1	
28	254G3.43.018	制动摇臂焊合件(右)	Right rocker arm	1	
29	GB/T91-2000-3.2×25	销3.2×25	Split pin 3.2×25	4	

## 11.2 手制动总成 Hand Brake Operation Mechanism



## 11.2 手制动总成 Hand Brake Operation Mechanism

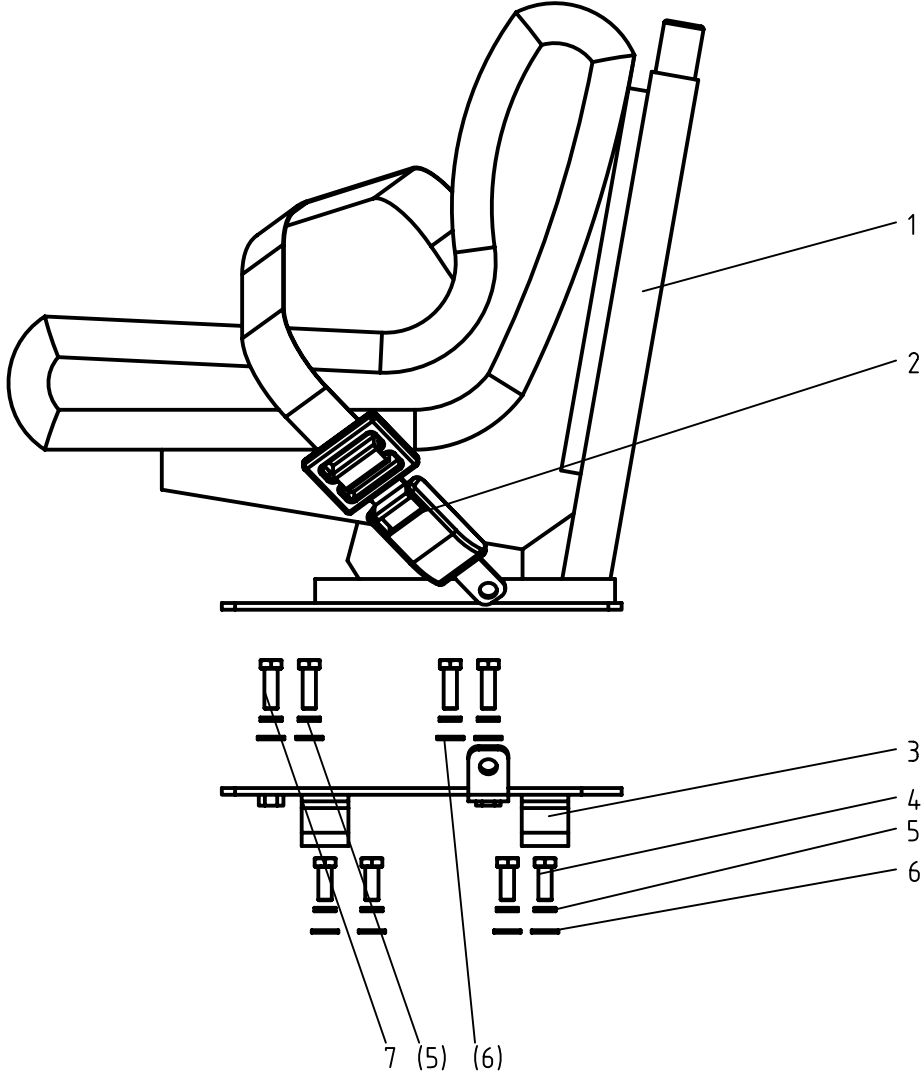
Ser.No.	Part No.	名称及规格	Name & Specifications	Quantity	Remarks
1	GB/T97.1-2002-10	垫圈10	Chamfered plain washer 10	7	
2	GB/T91-2000-3.2×18	销3.2×18	Split pin 3.2×25	7	
3	254G3.43.042	手制动后拉杆焊合件	Back pull rod weldment	2	
4	GB/T6171-2000-M10×1	螺母 M10*1	Hex. nut M10×1	2	
5	300.21A.148	拉杆叉头	Rod clevis	2	
6	GB/T882-1986-B10×30	销轴 B10×30	Clevis pin with head B10×30	6	
7	GB/T879.3-2000-8×40	销 8×40	Slotted spring pin 8 × 40	4	
8	254G3.43.046	手制动左接头焊合件	Left hand brake arm	1	
9	GB/T894.1-1986-25	挡圈25	Circlip for shaft 25	2	
10	254G3.43.201	手制动传动轴	Hand brake pedal shaft	1	
11	254G3.43.041	手制动右接头焊合件	Right hand brake arm	1	
12	254G3.43.045	手制动前拉杆焊合件	Front pull rod weldment	1	
13	GB/T882-1986-B10×22	销轴 B10×22	Clevis pin with head B10×22	1	
14	254G3.43.202	拉杆	Pull rod	1	
15	GB/T894.1-1986-10	挡圈10	Circlip for shaft 10	1	
16	GB/T894.1-1986-20	挡圈20	Circlip for shaft 20	1	
17	450.43.137	拉杆销轴	Clevis pin	1	
18	GB/T6170-2000-M10	螺母 M10	Hex. nut M10	1	
19	GB/T93-1987-10	垫圈 10	Spring lock washer 10	1	
20	450.43.106	垫套	Short spacer	1	
21	GB/T5783-2000-M10*40	螺栓 M10*40	Hex. head bolt M10×40	1	
22	GB/T5783-2000-M16*60	螺栓 M16*60	Hex. head bolt M16×60	1	
23	300-6.43.015	手制动组合件	Hand brake	1	
24	GB/T97.1-2002-16	垫圈 16	Chamfered plain washer 16	1	
25	GB/T93-1987-16	垫圈 16	Spring lock washer 16	1	

## 11.2 手制动总成 Hand Brake Operation Mechanism

续表

Ser.No.	Part No.	名称及规格	Name & Specifications	Quantity	Remarks
26	GB/T6170-2000-M16	螺母 M16	Hex. nut M16	1	
27	GB/T5782-2000-M12*60	螺栓 M12*60	Hex. head bolt M12×60	3	
28	GB/T93-1987-12	垫圈 12	Spring lock washer 12	3	
29	254G3.43.043	手制动固定板焊合件	Hand brake bottom plate	1	
30	254G3.43.044	手制动套管焊合件	Rotate arm weldment	1	

12. A 座椅总成  
Seat

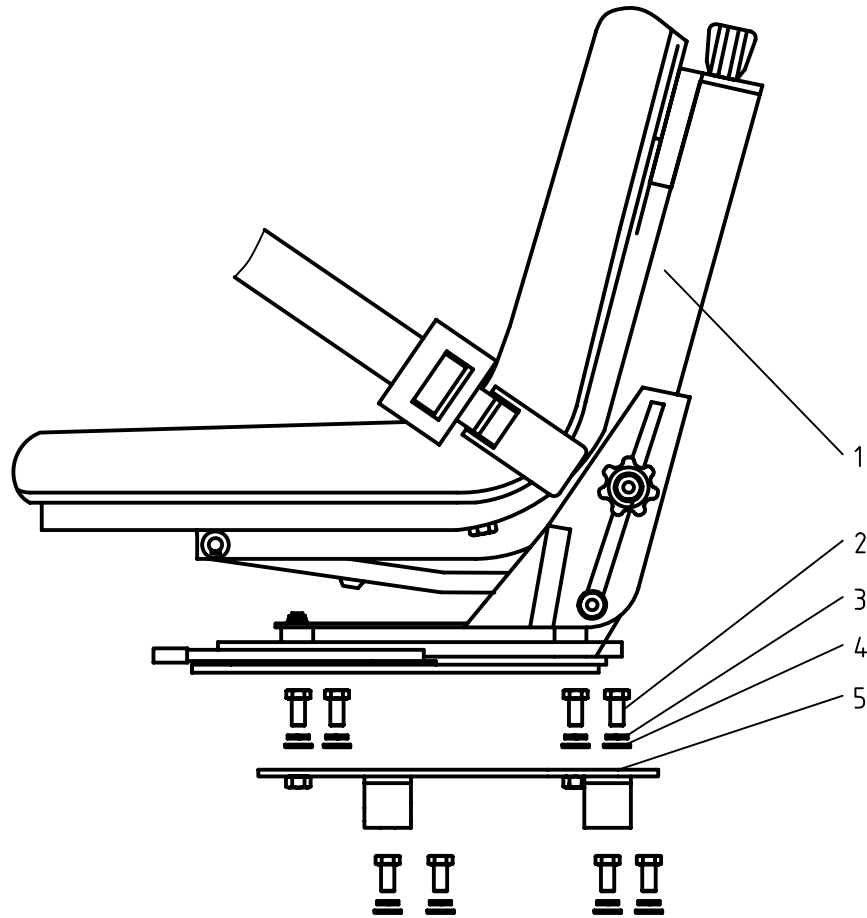




12. A 座椅总成          Seat

Ser.No.	Part No.	名称及规格	Name & Specifications	Quantity	Remarks
1	254-2 .001A	座椅	Seat	1	
2	300 .44B.012A	两点可弹式座椅安全带	Safety belt	1	
3	254G3 .44.011	座椅支架焊合件	Seat bracket	1	
4	GB/T5783-2000-M10×25	螺栓 M10x25	Bolt M10x25	4	
5	GB/T93-1987-10	垫圈10	Spring lock washer 10	8	
6	GB/T97.1-2002-10	垫圈10	Plain washer 10	8	
7	GB/T5783-2000-M10×30	螺栓 M10x30	Bolt M10x30	4	

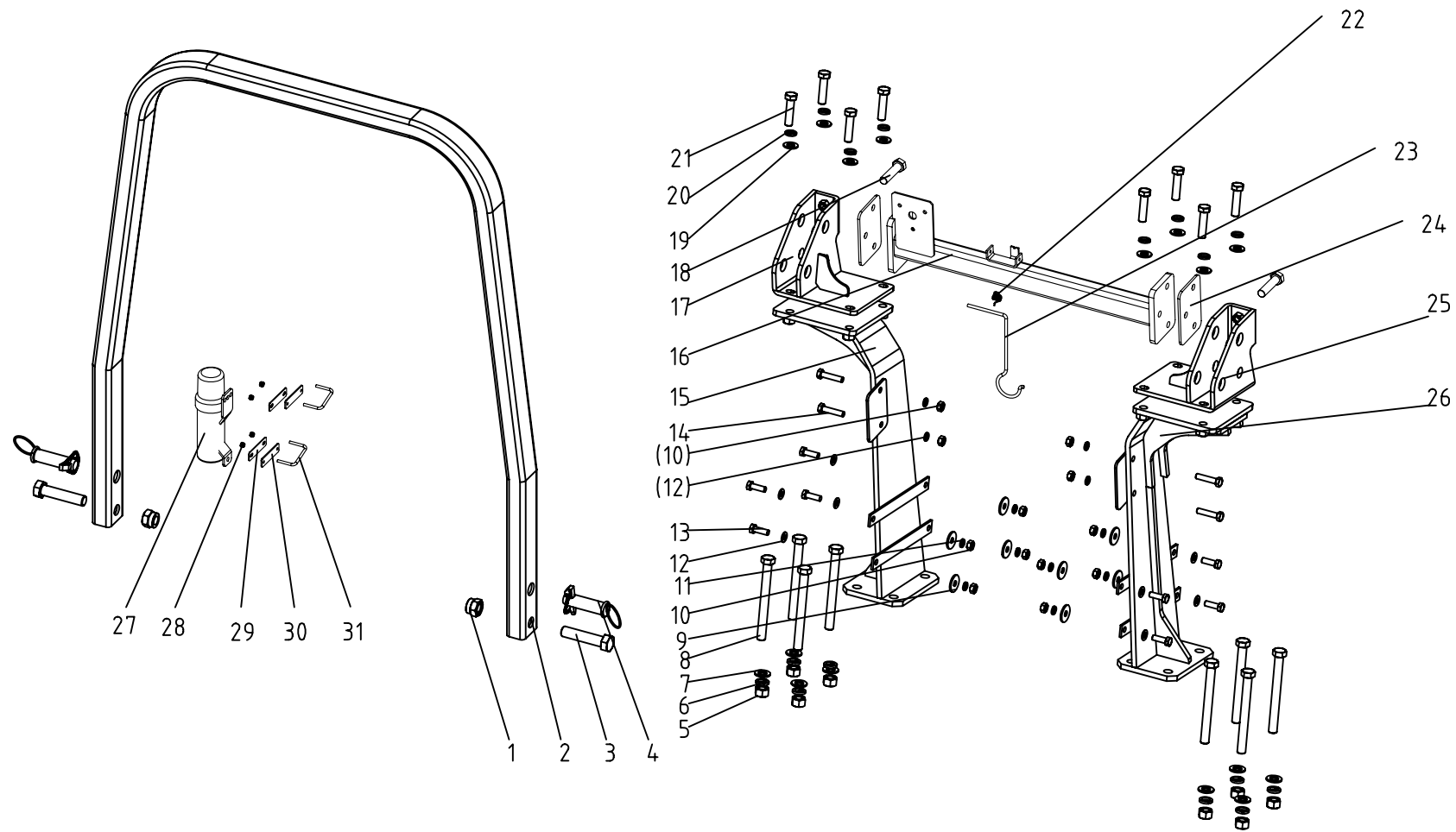
12. B 座椅总成  
Seat



12. B 座椅总成          Seat

Ser.No.	Part No.	名称及规格	Name & Specifications	Quantity	Remarks
1	DS 44/8H	座椅	Seat	1	
2	GB/T5783-2000-M10×25	螺栓 M10x25	Bolt M10x25	8	
3	GB/T93-1987-10	垫圈10	Spring lock washer 10	8	
4	GB/T97.1-2002-10	垫圈10	Plain washer 10	8	
5	254G3 .44A.011	座椅支架焊合件	Seat bracket	1	

# 13.1 安全架总成 Safety Frame



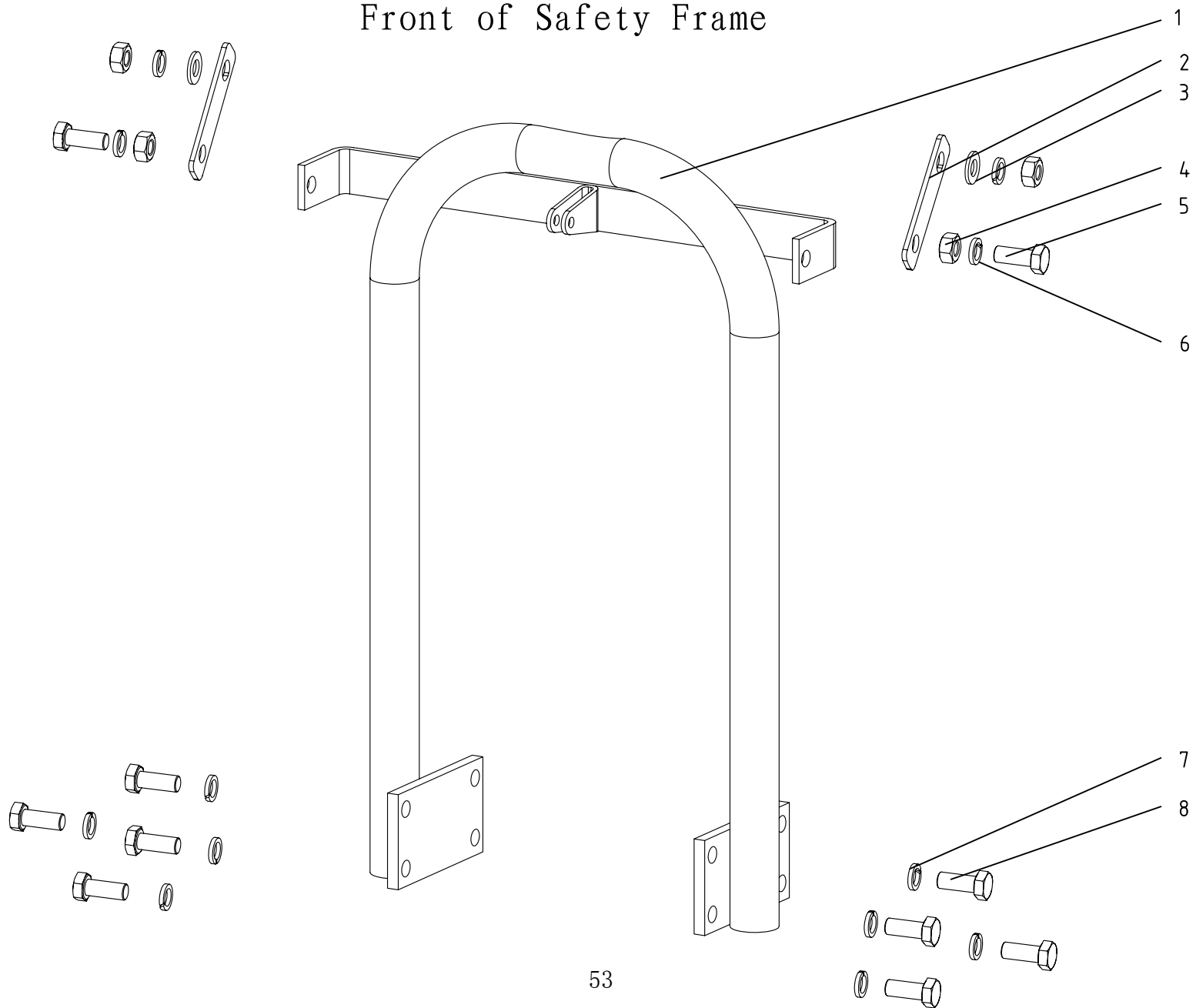
### 13.1 安全架总成 Safety Frame

Ser.No.	Part No.	名称及规格	Name & Specifications	Quantity	Remarks
1	GB/T889.1-2000-M20	螺母 M20	Hex. nut M20	2	
2	254G3.46.101	安全架	Safety Frame	1	
3	GB/T5782-2000-M20×90	螺栓 M20×90	Hex. head bolt M20×90	2	
4	254G3.46.014	锁销合件	Lock pin	2	
5	GB/T6170-2000-M6	螺母 M16	Hex. nut M16	8	
6	GB/T93-1987-16	垫圈16	Spring lock washer 16	8	
7	GB/T97.1-2002-16	垫圈16	Plain washer 16	8	
8	GB/T5782-2000-M16×160	螺栓 M16×160	Hex. head bolt M16×160	8	
9	GB/T5287-1985-10	垫圈10	Plain washer 10	8	
10	GB/T6170-2000-M20	螺母 M10	Hex. nut M10	12	
11	GB/T93-1987-10	垫圈10	Spring lock washer 10	12	
12	GB/T97.1-2002-10	垫圈10	Plain washer 10	8	
13	GB/T5783-2000-M10×30	螺栓 M10×30	Hex. head bolt M10×30	8	
14	GB/T5782-2000-M10×45	螺栓 M10×45	Hex. head bolt M10×45	4	
15	254G3.46.016	左后柱焊合件	Left rear column	1	
16	254G3.46.015-1	后横梁焊合件	Rear cross beam	1	
17	254G3.46.013	左安全架座焊合件	Left bracket,Safety frame	1	
18	GB/T5783-2000-M12×65	螺栓M12×65	Hex. head bolt M12×65	2	
19	GB/T97.1-2002-14	垫圈14	Plain washer 14	8	
20	GB/T93-1987-14	垫圈14	Spring lock washer 14	8	
21	GB/T5783-2000-M14×50	螺栓 M14×50	Hex. head bolt M14×50	8	
22	304G2-6.51.311	扭簧	Torsional spring	1	
23	304G2-6.51.313	挂钩	Clasp	1	
24	254G3.46.105	橡胶固定垫	Rubber blanket	2	
25	254G3.46.011	右安全架座焊合件	Right bracket,Safety frame	1	

### 13.1 安全架总成 Safety Frame

续表					
Ser.No.	Part No.	名称及规格	Name & Specifications	Quantity	Remarks
26	254G3.46.012	右后柱焊合件	Right rear column	1	
27	254-5.49.103	手册资料筒	Manual Holder	1	
28	GB/T6182-2000-M8	螺母M8	Hex. nut M10	4	
29	254G3.46.104	橡胶固定板	Rubber blanket	2	
30	254G3.46.103	抱箍固定板	Fixed plate	2	
31	254G3.46.102	U型螺栓	U bolts	2	

# 13.2 前安全架总成 Front of Safety Frame



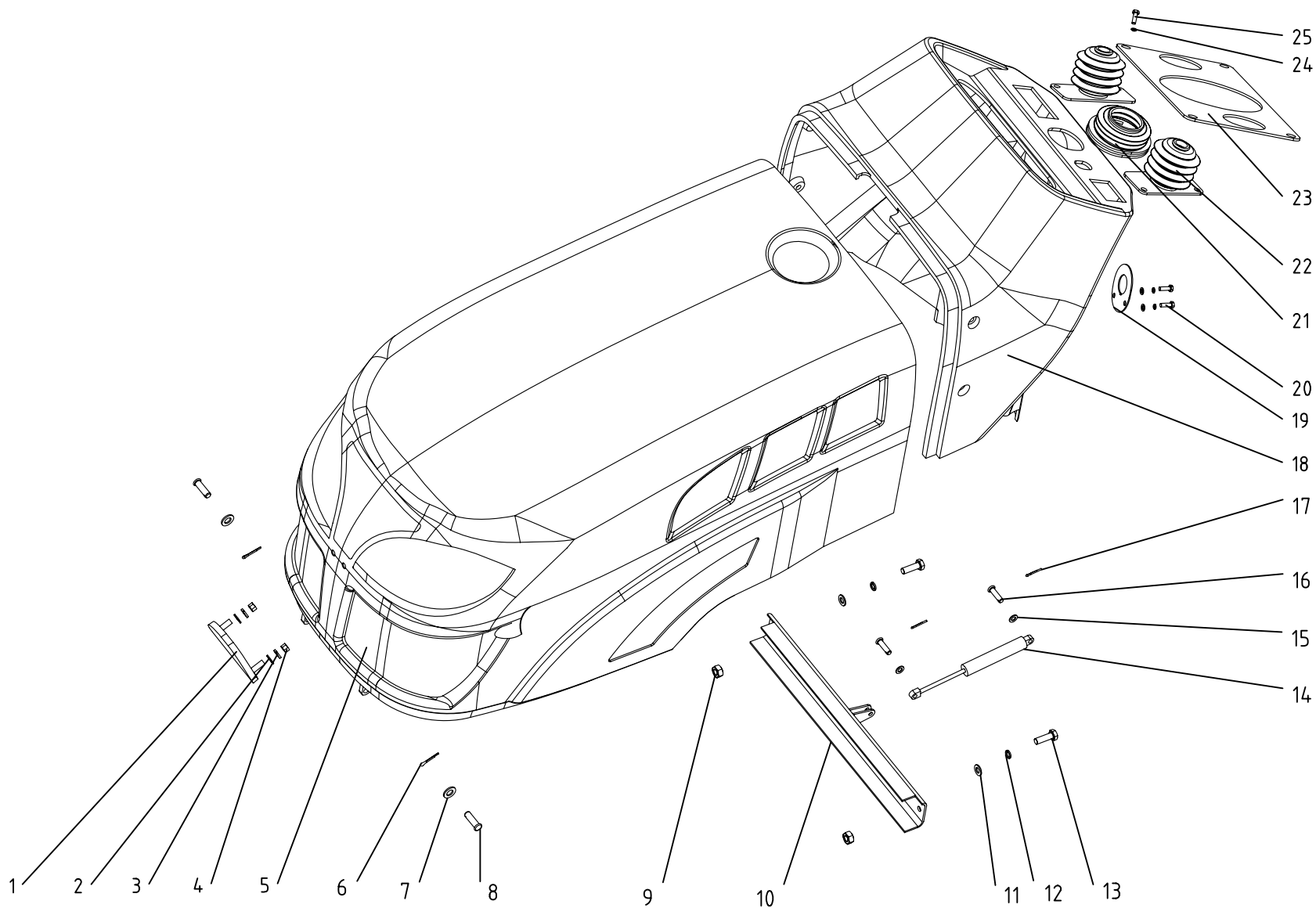
## 13.2 前安全架总成

## Front Safety Frame

Ser.No.	Part No.	名称及规格	Name & Specifications	Quantity	Remarks
1	254G3 .46.021-1	前安全架焊合件	Front of Safety Frame	1	
2	254G3 .46.201	散热器支撑板	radiator plate	2	
3	GB/T97.1-2002-8	垫圈8	Plain washer 8	2	
4	GB/T6170-2000-8	螺母8	Hex. nut M8	4	
5	GB/T5783-2000-M8×25	螺栓 M8×25	Bolt M8×25	2	
6	GB/T93-1987-8	垫圈8	Spring lock washer 8	4	
7	GB/T93-1987-10	垫圈10	Spring lock washer 10	8	
8	GB/T5783-2000-M10×25	螺栓 M10x25	Bolt M10x25	8	



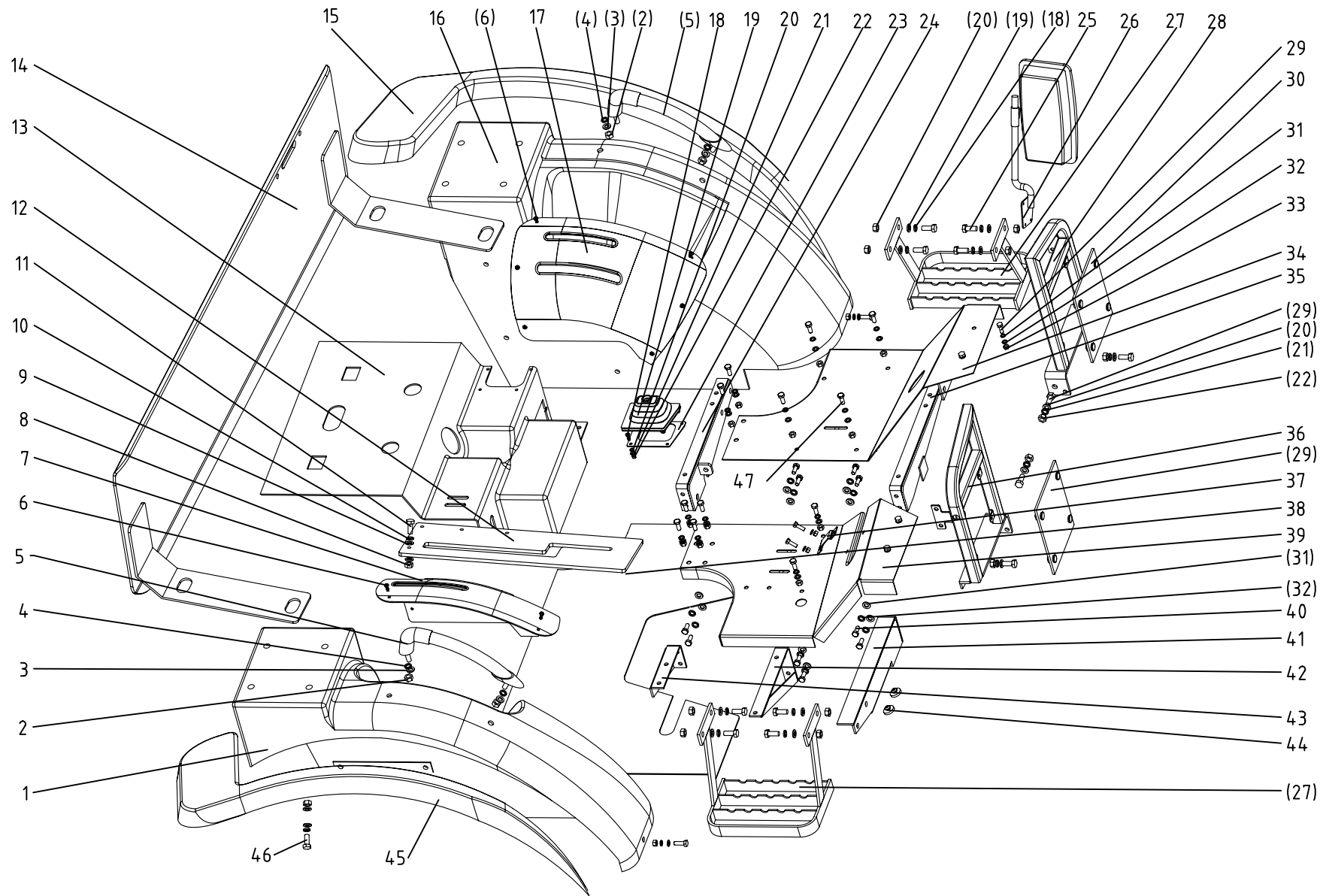
# 14 机罩仪表罩总成 Hood and Panel



14 机罩仪表罩总成 Hood and Panel

Ser.No.	Part No.	名称及规格	Name & Specifications	Quantity	Remarks
1	404-11.47.107	DF标牌	DF brand	1	
2	GB/T97.1-2002-5	垫圈 5	Plain washer 8	4	
3	GB/T93-1987-5	垫圈 5	Spring lock washer 8	4	
4	GB/T6170-2000-M8	螺母 M5	Hex. Nut M8	2	
5	254G3.47.011	机罩合件	Engine Hood	1	
6	GB/T91-2000-3.2×20	销 3.2×20	Split pin 3.2×20	2	
7	GB/T97.1-2002-10	垫圈 10	Plain washer 10	2	
8	GB/T882-1986-B10×32	销轴 B10×32	Clevis pin with head B10×32	2	
9	GB/T6170-2000-M8	螺母 M8	Hex. Nut M8	2	
10	254G3.47.010	气弹簧支架焊合件	Gas spring bracket rest	1	
11	GB/T97.1-2002-8	垫圈 8	Plain washer 8	6	
12	GB/T93-1987-8	垫圈 8	Spring lock washer 8	6	
13	GB/T5783-2000-M8×20	螺栓 M8×20	Hex. head bolt M8×20	6	
14	082422	气弹簧	Gas spring	1	
15	GB/T97.1-2002-6	垫圈 6	Plain washer 6	2	
16	GB/T882-1986-B6×22	销轴 B6×22	Clevis pin with head B6×22	2	
17	GB/T91-2000-2×18	销 2×18	Split pin 2×18	2	
18	254G3.47.012-1	仪表罩合件	Engine Hood	1	
19	404-11.47.102	电锁安装板	Lock fixing band	1	
20	GB/T818-2000-M5×12	螺钉 M5×12	Philips pan head screw M5×12	2	
21	404-11.47.101	防尘套	Dustproof cover	1	
22	254G3.47.103	防尘罩	Dustproof cover	2	
23	254G3.47.104	防尘罩盖板	Dustproof cover board	1	
24	GB/T97.1-2002-6	垫圈 6	Plain washer 6	4	
25	GB/T818-2000-M6×16	螺钉 M6×16	Philips pan head screw M6×16	4	

# 15 地板挡泥板总成 Foot Mud Shields Rest



### 15 地板挡泥板总成 Foot Mud Shields Rest

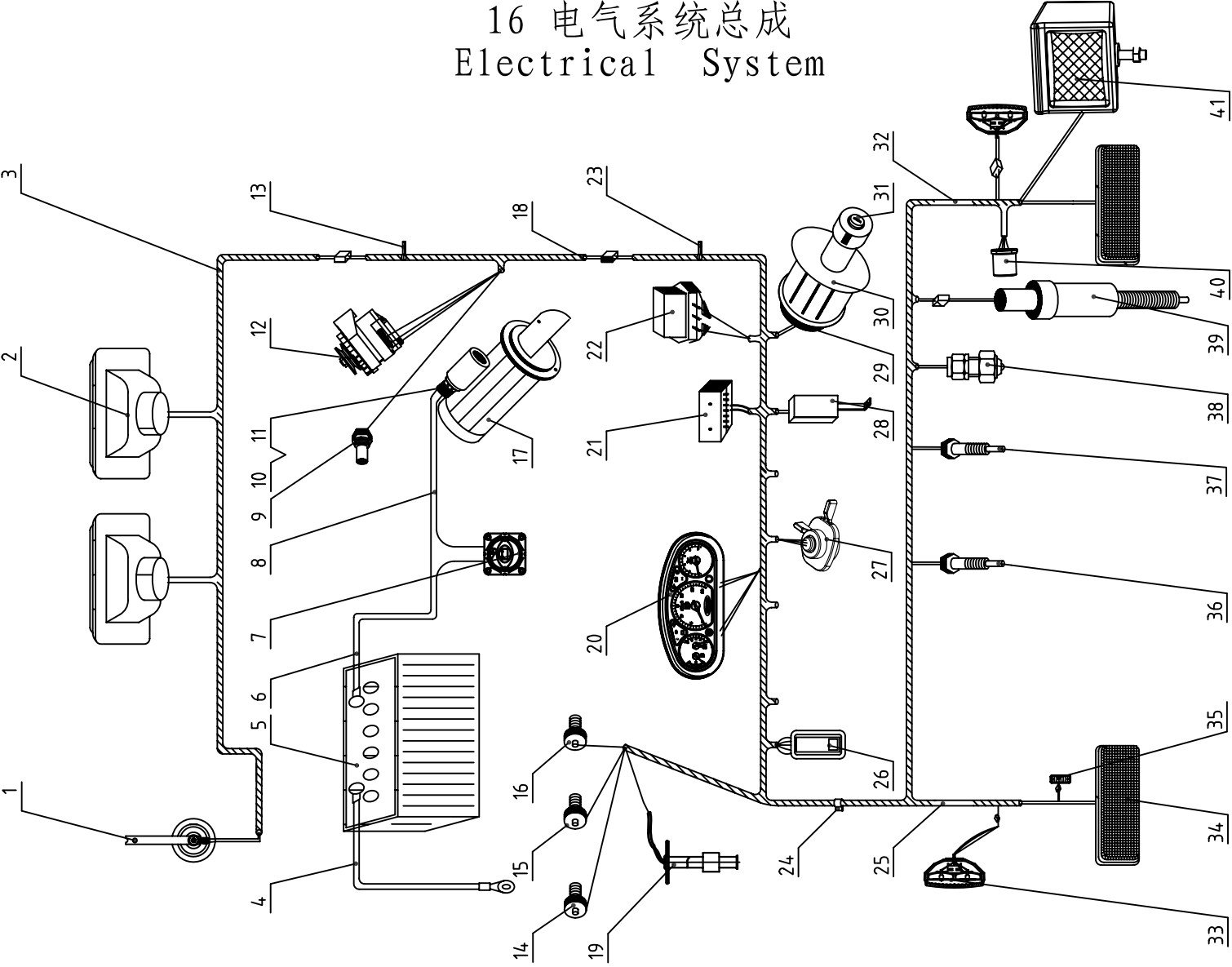
Ser.No.	Part No.	名称及规格	Name & Specifications	Quantity	Remarks
1	254G3.51.023	右挡泥板合件	Right mud Shield	1	
2	GB/T6170-2000-M10	螺母 M10	Hex. nut M10	16	
3	GB/T97.1-2002-10	垫圈 10	Plain washer 10	16	
4	GB/T93-1987-10	垫圈 10	Spring lock washer 10	16	
5	404-11.51.104	扶手	Handle hold	2	
6	GB/T918-1985-M5×25	螺钉 M5×25	Philips pan head screw M5×25	12	
7	254G3.51.121-1	右挡泥板罩	Right mud Shield Boot	1	
8	GB/T6170-2000-M6	螺母 M6	Hex. nut M6	14	
9	GB/T97.1-2002-6	垫圈 6	Plain washer 6	28	
10	GB/T93-1987-6	垫圈 6	Spring lock washer 6	14	
11	GB/T818-1985- M6×25	螺钉 M6×25	Philips pan head screw M6×25	4	
12	254G3.51.103	手制动护板	Parking brake safeguard	1	
13	254G3.51.105-1	封闭地板	Close floor	1	
	254G3.51.105A-1	封闭地板	Close floor		
14	254G3.51.024	后牌照板焊合件	Rear registration mark ban	1	
15	254G3.51.131	左翼板	Left pinna ban	1	
16	254G3.51.013	左挡泥板合件	Left mud Shield	1	
17	254G3.51.110-1	左挡泥板罩	Left mud Shield Boot	1	
18	GB/T67-2000-M5×25	螺钉 M5×25	Philips pan head screw M5×25	4	
19	254G3.51.114	防尘套	rubber boot	1	
20	GB/T93-1987-5	垫圈 5	Spring lock washer 5	4	
21	GB/T97.1-2002-5	垫圈 5	Plain washer 5	4	
22	GB/T6170-2000-M5	螺母 M5	Hex. nut M5	4	
23	254G3.51.122	变速杆挡板	Selector board	1	
24	254G3.51.020	左后支架焊合件	Left-rear bracket joint	1	

## 15 地板挡泥板总成 Foot Mud Shields Rest

续表

Ser.No.	Part No.	名称及规格	Name & Specifications	Quantity	Remarks
25	GB/T5783-2000-M10×30	螺栓 M10×30	Hex. head bolt M10×30	8	
26	1B17382×0001	后视镜组合件	Driving mirror joint	1	
27	254G3.51.016	车梯焊合件	Ladder frame	2	
28	254G3.51.010-1	左挡风玻璃安装架焊合件	Left Windscreen mount	1	
29	GB/T5783-2000-M10×25	螺栓 M10×25	Hex. head bolt M10×25	4	
30	254G3.51.012	挡风玻璃组合件	Windscreen	2	
31	GB/T97.1-2002-8	垫圈 8	Plain washer 8	32	
32	GB/T93-1987-8	垫圈 8	Spring lock washer 8	32	
33	GB/T6170-2000-M8	螺母 M8	Hex. nut M8	24	
34	254G3.51.014	左地板焊合件	Left foot rest	1	
35	254G3.51.021	左中支架焊合件	Left-middle bracket joint	1	
36	254G3.51.011-1	右挡风玻璃安装架焊合件	Right Windscreen mount	1	
37	254G3.51.109	缺口连接板	web plate	1	
38	254G3.51.101	橡胶地板	Rubber floor	1	
39	254G3.51.015	右地板焊合件	Right foot rest	1	
40	GB/T5783-2000-M8×20	螺栓 M8×20	Hex. head bolt M8×20	8	
41	254G3.51.019	右车梯支架焊合件	Ladder bracket joint	1	
42	254G3.51.018	右中支架焊合件	Right-middle bracket joint	1	
43	254G3.51.017	右后支架焊合件	Right-rear bracket joint	1	
44	GB/T5783-2000-M8×45	螺栓 M8×45	Hex. head bolt M8×45	1	
45	254G3.51.231	右翼板	Right pinna ban	1	
46	GB/T5783-2000-M6×20	螺栓 M6×20	Hex. head bolt M6×20	10	
47	GB/T5783-2000-M8×25	螺栓 M8×25	Hex. head bolt M8×25	22	

# 16 电气系统总成 Electrical System



## 16 电气系统总成

## Electrical System

Ser.No.	Part No.	名称及规格	Name & Specifications	Quantity	Remarks
1	254G2.48G.025	电喇叭	Electrucity horn	1	
2	254G3.48.020	园艺型前照灯	Head lamp	1	
3	254G3.48.011	前线束	Front wiring harness	1	
4	254G3.48.017	蓄电池负极搭铁电缆	Battery cable	1	
5	6-QW-60	免维护蓄电池	Battery	1	
6	254G3.48.016	蓄电池正极-总电源开关连接电缆	Battery cable	1	
7	254G3.48.019	总电源开关	general supply switch	1	
8	254G3.48.015	启动-电源总开关连接电缆	elastic cable paper	1	
9	254G2.48G.022	水温传感器	Water temperature sensor	1	
10	1912型	起动继电器	Starting relay	1	
11	250D.48.101	电缆线接头护套	Cable splice jacket	1	
12	JFxxxx	永磁交流发电机	Generator	1	From engine
13	ZD300×8	可松开式锁式扎带	Clingulum	2	
14	HX-YB-qy01	气压警报开关	Swich	1	
15	120.48.102	转速传感器 (M16×1.5)	rotation speed senser ( M16×1.5 )	1	
16	254G2.48G.023	油压传感器	Oil pressure sensor	1	
17	QDxxxx	减速起动电机	Starting motor	1	From engine
18	254G3.48.012-1	主线束	Main wiring harness	1	
19	254G3.48.018	油量传感器	Oil level sensor	1	
20	304G2-6E.48.020	ZB103-7A组合仪表(106齿)	ZB103-7A combination meter	1	From engine
21	550.48C.020-1	保险丝盒	Fuse box	1	
22		整流调节器	Ragulater	1	From engine
23	254G3.48.018	油量传感器	Oil level sensor	1	
24	200.48B.108	线夹	Wire clip	3	
25	254G3.48.014	右挡泥板线束	Right-rear wiring harness	1	

## 16 电气系统总成

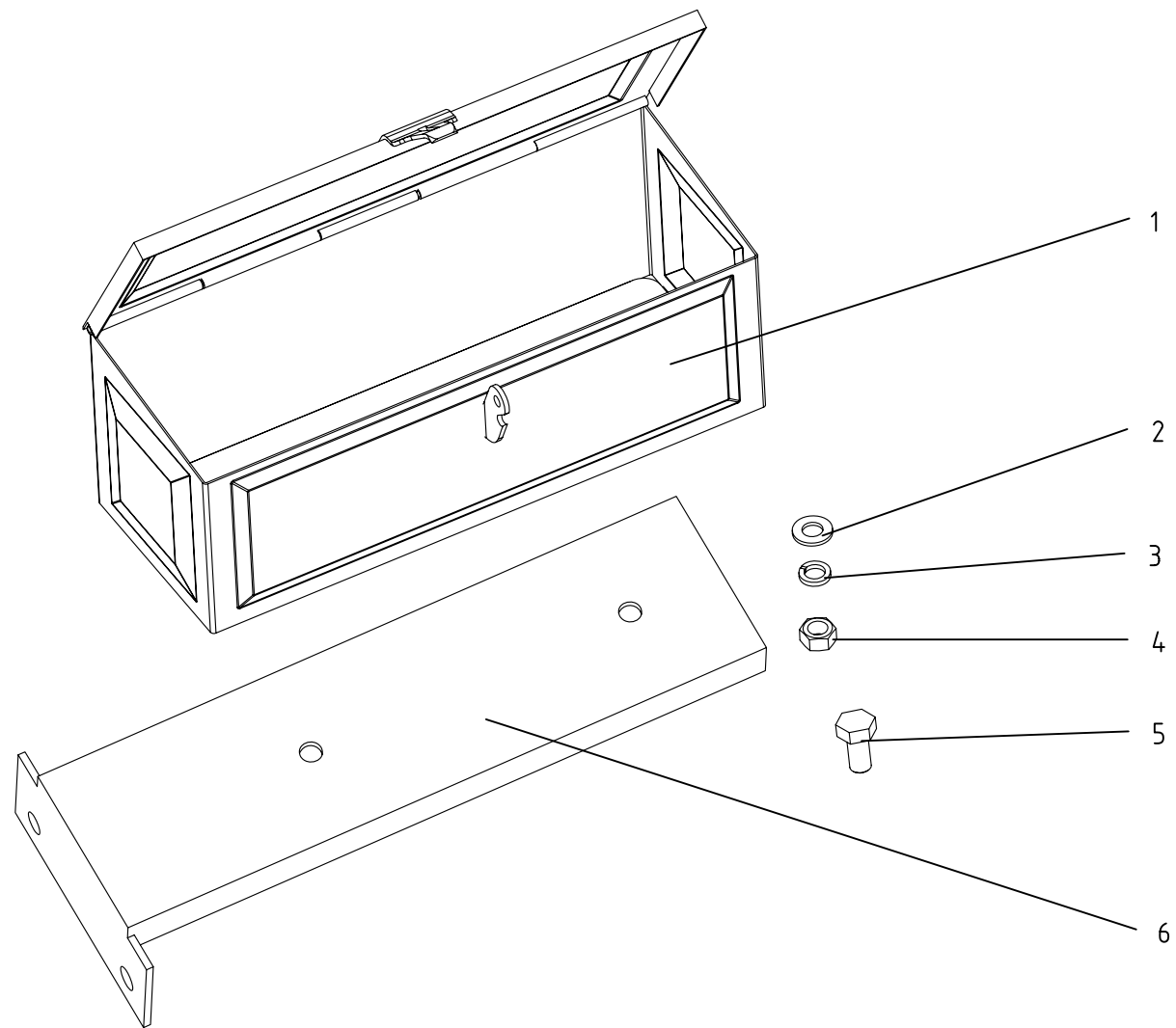
## Electrical System

续表

Ser.No.	Part No.	名称及规格	Name & Specifications	Quantity	Remarks
26	JK938A	安全警示灯开关	Caution light switch	1	
27	304G2-6.48.103	组合开关	multi-function switch	1	
28	SG152	闪光器	Flasher	1	
29	YRHD001	预热启动开关防护套	Jacket	1	
30	254G3.48.105	起动开关标牌	Starting scutcheon	1	
31	504G3.48.022	预热起动开关	Pre-heating starting switch	1	
32	254G3.48.013	左挡泥板线束	Left-rear wiring harness	1	
33	300-6.48.020-1	转向灯 (EC)	Steering lamp (EC)	2	
34	300-6.48.022-1	组合后灯	Combination rear signal lamp	2	
35	300-6. 48. 019-1	牌照灯(EC)	License light(EC)	1	
36	LXW20-11	PT0540r/min档位开关 (常开)	Switch for PTO shaft speed of 540 rpm	1	
37	LXW20-11	PT0空档开关 (常开)	Switch for PTO neutral	1	
38	JB1041	起动安全开关	Security switch	1	
39	JK231B	制动灯开关	Brakelight switch	1	
40	JB3762-84	拖车插座	Trailer socket	1	
41	804-6. 48. 024	后工作灯	Tail lamp	2	



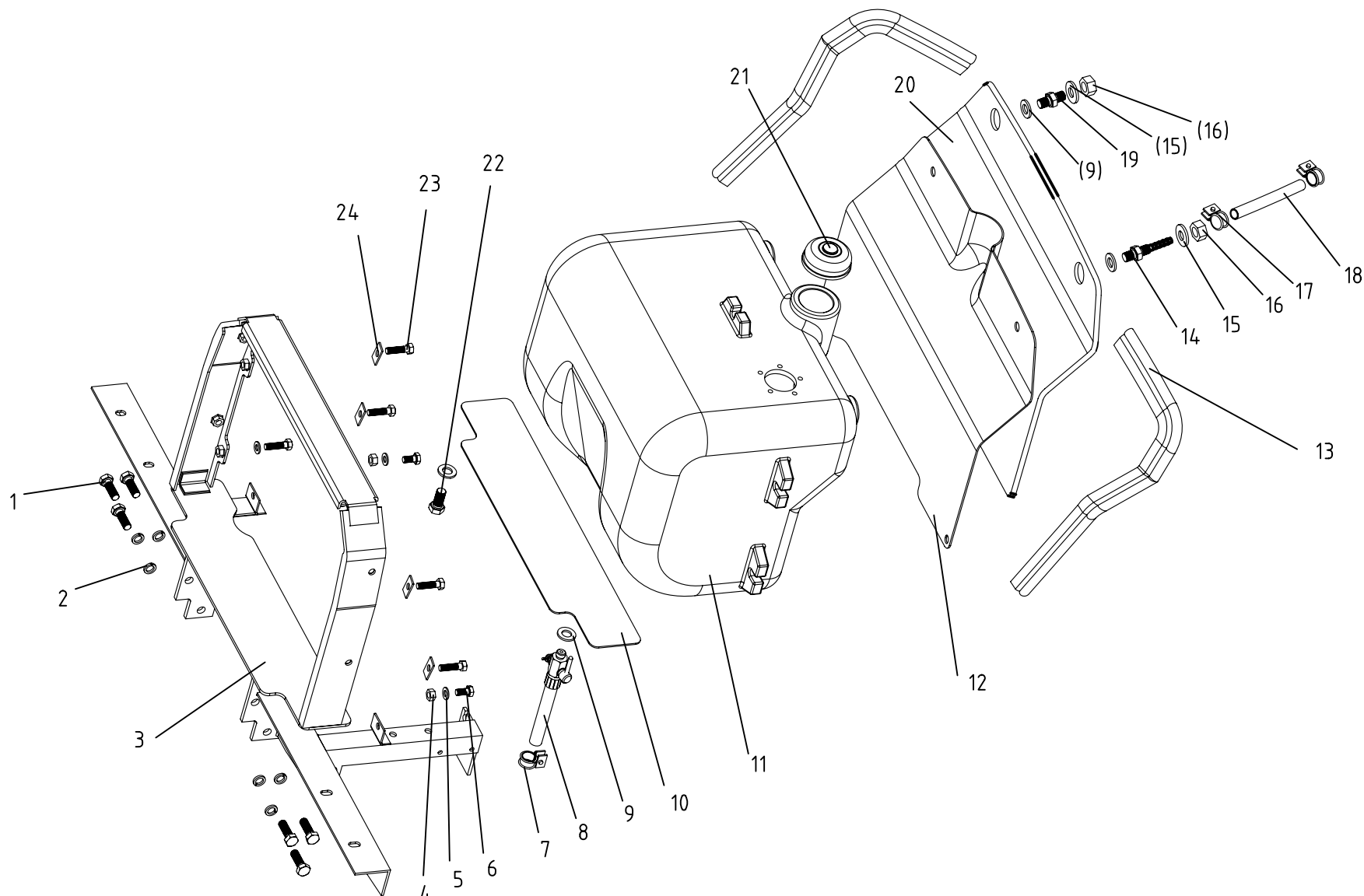
17 工具箱总成  
Toolbox



### 17 工具箱总成 Toolbox

Ser.No.	Part No.	名称及规格	Name & Specifications	Quantity	Remarks
1	450.49.001	工具箱	Toolbox	1	
2	GB/T97.1-2002	垫圈 8	Plain washer 8	2	
3	GB/T93-1987	垫圈 8	Spring lock washer 8	2	
4	GB/T6170-2000	螺母 M8	Hex. nut M8	2	
5	GB/T5783-2000	螺栓 M8×16	Hex. head bolt M8×16	2	
3	254G3.00.102	工具箱安装板	Toolkit installation plate	1	

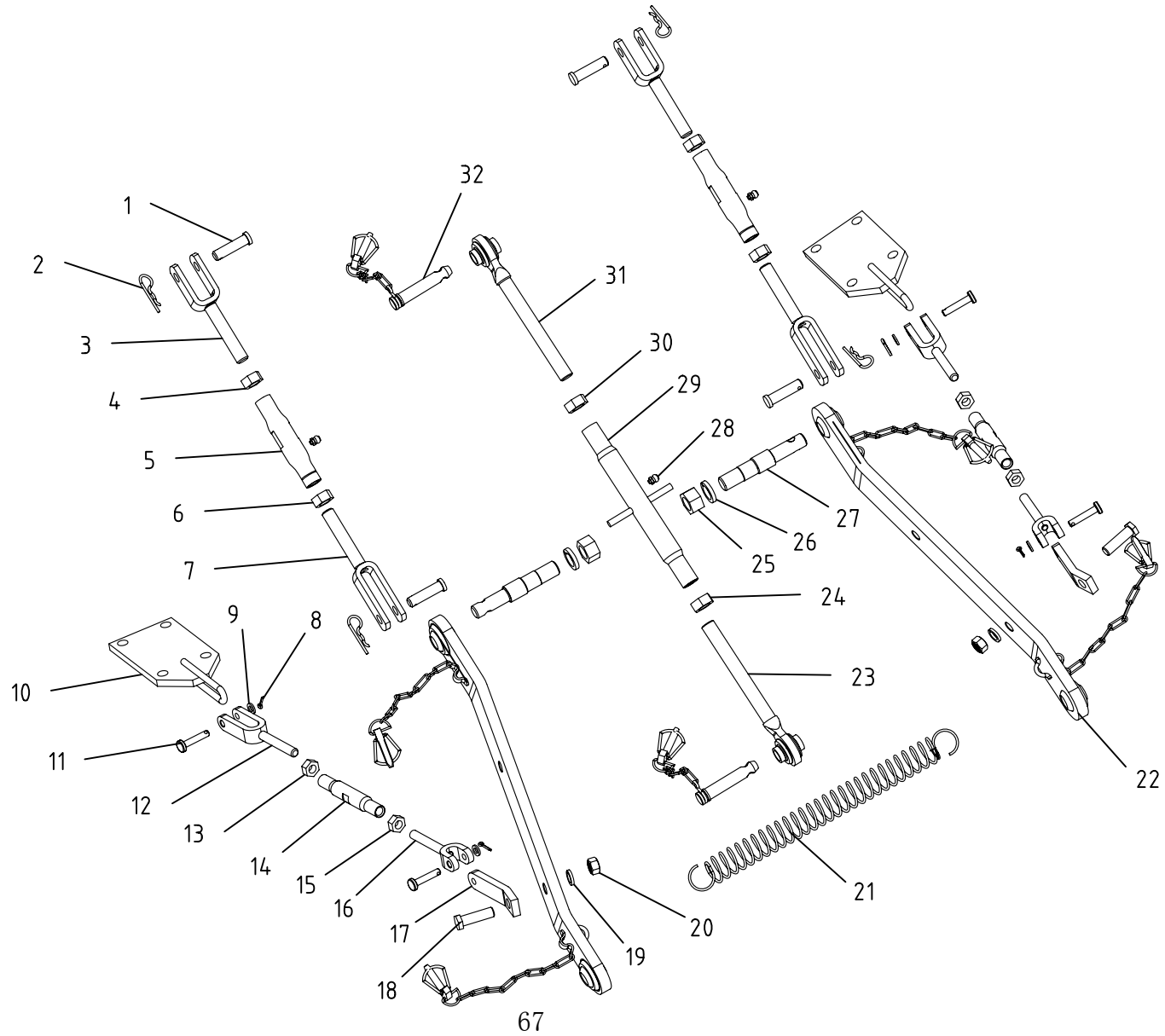
# 18 燃油箱总成 Fuel Tank



18 燃油箱总成      Fuel Tank

Ser.No.	Part No.	名称及规格	Name & Specifications	Quantity	Remarks
1	GB/T5783-2000-M10×25	螺栓 M10×25	Hex. head bolt M10×25	6	
2	GB/T93-1987-10	垫圈10	Spring lock washer 10	6	
3	254G3.50.015	油箱托板焊合件	Fuel tank cradle	1	
4	GB/T6170-2000-M8	螺母M8	Hex. nut M8	2	
5	GB/T97.1-2002-8	垫圈8	Plain washer 8	2	
6	GB/T5783-2000-M8×20	螺栓 M8×20	Hex. head bolt M8×20	2	
7	JB/T8870-1999-(12-20)	喉箍(12-20)	Hoop ( 12-20 )	1	
8	254G3.50.014	燃油输油管路总成	Fuel filter pipe	1	
9	GB/T6013-2000-12	垫圈12	Washer 12	4	
10	254G3.50.106	橡胶垫板	Rubber pad	1	
11	254G3.50.012	油箱合件	Fuel tank	1	
12	254G3.50.102	隔热板	Adiabatic board	1	
13	550-1.51.101	密封条	Airproof strip	2	
14	254G3.50.104	通油螺栓	Oil through bolt	1	
15	GB/T97.1-2002-12	垫圈 12	Chamfered plain washer 12	2	
16	GB/T6170-2000-M12	螺母 M12	Hex. nut M12	2	
17	JB/T8870-1999-(8-12)	喉箍 (8-12)	Hoop ( 8-12 )	2	
18	254G3.50.105	回油胶管	Oil return pipe	1	
19	254G3.50.103	螺栓	Bolt	1	
20	254G3.50.101	隔热毡	Adiabatic felt	1	
21	LHYXG-2	油箱盖组合件	Fuel tank cap	1	
22	GB/T5786-2000-M12×1.25×16	螺栓 M12×1.25×16	Bolt M12×1.25×16	1	
23	GB/T5783-2000-M8×30	螺栓 M8×30	Hex. head bolt M8×30	5	
24	304G-6.50.101	油箱垫圈	Fuel tank wahser	5	

# 19.A 悬挂装置总成 Suspension Mechanism



### 19. A 悬挂装置总成 Suspension Mechanism

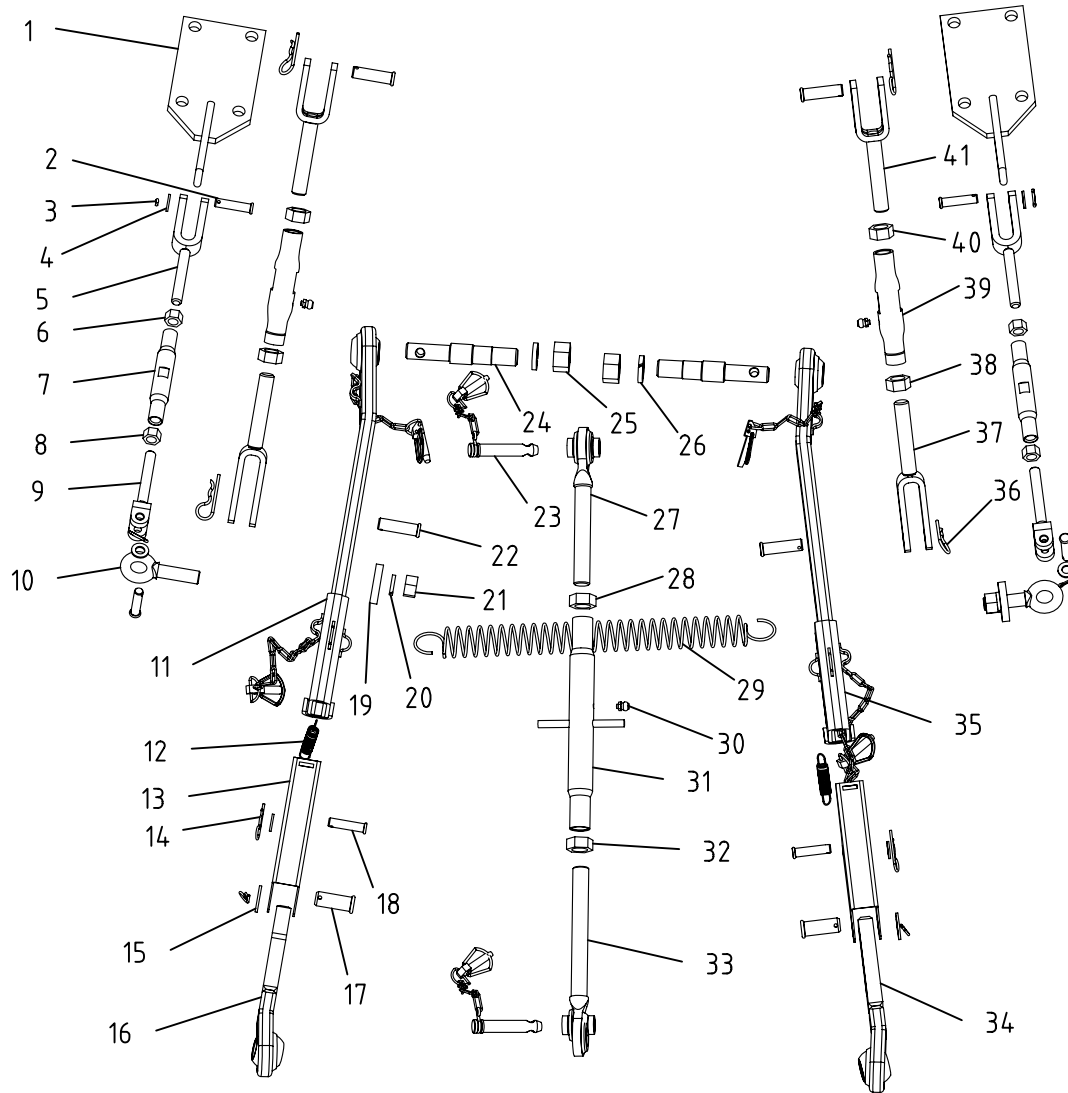
Ser.No.	Part No.	名称及规格	Name & Specifications	Quantity	Remarks
1	GB/T882-1986-B16×52	销轴B16×52	Clevis pin with head B16×52	4	
2	200.56.101-1	R销	R-pin	4	
3	254G3.56.020	提升杆上叉焊合件	Lift rod up clevis	2	
4	GB/T6171-2000-M20×2	螺母M20×2	Hex. nut M20×2	2	
5	254G3.56.114	提升杆螺管	Adjusting sleeve	2	
6	GB/T6171-2000-M20×2(left)	螺母M20×2 (左)	Hex. nut M20×2 ( left )	2	
7	254G3.56.022	提升杆下叉焊合件	Lower clevis of lift rod	2	
8	GB/T91-2000-3.2×20	销3.2×20	Split pin 3.2×20	4	
9	GB/T97.1-2002-12	垫圈12	Plain washer 12	4	
10	254G3.56.025	限位杆前支座焊合件	Front check chain	2	
11	GB/T882-1986-B12×45	销轴B12×45	Clevis pin with head B12×45	4	
12	254G3.56.026	限位杆前叉焊合件	Front check clevis	2	
13	GB/T6170-2000-M14	螺母M14	Hex. nut M14	2	
14	254G3.56.130	限位杆螺管	Adjusting sleeve	2	
15	GB/T6170-2000-M14(left)	螺母M14 (左)	Hex. nut M14 ( left )	2	
16	254G3.56.027	限位杆后叉焊合件	Rear check clevis	2	
17	254G3.56.131	限位杆后支座	Rear check bracket	2	
18	GB/T5782-2000-M16×55	螺栓M16×55	Hex. head bolt M16×55	2	
19	GB/T93-1987-16	垫圈16	Spring lock washer 16	2	
20	GB/T6170-2000-M16	螺母M16	Hex. nut M16	2	
21	200.56.102	限位弹簧	Spring coil	1	
22	254G3.56.014	下拉杆焊合件	Lower link weldment	2	
23	254G3.56.017	上拉杆前螺杆焊合件	Upper link front adjusting rod	1	
24	GB/T6171-2000-M22×2	螺母M22×2	Hex. nut M22×2	1	
25	GB/T6170-2000-M24	螺母M24	Hex. nut M24	2	

### 19. A 悬挂装置总成 Suspension Mechanism

续表

Ser.No.	Part No.	名称及规格	Name & Specifications	Quantity	Remarks
26	GB/T93-1987-24	垫圈24	Spring lock washer 24	2	
27	254G3.56.101	下拉杆连接轴	Lower link shaft	2	
28	JB/T7940.1-1995-M6	油杯M6	Grease nipple M6	3	
29	254G3.56.018	上拉杆螺管焊合件	Turn buckle of upper link	1	
30	GB/T6171-2000-M22×2 (left)	螺母M22×2 (左)	Hex. nut M22×2 (left)	1	
31	254G3.56.019	上拉杆后螺杆焊合件	Upper link rear adjusting rod	1	
32	200.56.016	上拉杆连接销总成	Coupling pin of upper link	2	

# 19.B 悬挂装置总成 Suspension Mechanism





### 19. B 悬挂装置总成 Suspension Mechanism

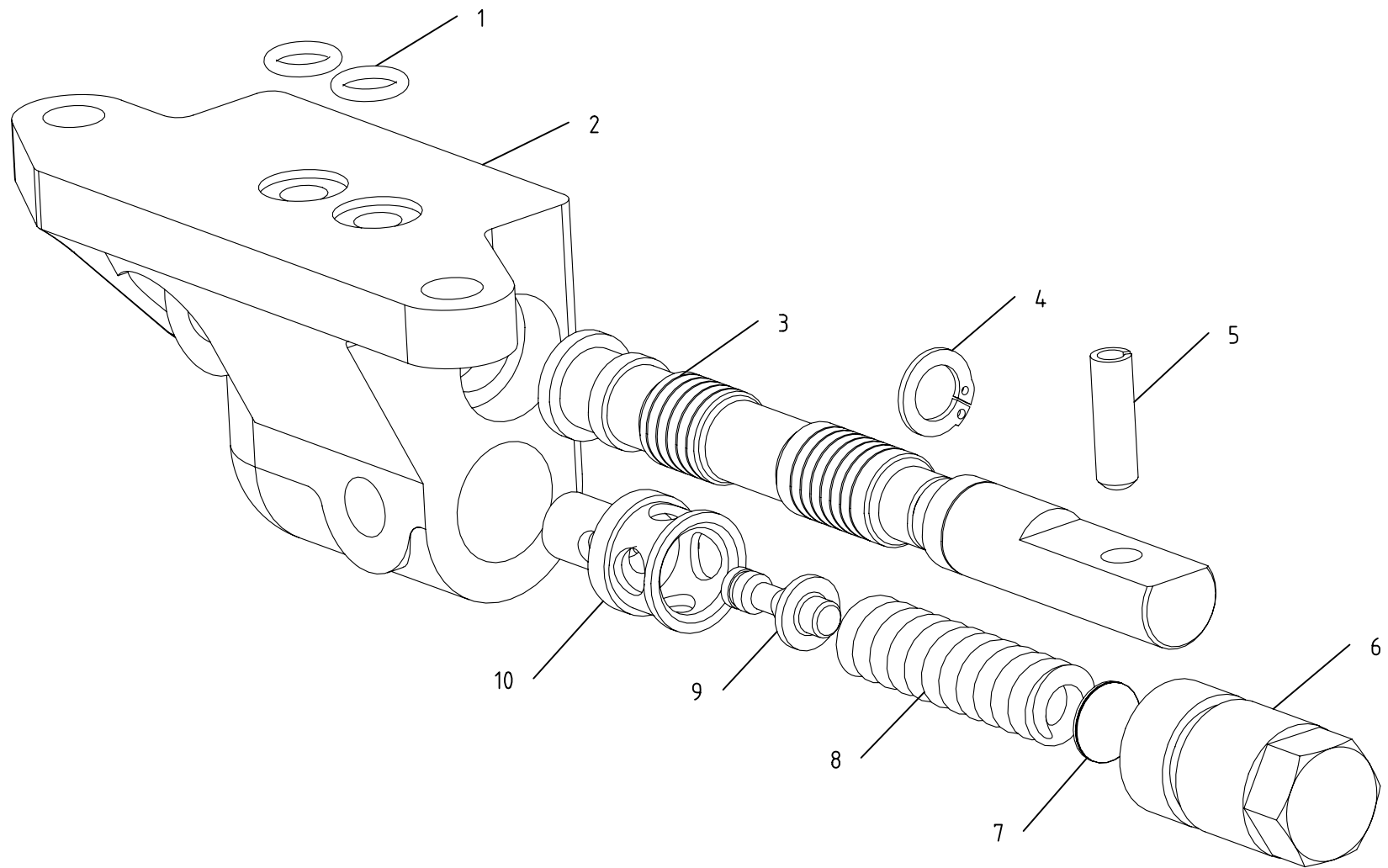
Ser.No.	Part No.	名称及规格	Name & Specifications	Quantity	Remarks
1	254G3.56.025	限位杆前支座焊合件	Front check chain	2	
2	GB/T882-1986-B12×45	销轴B12×45	Clevis pin with head B12×45	4	
3	GB/T91-2000-3.2×20	销3.2×20	Split pin 3.2×20	4	
4	GB/T97.1-2002-12	垫圈12	Plain washer 12	6	
5	254G3.56.026	限位杆前叉焊合件	Front check clevis	2	
6	GB/T6170-2000-M14	螺母M14	Hex. nut M14	2	
7	254G3.56.130	限位杆螺管	Adjusting sleeve	2	
8	GB/T6170-2000-M14(left)	螺母M14 (左)	Hex. nut M14 ( left )	2	
9	254G3.56.027	限位杆后叉焊合件	Rear check clevis	2	
10	300.56.109	环形螺钉	Ring bolt	2	
11	254G3.56A.028	左下拉杆焊合件	Left lower link weldment	1	
12	504G3.56.110	弹簧	Spring	2	
13	504G3.56.111	护板	Protect board	2	
14	504G3.56.112	R销	R-pin	4	
15	GB/T97.1-2002-20	垫圈20	Plain washer 20	2	
16	254G3.56A.030	左调节板焊合	Left regulate board	1	
17	GB/T882-1986-B20×50	销轴B20×50	Clevis pin with head B20×50	2	
18	GB/T882-1986-B12×50	销轴B12×50	Clevis pin with head B12×50	2	
19	300.56.157	圆板	Disk	2	
20	GB/T93-1987-16	垫圈16	Spring lock washer 16	2	
21	GB/T6170-2000-M16	螺母M16	Hex. nut M16	2	
22	GB/T882-1986-B16×52	销轴B16×52	Clevis pin with head B16×52	4	
23	200.56.016	上拉杆连接销总成	Coupling pin of upper link	2	
24	254G3.56.101	下拉杆连接轴	Lower link shaft	2	
25	GB/T6170-2000-M24	螺母M24	Hex. nut M24	2	

### 19.B 悬挂装置总成 Suspension Mechanism

续表

Ser.No.	Part No.	名称及规格	Name & Specifications	Quantity	Remarks
26	GB/T93-1987-24	垫圈24	Spring lock washer 24	2	
27	254G3.56.019	上拉杆后螺杆焊合件	Upper link rear adjusting rod	1	
28	GB/T6171-2000-M22×2(left)	螺母M22×2 (左)	Hex. nut M22×2 ( left )	1	
29	200.56.102	限位弹簧	Spring coil	1	
30	JB/T7940.1-1995-M6	油杯M6	Grease nipple M6	3	
31	254G3.56.018	上拉杆螺管焊合件	Turn buckle of upper link	1	
32	GB/T6171-2000-M22×2	螺母M22×2	Hex. nut M22×2	1	
33	254G3.56.017	上拉杆前螺杆焊合件	Upper link front adjusting rod	1	
34	254G3.56A.031	右调节板焊合	Right regulate board	1	
35	254G3.56A.029	右下拉杆焊合件	Right lower link weldment	1	
36	200.56.101-1	R销	R-pin	4	
37	254G3.56.022	提升杆下叉焊合件	Lower clevis of lift rod	2	
38	GB/T6171-2000-M20×2 (left)	螺母M20×2 (左)	Hex. nut M20×2 ( left )	2	
39	254G3.56.114	提升杆螺管	Adjusting sleeve	2	
40	GB/T6171-2000-M20×2	螺母M20×2	Hex. nut M20×2	2	
41	254G3.56.020	提升杆上叉焊合件	Lift rod up clevis	2	

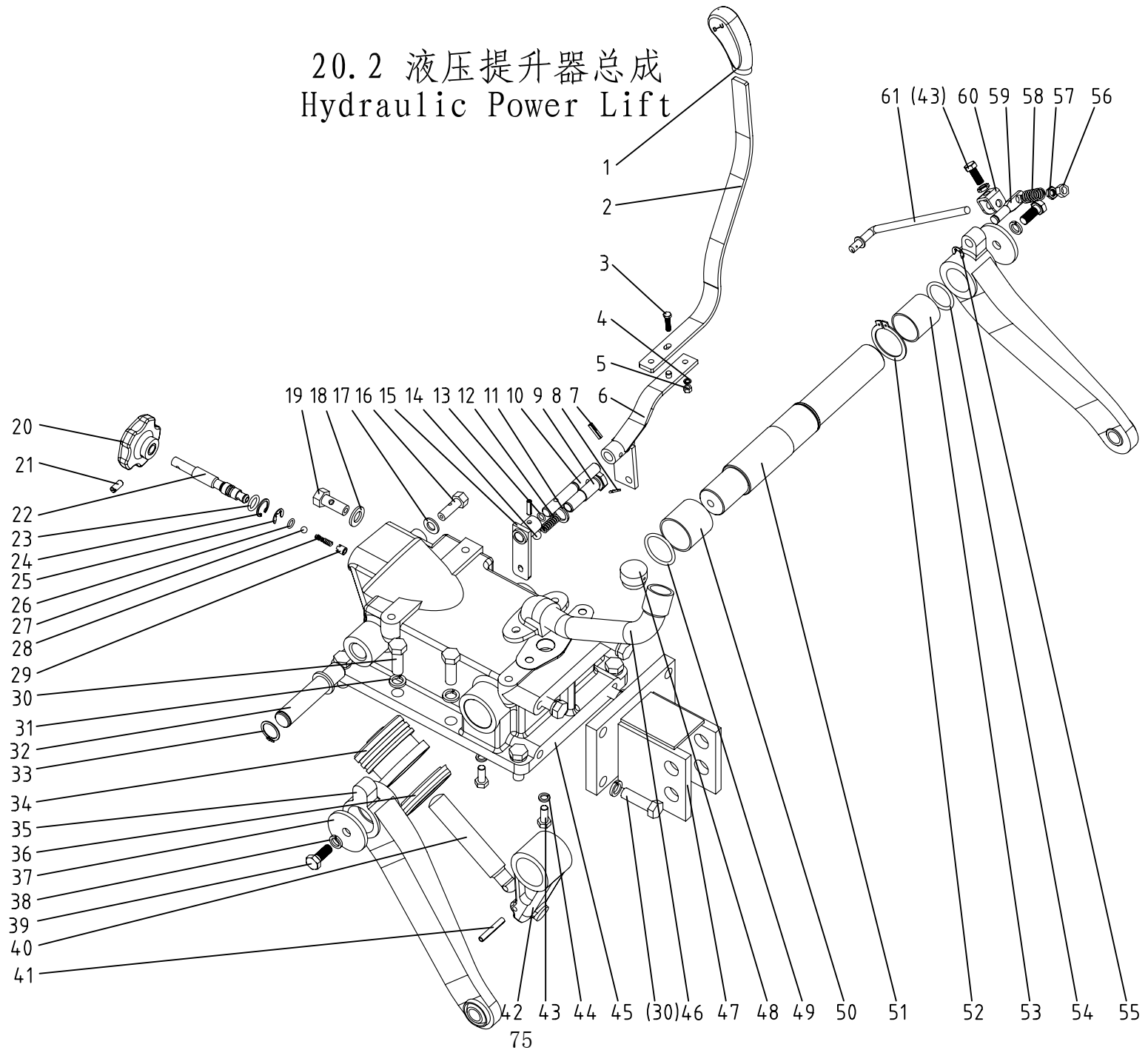
# 20.1 分配器总成 Hydraulic Oil Distributor



### 20.1 分配器总成 Hydraulic Oil Distributor

Ser.No.	Part No.	名称及规格	Name & Specifications	Quantity	Remarks
1	GB/T3452.1-1992-9.5×1.8	O形密封圈9.5×1.8	O-ring seal 9.5×1.8	2	
2	254G3.57.101	分配器壳体	Distributor body	1	
3	254G3.57.102	操纵阀	Manipulate the valve	1	
4	GB/T896-1986-9	挡圈9	Circlip 9	1	
5	GB/T879.1-1986-6×20	弹性销6×20	Flexibility pin 6×20	1	
6	254G3.57.105	螺塞	Plug	1	
7	254G3.57.110;111;112	调整垫片	Adjusting shims	按需 need	
8	254G3.57.106	安全阀弹簧	Safe valve spring	1	
9	254G3.57.103	安全阀阀杆	Valve pole of safe valve	1	
10	254G3.57.104	安全阀阀座	Valve seat of safe valve	1	

# 20.2 液压提升器总成 Hydraulic Power Lift



## 20.2 液压提升器总成 Hydraulic Power Lift

Ser.No.	Part No.	名称及规格	Name & Specifications	Quantity	Remarks
1	254G3.55.021	提升器操纵杆手柄总成	Hydraulic power lift control handle	1	
2	254G3.55.139	提升器操纵杆	Control lever	1	
3	GB/T5783-2000-M5×20	螺栓M5×20	Hex. head bolt M5×20	1	
4	GB/T93-1987-5	垫圈5	Spring washer 5	1	
5	GB/T6170-2000-M5	螺母M5	Hexagon nut M5	1	
6	254G3.55.014	连接杆焊合件	Conjunction pole	1	
7	GB/T879.4-2000-5×20	弹性销5×20	Slotted spring pin 5×20	2	
8	GB/T91-2000-2×12	开口销2×12	Split pin 2×12	1	
9	254G3.55.112	弹簧座	Spring coil	1	
10	254G3.55.110	连接轴	Conjunction stalk	1	
11	GB/T3541-1983-16	垫圈16	Washer 16	1	
12	450.38.160	定位弹簧	Fixed position spring coil	1	
13	GB/T3452.1-1992-9×1.8	O形密封圈9×1.8	O-ring seal 9×1.8	1	
14	GB/T308-2002-9.5	钢球9.5	Steel ball 9.5	1	
15	254G3.55.015	控制杆焊合件	Control column	1	
16	GB/T5786-2000-M10×1×12	螺栓M10×1×12	Hex. head bolt M10×1×12	1	
17	GB/T3541-1983-10	垫圈10	Washer 10	1	
18	GB/T3541-1983-12	垫圈12	Washer 12	1	
19	GB/T5786-2000-M12×1.25×16	螺栓M12×1.25×16	Hex. head bolt M12×1.25×16	1	
20	300.55.020	手轮胶合件	Handwheel assy	1	
21	GB/T73-1985-M5×12	螺钉M5×12	Screw M5×12	2	
22	254G3.55.107	控制阀	Control valve	1	
23	254G3.55.106	挡圈	Openings Circlip	1	
24	254G3.55.118	孔用挡圈20	Circlip for bore 20	1	
25	GB/T896-1986-9	挡圈9	Openings Circlip 9	1	

## 20.2 液压提升器总成 Hydraulic Power Lift

续表

Ser.No.	Part No.	名称及规格	Name & Specifications	Quantity	Remarks
26	GB/T3452.1-1992-10×1.8	O形密封圈10×1.8	O-ring seal 10×1.8	1	
27	GB/T308-2002-7	钢球7	Steel ball 7	1	
28	254G3.55.108-1	节流阀压簧	Spring coil of valve	1	
29	254G3.55.109-1	阀座	Valve	1	
30	GB/T5783-2000-M12×35	螺栓M12×35	Hex. head bolt M12×35	12	
31	GB/T93-1987-12	垫圈12	Spring washer 12	12	
32	254G3.55.116	操纵轴	Manipulate the stalk	1	
33	GB/T894.1-1986-20	挡圈20	Circlip for shaft 20	1	
34	254G3.55.102	活塞	Piston	1	
35	254G3.55.016	提升臂合件	Lift arm	2	
36	254G3.55.103	Y <sub>x</sub> 型密封圈D70	Y <sub>x</sub> -seal D70	1	
37	200.55.107	压板	Clamping plate	2	
38	GB/T93-1987-10	垫圈10	Spring washer 10	2	
39	GB/T5783-2000-M10×25	螺栓M10×25	Hex. head bolt M10×25	2	
40	254G3.55.104	活塞顶杆	Piston push rod	1	
41	GB/T879.4-2000-6×40	弹性销6×40	Pin 6×40	1	
42	254G3.55.105	内提升臂	Inner lift arm	1	
43	GB/T5783-2000-M8×20	螺栓M8×20	Hex. head bolt M8×20	3	
44	GB/T93-1987-8	垫圈8	Spring washer 8	2	
45	254G3.55.101	提升器壳体	Lift case	1	
46	254G3.55.011-1	加油管焊合件	Inlet pipe	1	
47	254G3.55.012	上悬挂架焊合件	Up hang	1	
48	61.72.120-1	加油塞	Encourage plug	1	
49	GB/T3452.1-1992-38.7×3.55	O形密封圈38.7×3.55	O-ring seal 38.7×3.55	1	

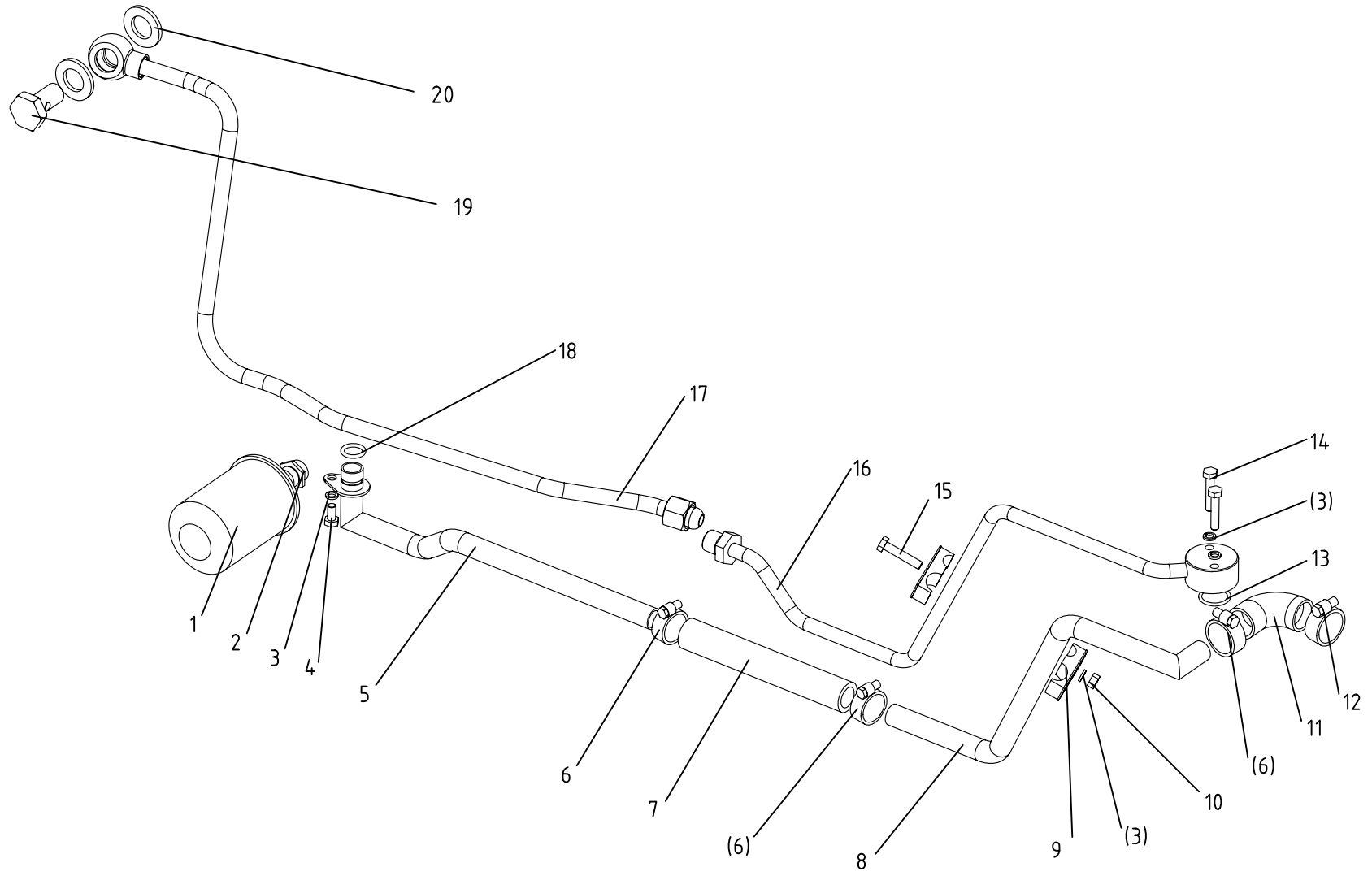
## 20.2 液压提升器总成 Hydraulic Power Lift

续表

Ser.No.	Part No.	名称及规格	Name & Specifications	Quantity	Remarks
50	254G3.55.115	衬套	Bush	1	
51	254G3.55.114	提升轴	Lift shaft	1	
52	GB/T894.1-1986-38	挡圈38	Circlip for shaft 38	1	
53	254G3.55.113	衬套	Bush	1	
54	GB/T3452.1-1992-33.5×3.55	O形密封圈33.5×3.55	O-ring seal 33.5×3.55	1	
55	GB/T896-1986-8	挡圈8	Openings Circlip 8	1	
56	GB/T6170-2000-M8	螺母M8	Hexagon nut M8	1	
57	GB/T6172-2000-M8	螺母M8	Hexagon nut M8	2	
58	254G3.55.149	联动杆压簧	Linkage rod spring	1	
59	254G3.55.148	联动销	Linkage pin	1	
60	254G3.55.020	U型挡板焊合件	U-limit spot	1	
61	254G3.55.019	联动杆焊合件	Linkage rod	1	



# 21 液压提升管路总成 Hydraulic Lifting Pipeline Assembly

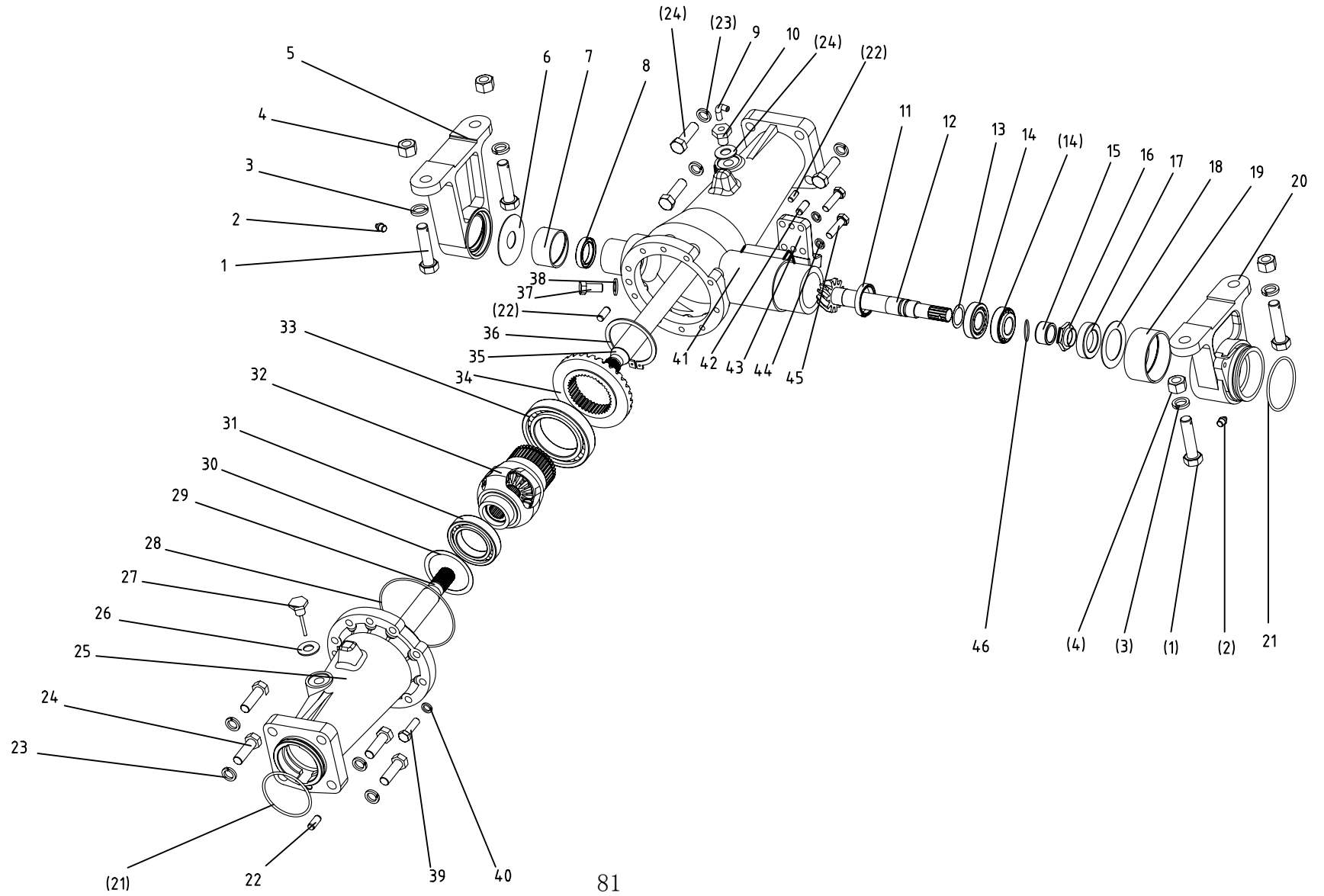


## 21 液压提升管路总成 Hydraulic Lifting Pipeline Assembly

Ser.No.	Part No.	名称及规格	Name & Specifications	Quantity	Remarks
1	YX0811A2-0000	滤清器总成	Filter	1	
2	254G3.58.101	滤清器接头	Filter tie-in	1	
3	GB/T93-1987-8	垫圈 8	Spring washer 8	4	
4	GB/T5783-2000-M8×16	螺栓 M8×16	Hex. head bolt M8×16	1	
5	254G3.58.012	双联泵进油管后段焊合件	Tail inlet pipe assy of gear pump	1	
6	JB/T8870-1999-(20-32)	喉箍 (20-32)	Hoop (20-32)	3	
7	JB/T6015-2000-22A-200	输油胶管 22A-200	Hose 22A-200	1	
8	254G3.58.013	双联泵进油管前段焊合件	Head inlet pipe assy of gear pump	1	
9	550A.58.102	管夹	Pipe clamp	2	
10	GB/T6170-2000-M8	螺母 M8	Hex. nut M8	1	
11	254G3.58.102	连接胶管	Linking pipe	1	
12	JB/T8870-1999-(25-38)	喉箍 (25-38)	Hoop (25-38)	1	
13	GB/T3452.1-1992-18×2.65	O形圈 18×2.65	O-ring seal 18×2.65	1	
14	GB/T5783-2000-M8×35	螺栓 M8×35	Hex. head bolt M8×35	2	
15	GB/T5783-2000-M8×40	螺栓 M8×40	Hex. head bolt M8×40	1	
16	254G3.58.021	双联泵出油管焊合件	Outlet pipe assy of gear pump	1	
17	254G3.58.025-1	提升器进油管焊合件	Inlet pipe weldment	1	
18	GB/T3452.1-1992-19×2.65	O形圈 19×2.65	O-ring seal 19×2.65	1	
19	JB/T6013-2000-M16×1.5	铰接螺栓 M16×1.5	link bolt M16×1.5	1	
20		A型防漏垫圈16	Type A leakproof packing	2	

## 22.1 前驱动桥总成(中)

### Front Wheel Drive Axle(milldle)



## 22.1 前驱动桥总成（中） Front Wheel Drive Axle (middle)

Ser.No.	Part No.	名称及规格	Name & Specifications	Quantity	Remarks
1	GB/T27-1988-M16×50	螺栓 M16×50	Hex. head bolt M16×50	4	
2	JB/T7940.1-1995 -M10×1	油杯 M10×1	Grease cup M10×1	2	
3	GB/T93-1987-16	垫圈 16	Spring lock washer 16	4	
4	GB/T6170-2000-M16	螺母 M16	Hex. nut M16	4	
5	254G3.31.142	前支座	Front pedestal	1	
6	254G3.31.120	前支座垫圈	Front pedestal washer	按需 need	
7	254G3.31.143	前支座衬套	Front pedestal bush	1	
8	GB/T9877.1-1988-B50×65×6	油封 B50×65×6	Oil-seal B50×65×6	1	
9	304.31.118-1	通气螺塞	Vent plug	1	
10	304.31.119	通气管	Vent pipe	1	
11	GB/T9877.1-1988-B70×85×6	油封 B70×85×6	Oil-seal B70×85×6	1	
12	254G3.31.123	主动圆锥齿轮	Bevel drive pinion	1	
13	254G3.31.122	主动圆锥齿轮调整垫片	Adjusting shims	按需 need	
14	GB/T297-1994-30205	轴承 30205	Taper roller bearing 30205	2	
15	254G3.31.125	主动锥齿轮油封座圈	Oil-seal seat	1	
16	254G3.31.126	螺母	Hex. nut	1	
17	GB/T9877.1-1988-FB32×52×12	油封 FB32×52×12	Oil-seal FB32×52×12	1	
18	254G3.31.124	后支座垫圈	Rear pedestal washer	按需 need	
19	254G3.31.140	后支座衬套	Rear pedestal bush	1	
20	254G3.31.139	后支座	Rear pedestal	1	
21	GB/T3452.1-1992-73×3.55	O型密封圈 73×3.55	O-ring seal 73×3.55	3	
22	GB/T119.2-2000-B10×24	销 B10×24	Straight pin B10×24	3	
23	GB/T93-1987-14	垫圈 14	Spring lock washer 14	8	
24	GB/T5783-2000-M14×45	螺栓 M14×45	Hex. head bolt M14×45	8	
25	254G3.31.106	左半轴套管	Left half shaft housing	1	

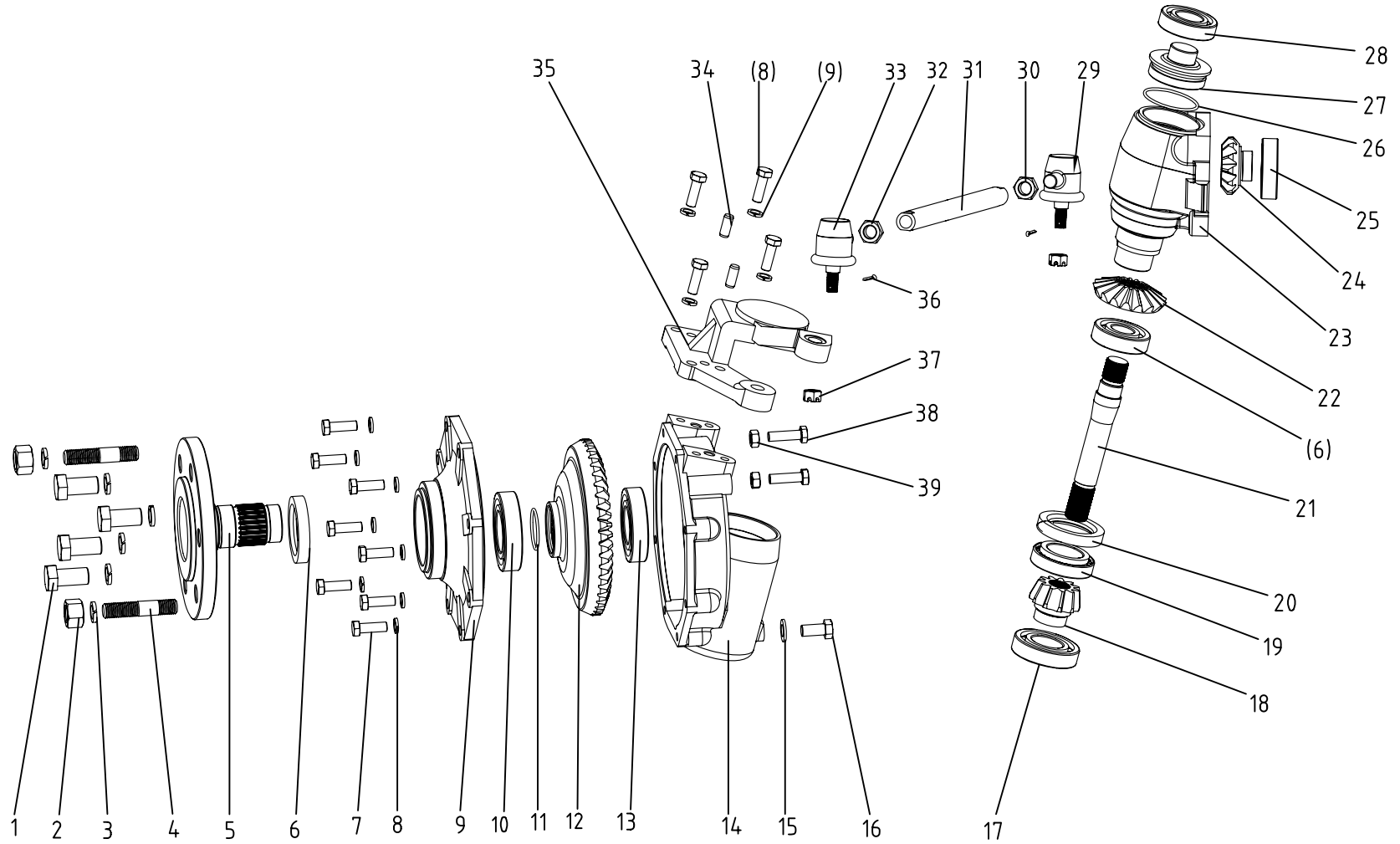
## 22.1 前驱动桥总成（中） Front Wheel Drive Axle (middle)

续表

Ser.No.	Part No.	名称及规格	Name & Specifications	Quantity	Remarks
26	12.37.149	组合密封垫圈	Combined seal washer	1	
27	304.31.013-1	量油尺合件	Oil dipstick	1	
28	GB/T3452.1-1992-118×2.65	O型密封圈 118×2.65	O-ring seal 118×2.65	1	
29	254G3.31.105	左半轴	Left half shaft	1	
30	850-2.39.112/113	调整垫片	Adjusting shims	按需 need	
31	GB/T276-1994-6010	轴承 6010	Ball bearing 6010	1	
32	254G3.31.011	差速器总成	Differential assembly	1	
33	GB/T276-1994-6014	轴承 6014	Ball bearing 6014	1	
34	254G3.31.103	被动圆锥齿轮	Crown gear	1	
35	254G3.31.102	右半轴	Right half shaft	1	
36	GB/T894.1-1986-70	挡圈 70	Blocking ring 70	1	
37	GB/T5786-2000-M12×1.5×12	螺栓 M12×1.5×12	Hex. head bolt M12×1.5×12	1	
38	JB892-1977-12	组合密封垫圈12	Combined seal washer 12	1	
39	GB/T5783-2000-M10×35	螺栓 M10×35	Hex. head bolt M10×35	8	
40	GB/T93-1987-10	垫圈 10	Spring lock washer 10	8	
41	254G3.31.101	右半轴套管	Right half shaft housing	1	
42	GB/T119.2-2000-B12×26	销 B12×26	Straight pin B12×26	2	
43	254G3.31.121	油缸支架	Hydraulic cylinder bracket	1	
44	GB/T93-1987-12	垫圈 12	Spring lock washer 12	4	
45	GB/T5783-2000-M12×40	螺栓 M12×40	Hex. head bolt M12×40	4	
46	GB/T3452.1-1992-20×2.65	O型密封圈 20×2.65	O-ring seal 20×2.65	1	

## 22.2 前驱动桥总成(左边减速)

### Front Wheel Drive Axle(Left Side-Slowdown)



## 22.2 前驱动桥总成（左边减速） Front Wheel Drive Axle(Left Side-Slowdown)

Ser.No.	Part No.	名称及规格	Name & Specifications	Quantity	Remarks
1	GB/T5786-2000-M18×1.5×35	螺栓 M18×1.5×35	Hex. head bolt M18×1.5×35	4	
2	GB/T6176-2000-M18×1.5	螺母 M18×1.5	Hex. nut M18×1.5	2	
3	GB/T93-1987-18	垫圈18	Spring lock washer 18	6	
4	304.31.179	螺柱	Double screw bolt	2	
5	254G3.31.118	驱动轴	Drive shaft	1	
6	404-9.31.111	防泥水油封MC50×72×12/15	Oil-seal MC50×72×12/15	2	
7	GB/T5783-2000-M10×30	螺栓 M10×30	Hex. head bolt M10×30	12	
8	GB/T93-1987-10	垫圈 10	Spring lock washer 10	12	
9	254G3.31.116	驱动轴盖	Drive shaft cover	1	
10	GB/T276-1994-6209	轴承 6209	Ball bearing 6209	1	
11	304.31.102-2	驱动轴固定圈	Fixing ring of drive shaft	2	
12	254G3.31.117	末减速被动齿轮	Driven bevel gear of final drive	1	
13	GB/T276-1994-6208	轴承 6208	Ball bearing 6208	1	
14	254G3.31.114	边减速壳体	Final drive housing	1	
15	JB892-1977-12	组合密封垫圈 12	Combined seal washer 12	1	
16	GB/T5786-2000-M12×1.5×12	螺栓 M12×1.5×12	Hex. head bolt M12×1.5×12	1	
17	GB/T276-1994-6207	轴承 6207	Ball bearing 6207	1	
18	254G3.31.119	末减速主动齿轮	Driving bevel gear of final drive	1	
19	GB/T297-1994 -32008	轴承 32008	Taper roller bearing 32008	1	
20	254G3.31.110	立轴	Upright shaft	1	
21	GB/T276-1994-6305	轴承 6305	Ball bearing 6305	1	
22	254G3.31.111	中间传动被动齿轮	Driven bevel gear of the first drive	1	
23	254G3.31.104	左立轴套管	Left upright shaft housing	1	
24	254G3.31.107	中间传动主动齿轮	Driving bevel gear of the first drive	1	
25	GB/T276-1994-62/32	轴承 62/32	Ball bearing 62/32	1	

## 22.2 前驱动桥总成（左边减速） Front Wheel Drive Axle(Left Side-Slowdown)

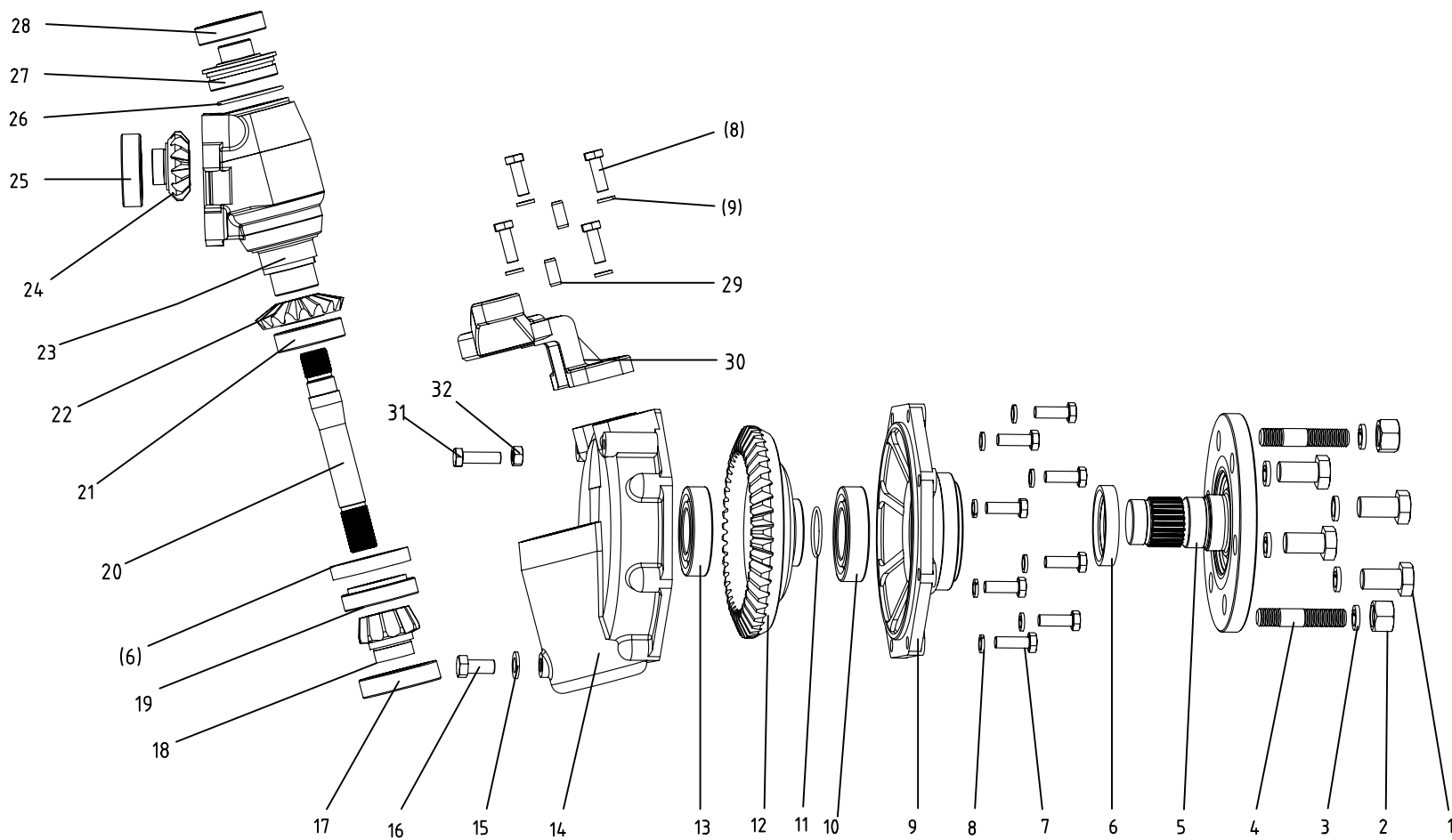
续表

Ser.No.	Part No.	名称及规格	Name & Specifications	Quantity	Remarks
26	GB/T3452.1-1992-56×2.65	O型密封圈 56×2.65	O-ring seal 56×2.65	1	
27	254G3.31.108	上轴承座	Upper bearing pedestal	1	
28	GB/T276-1994-6206-Z	轴承 6206-Z	Ball bearing 6206-Z	1	
29	300.31.027	转向接头总成(右)	Linkage ball joint(Right)	1	
30	GB/T6173-2000-M16×1.5	螺母 M16×1.5	Hex. nut M16×1.5	1	
31	254G3.31.137	横拉杆	Steering tie rod	1	
32	GB/T6173-2000-M16×1.5-Left	螺母 M16×1.5-左	Hex. nut M16×1.5-Left	1	
33	300.31.026	转向接头总成(左)	Linkage ball joint(Left)	1	
34	GB/T119.2-2000-B10×24	销 B10×24	Straight pin B10×24	2	
35	254G3.31.112	左转向臂	Left steering arm	1	
36	GB/T91-2000- 3.2×24	销 3.2×24	Split pin 3.2×24	2	
37	GB/T6181-2000-M12	螺母 M12	Hex. nut M12	2	
38	GB/T5783-2000-M12×50	螺栓 M12×50	Hex. head bolt M12×50	1	
39	GB/T6170-2000-M12	螺母 M12	Hex. nut M12	1	



### 22.3 前驱动桥总成(右边减速)

### Front Wheel Drive Axle (Right Side-Slowdown)



### 22.3 前驱动桥总成（右边减速） Front Wheel Drive Axle(Right Side-Slowdown)

Ser.No.	Part No.	名称及规格	Name & Specifications	Quantity	Remarks
1	GB/T5786-2000-M18×1.5×35	螺栓M18×1.5×35	Hex. head bolt M18×1.5×35	4	
2	GB/T6176-2000-M18×1.5	螺母M18×1.5	Hex. nut M18×1.5	2	
3	GB/T93-1987-18	垫圈18	Spring lock washer 18	6	
4	304.31.179	螺柱	Double screw bolt	2	
5	254G3.31.118	驱动轴	Drive shaft	1	
6	404-9.31.111	防泥水油封MC50×72×12/15	Oil-seal MC50×72×12/15	2	
7	GB/T5783-2000-M10×30	螺栓M10×30	Hex. head bolt M10×30	12	
8	GB/T93-1987-10	垫圈10	Spring lock washer 10	12	
9	254G3.31.116	驱动轴盖	Drive shaft cover	1	
10	GB/T276-1994-6209	轴承6209	Ball bearing 6209	1	
11	304.31.102-2	驱动轴固定圈	Fixing ring of drive shaft	2	
12	254G3.31.117	末减速被动齿轮	Driven bevel gear of final drive	1	
13	GB/T276-1994-6208	轴承6208	Ball bearing 6208	1	
14	254G3.31.114	边减速壳体	Final drive housing	1	
15	JB892-1977-12	组合密封垫圈12	Combined seal washer 12	1	
16	GB/T5786-2000-M12×1.5×12	螺栓M12×1.5×12	Hex. head bolt M12×1.5×12	1	
17	GB/T276-1994-6207	轴承6207	Ball bearing 6207	1	
18	254G3.31.119	末减速主动齿轮	Driving bevel gear of final drive	1	
19	GB/T297-1994 -32008	轴承32008	Taper roller bearing 32008	1	
20	254G3.31.110	立轴	Upright shaft	1	
21	GB/T276-1994-6305	轴承6305	Ball bearing 6305	1	
22	254G3.31.111	中间传动被动齿轮	Driven bevel gear of the first drive	1	
23	254G3.31.109	立轴套管	Upright shaft housing	1	
24	254G3.31.107	中间传动主动齿轮	Driving bevel gear of the first drive	1	
25	GB/T276-1994-62/32	轴承62/32	Ball bearing 62/32	1	

### 22.3 前驱动桥总成（右边减速） Front Wheel Drive Axle(Right Side-Slowdown)

续表

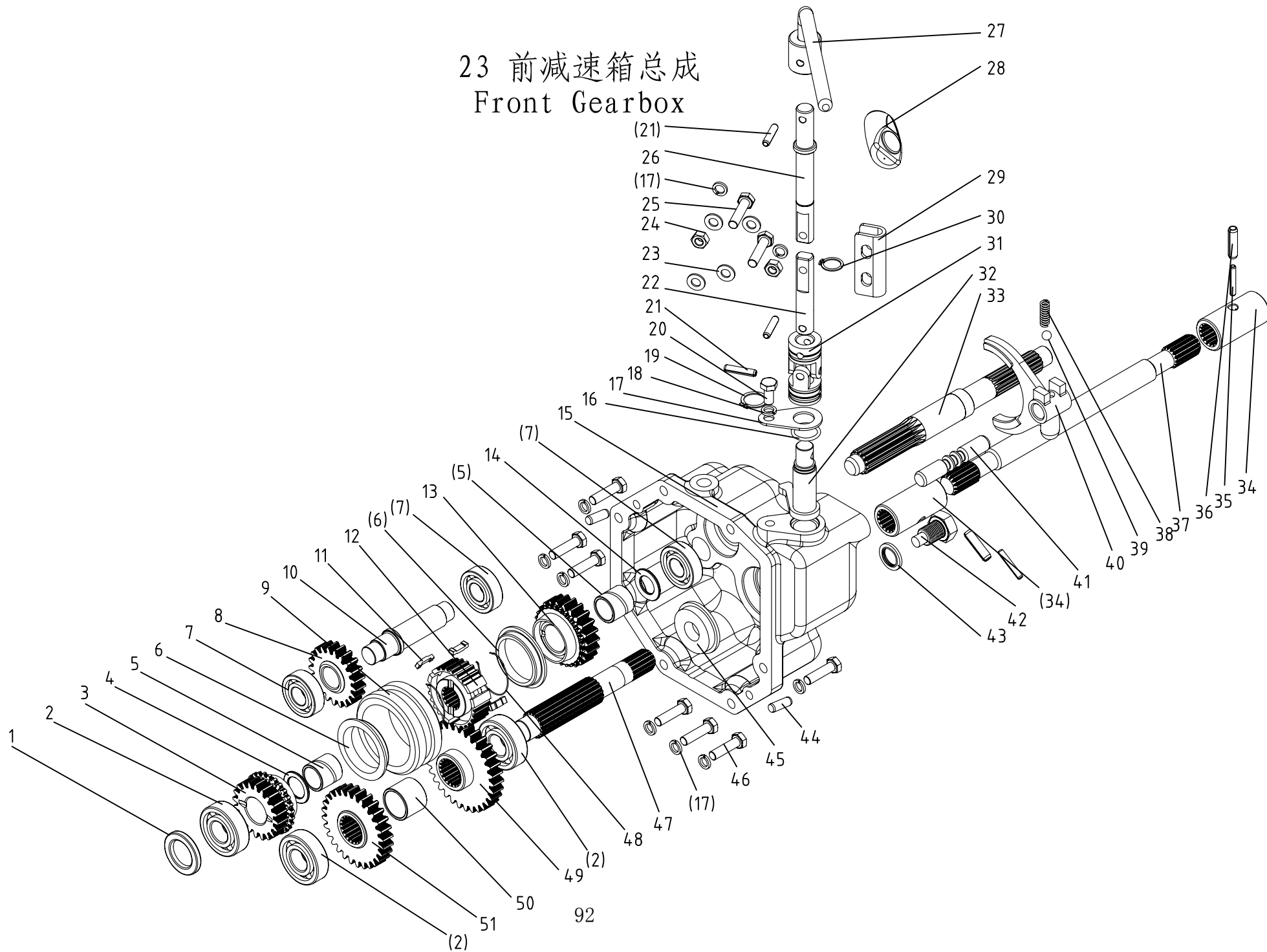
Ser.No.	Part No.	名称及规格	Name & Specifications	Quantity	Remarks
26	GB/T3452.1-1992-56×2.65	O型密封圈56×2.65	O-ring seal 56×2.65	1	
27	254G3.31.108	上轴承座	Upper bearing pedestal	1	
28	GB/T276-1994-6206-Z	轴承6206-Z	Ball bearing 6206-Z	1	
29	GB/T119.2-2000-B10×24	销B10×24	Straight pin B10×24	2	
30	254G3.31.113	右转向臂	Right steering arm	1	
31	GB/T5783-2000-M12×50	螺栓M12×50	Hex. head bolt M12×50	1	
32	GB/T6170-2000-M12	螺母M12	Hex. nut M12	1	



22.4 前驱动桥总成 (254G3.31.011部件) Front Wheel Drive Axle(254G3.31.011 Assembly)

Ser.No.	Part No.	名称及规格	Name & Specifications	Quantity	Remarks
1	254G3.31.132	半轴齿轮垫圈	Half shaft gear washer	2	
2	254G3.31.131	差速器半轴齿轮	Half shaft gear	2	
3	254G3.31.130	差速器壳体	Differential housing	1	
4	254G3.31.135	行星齿轮轴	Planet gear shaft	1	
5	GB/T879.1-2000-4×35	销 4×35	Straight pin 4×35	1	
6	254G3.31.133	差速器行星齿轮	Planet gear	2	
7	254G3.31.134	行星齿轮垫圈	Planet gear washer	2	

# 23 前减速箱总成 Front Gearbox



### 23 前减速箱总成 Front Gearbox

Ser.No.	Part No.	名称及规格	Name & Specifications	Quantity	Remarks
1	GB/T9877.1-1988-FB25×40×7	油封FB25×40×7	Oil seal FB25×40×7	1	
2	GB/T276-1994-6204	轴承6204	Bearing 6204	3	
3	254G3.29.012	梭行挡主动齿轮焊合件	Driving gear	1	
4	254G3.29.103	隔圈(一)	Spacing collar( I )	1	
5	254G3.29.104	衬套	Bush	2	
6	254G3.37.118	同步环	Synthronizing ring	2	
7	GB/T276-1994	轴承6203	bearing 6203	3	
8	254G3.29.109	梭行挡中间齿轮	Middle gear	1	
9	254G3.37.123	滑动齿套	Sliding gear sleeve	1	
10	254G3.29.108	梭行挡中间轴	Middle gear	1	
11	254G3.37.121	同步器拨块	Synthronizing shife	3	
12	254G3.29.107	同步器齿座	Synthronizing gear seat	1	
13	254G3.29.011	前减速主动齿轮焊合件	Driving gear	1	
14	254G3.29.140	隔圈(二)	Spacing collar( II )	1	
15	254G3.29.101	前减速箱体	Gearbox housing	1	
16	GB/T3452.1-1992-20×2.65	O型圈20×2.65	O-ring seal 20×2.65	1	
17	504G3.37.168	挡板	Baffle	1	
18	GB/T93-1987-8	垫圈8	Spring lock washer 8	10	
19	GB/T894.1-1986-18	挡圈18	Bead flange 18	1	
20	GB/T5783-2000-M8×16	螺栓M8×16	Hex. head bolt M8×16	1	
21	GB/T879.1-2000-6×30	销6×30	Pin 6×30	3	
22	254G3.29.142	连接轴	Joint shaft	1	
23	GB/T97.1-2002-8	垫圈8	Plain washer 8	2	
24	GB/T6170-2000-M8	螺母M8	Hex. nut M8	2	
25	GB/T5783-2000-M8×35	螺栓M8×35	Hex. head bolt M8×35	2	

### 23 前减速箱总成 Front Gearbox

续表

Ser.No.	Part No.	名称及规格	Name & Specifications	Quantity	Remarks
26	254G3.29.141	短连接轴	Short joint shaft	1	
27	254G3.29.014	梭行挡操纵杆焊合件	Shift level	1	
28	504G3.29.020	梭行挡操纵手柄	Shift level handle	1	
29	504G3.29.129	调节板	Adjusting plate	1	
30	GB/T894.1-1986-15	挡圈15	Bead flange 15	1	
31	504G3.29.015	万向节组合件 I	Gimbal	1	
32	254G3.29.013	梭行挡拨杆焊合件	Shift lever	1	
33	254G3.29.102	前减速输入轴	Input shaft	1	
34	254G3.29.116	接合套	Linking sleeve	2	
35	GB/T879.1-2000-5×30	销5×30	Pin 5×30	2	
36	GB/T879.1-2000-8×30	销8×30	Pin 8×30	3	
37	254G3.29.117	前减速传动轴	Shaft	1	
38	254G3.37.163	定位弹簧	Spring	1	
39	GB/T308-2002	钢球8	Steel ball 8	1	
40	254G3.29.111	梭行挡拨叉	Shift fork	1	
41	254G3.29.118	梭行挡拨叉轴	Patrol fork shaft	1	
42	200.38.024	放油螺塞总成	Bolt	1	
43	12.37.149	组合密封垫圈	Washer	1	
44	GB/T119.2-2000-B8×22	销B8×22	Round pin B8×22	2	
45	254G3.37.011	密封圈20×40×7	Seal ring 20×40×7	1	
46	GB/T5783-2000-M8×30	螺栓M8×30	Hex. head bolt M8×30	7	
47	254G3.29.113	前减速输出轴	Spacer	1	
48	254G3.37.122	弹簧	Spring	2	
49	254G3.29.112	前减速被动齿轮	Priven gear	1	

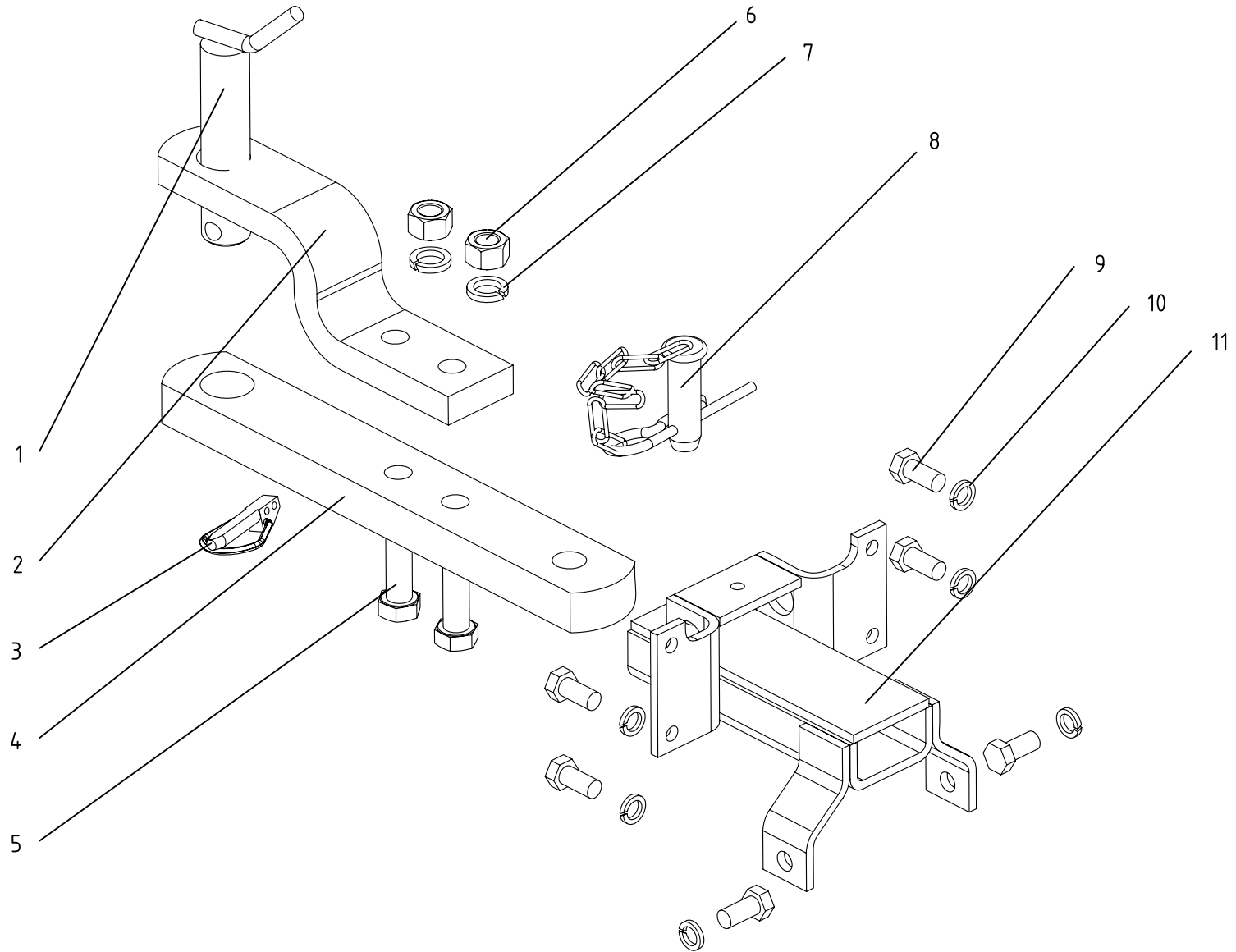


### 23 前减速箱总成 Front Gearbox

续表

Ser.No.	Part No.	名称及规格	Name & Specifications	Quantity	Remarks
50	254G3.29.114	前减速输出轴隔套	Spacer	1	
51	254G3.29.115	梭行挡被动齿轮	Driving gear	1	

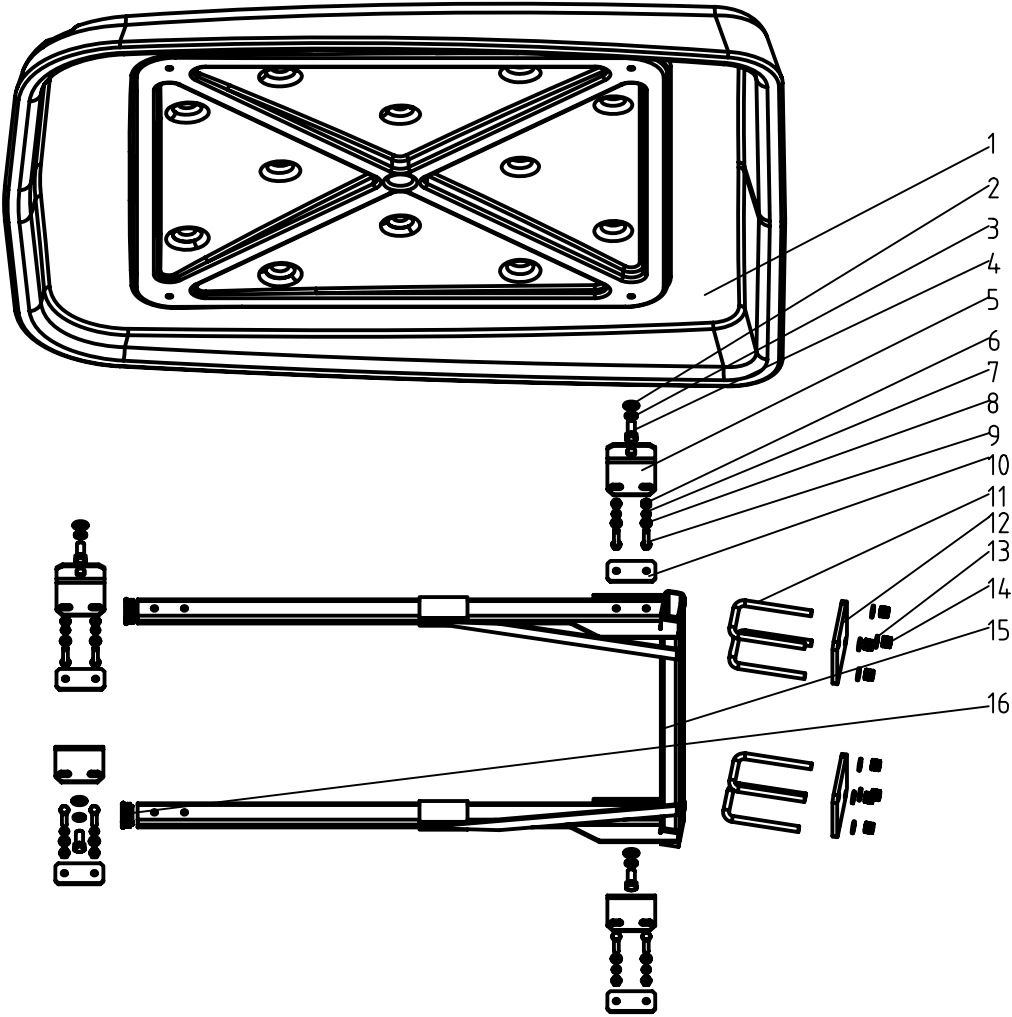
# 24 牵引架总成 Drawbar



## 24 牵引架总成 Drawbar

Ser.No.	Part No.	名称及规格	Name & Specifications	Quantity	Remarks
1	300.53.011	销轴焊合件	Oin shaft welded parts	1	
2	254G3.53.130	牵引卡	Drawbar damping plate	1	
3	200.56.011	锁销组合件	Spindle	1	
4	254G3.53.129-1	牵引板	Board for drawbar	1	
5	GB/T5782-2000-M16×70	螺栓M16×70	Hex. head bolt M16×70	2	
6	GB/T6170-2000-M16	螺母M16	Hex. nut M16	2	
7	GB/T93-1987-16	垫圈16	Spring lock washer 16	2	
8	254G3.53.015	牵引销总成	Hitch pin	1	
9	GB/T5783-2000	螺栓M12×25	Hex. head bolt M12×25	6	
10	GB/T93-1987	垫圈12	Spring lock washer 12	6	
11	254G3.53.011	牵引架焊合件	Drawbar frame	1	

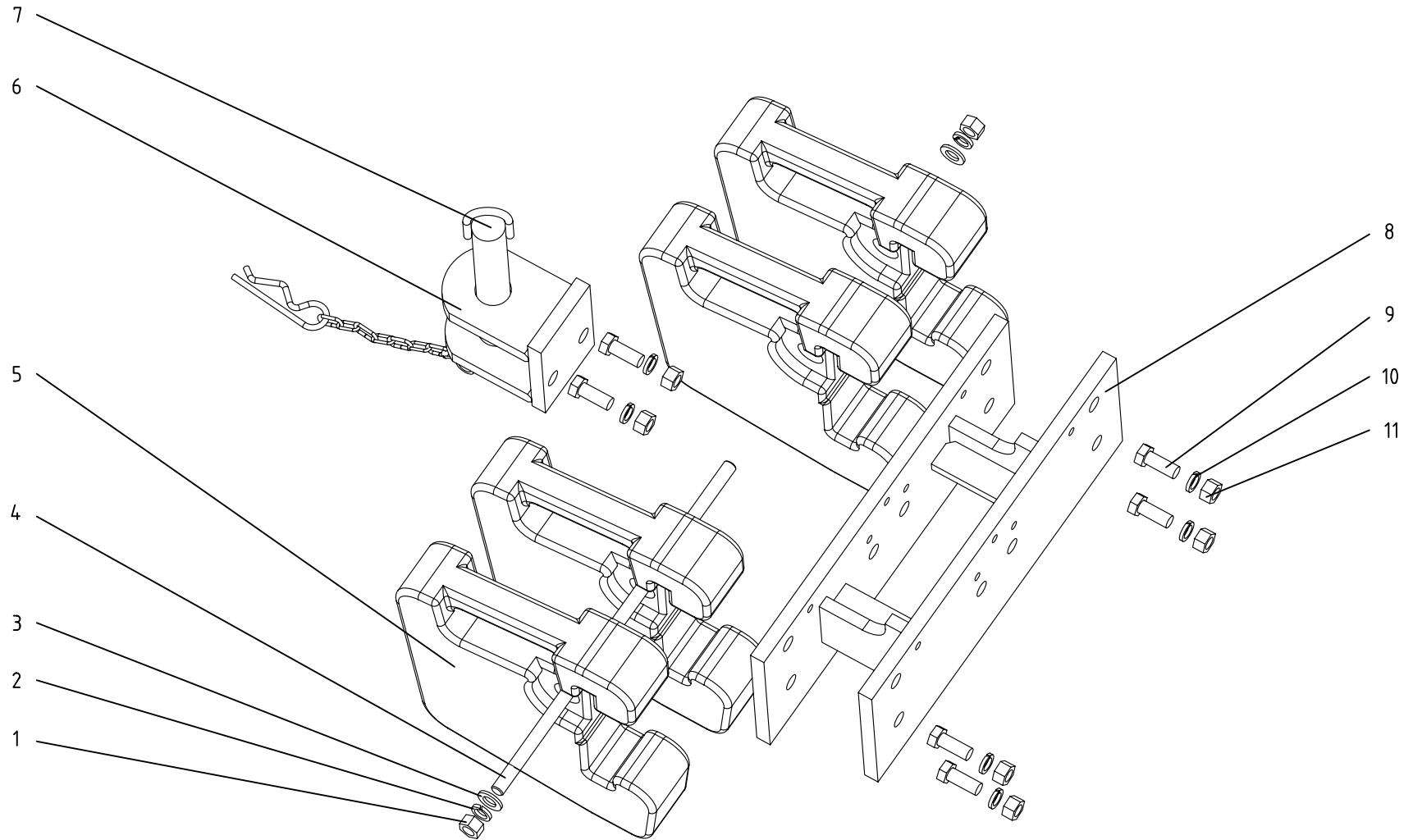
25 遮阳棚总成  
Sun shed



25 遮阳棚总成 Sun shed

Ser.No.	Part No.	名称及规格	Name & Specifications	Quantity	Remarks
1	254G3.45 .101	遮阳棚	Awning	1	
2	GB/T97.1-2002	垫圈12	Plain washer 12	4	
3	GB/T93-1987	垫圈12	Spring lock washer 12	4	
4	GB/T5783-2000	螺栓 M12x25	Bolt M12x25	4	
5	404-11.45 .104	连接板	Connect board	4	
6	GB/T6170-2000	螺母 M8	Hex. nut M8	8	
7	GB/T93-1987	垫圈8	Spring lock washer 8	8	
8	GB/T97.1-2002	垫圈8	Plain washer 8	8	
9	GB/T5783-2000	螺栓 M8x45	Bolt M8x45	8	
10	404-11.45 .102	垫板	Shim plate	4	
11	254G3.45 .103	U形螺栓	U-bolt	4	
12	404-11.45 .101	固定板	Fixed plate	2	
13	GB/T97.1-2002	垫圈10	Plain washer 10	8	
14	GB/T6182-2000	螺母 M10	Hex. nut M10	8	
15	400-6.45 .011	连接架焊合件	Link span	1	
16	254G3.45 .102	端盖	End closure	2	

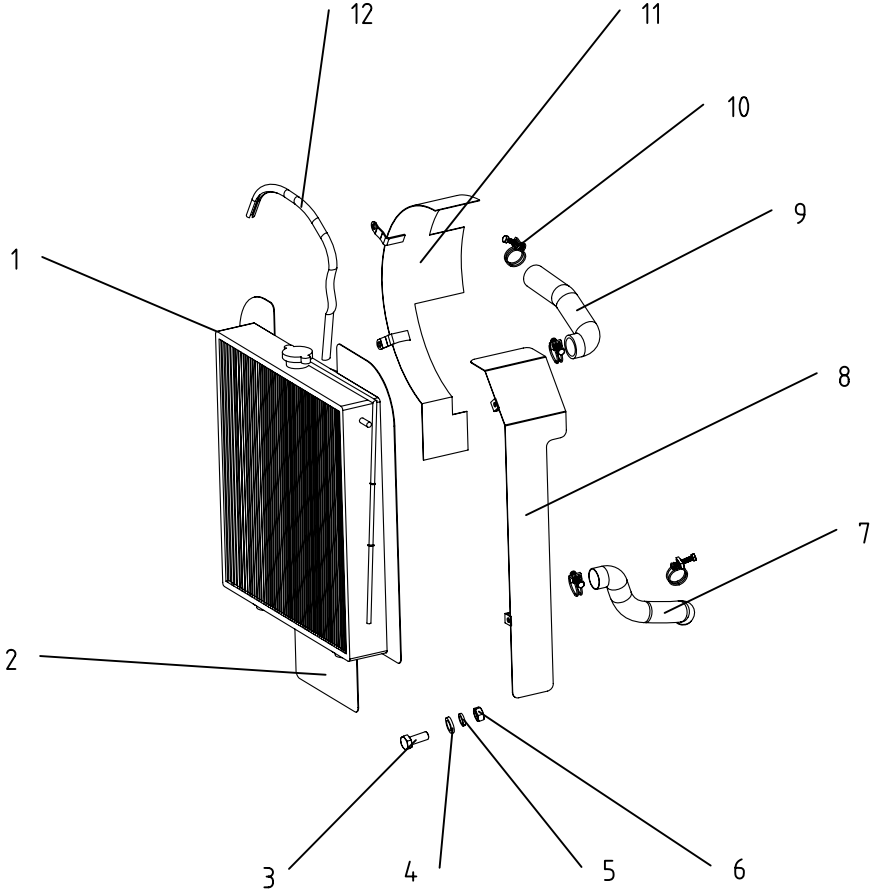
26 前配重总成  
Front Balance Weight



## 26. 前配重总成 Front Balance Weight

Ser. No.	Part No.	名称及规格	Name & Specifications	Quantity	Remarks
1	GB/T6170-2000-M12	螺母 M12	Hex. nut M12	2	
2	GB/T93-1987-12	垫圈12	Spring lock washer 12	2	
3	GB/T96-2002-12	垫圈12	Plain washer 12	2	
4	250.73.104	夹紧螺栓	Connecting bolt, front ballast	1	
5	250.73.101-1	配重	Balance Weight	6	
6	300-6.73.011-1	牵引板焊合件	Front drawbar weldment	1	
7	300-6.73.012	插销焊合件	Bolt welded parts	1	
8	254G3.73.011	配重架焊合件	Front Balance Weight Frame	1	
9	GB/T5783-2000-M14x45	螺栓 M14x45	Bolt M14x45	6	
10	GB/T93-1987-14	垫圈14	Spring lock washer 14	6	
11	GB/T6170-1986-M14	螺母M14	Hex. nut M14	6	

27 散热器总成  
Radiator

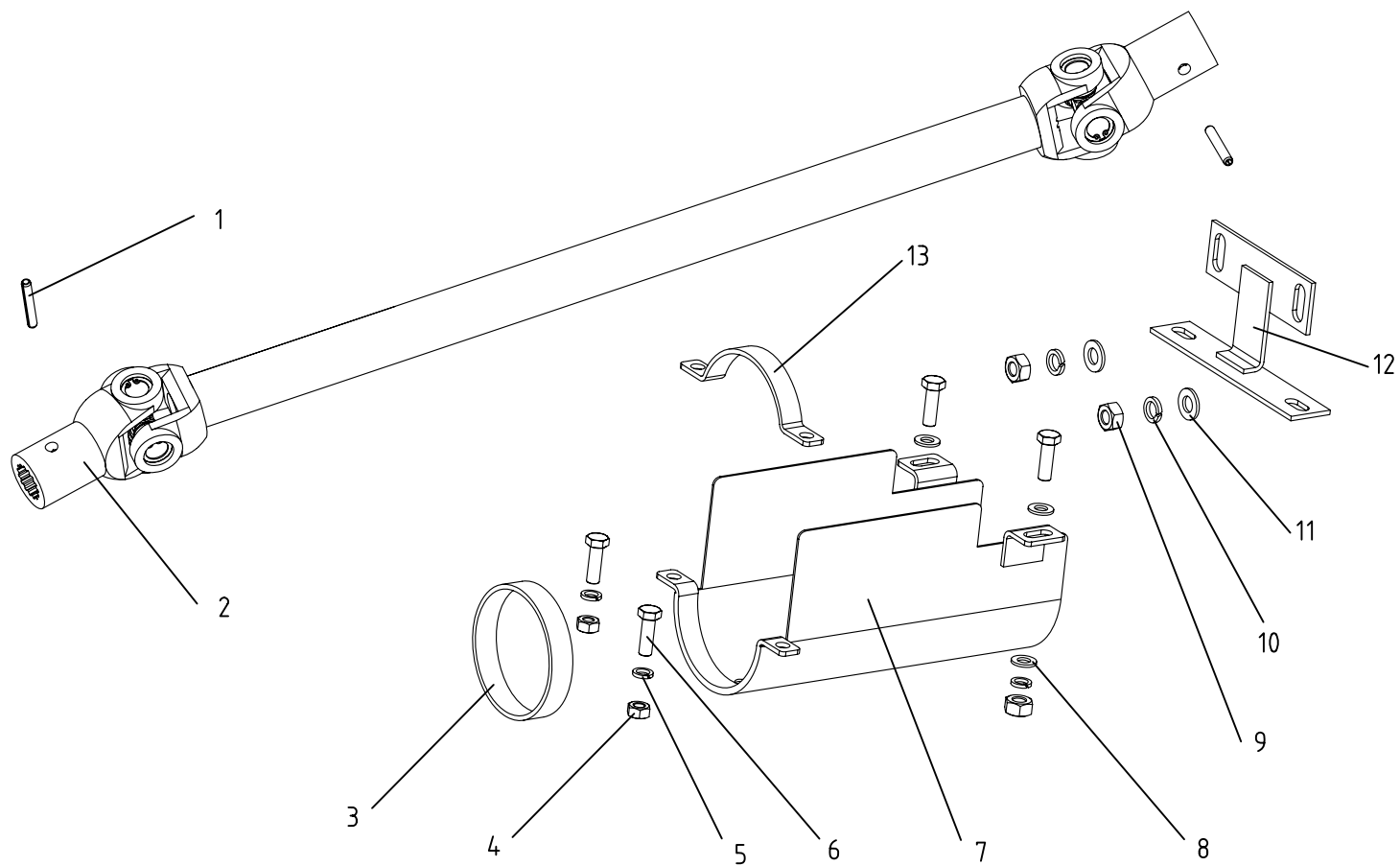




## 27 散热器总成 Radiator

Ser.No.	Part No.	名称及规格	Name & Specifications	Quantity	Remarks
1	254G3.13.011-1	散热器合件	Radiator	1	
2	254G3.13.101	隔热板	Heat shield	1	
3	GB/T5783-2000-M6×16	螺栓 M6×16	Bolt M6×16	2	
4	GB/T97.1-2002-6	垫圈 6	Plain washer 6	2	
5	GB/T93-1987-6	垫圈 6	Spring lock washer 6	2	
6	GB/T6170-2000-M6	螺母 M6	Hex. nut M6	2	
7	3M78-080002	水泵出水管	Lower water pipe hose	1	
8	254G3.13.013	左罩板焊合件	Left shielding board	1	
9	17000300	节温器出水管	Upper water hose	1	
10	JB/T8870-1999-2A(35-51)	喉箍2A (35-51)	Hose clamp2A (35-51)	4	
11	254G3.13.012	罩板焊合件	Shielding board	1	
12	550-1.51.101	密封条	Sealing strip	1	

# 28 传动轴总成 Transmission shaft



## 28 传动轴总成 Transmission shaft

Ser.No.	Part No.	名称及规格	Name & Specifications	Quantity	Remarks
1	GB/T879.1-2000-6×36	销 6×36	Slotted spring pin 6×36	2	
2	JFDF-X-01	传动轴	Transmission shaft	1	
3	254G3.36.104-1	橡胶板	Rubber board	1	
4	GB/T6170-2000-M8	螺母 M8	Hex. nut M8	4	
5	GB/T93-1987-8	垫圈 8	Spring lock washer 8	4	
6	GB/T5783-2000-M8×25	螺栓 M8×25	Hex. Head bolt M8×25	4	
7	254G3.36.016	防护罩焊合件	Shield weldment	1	
8	GB/T97.1-2002-8	垫圈 8	Flat washer 8	4	
9	GB/T6170-2000-M10	螺母 M10	Hex. nut M10	2	
10	GB/T93-1987-10	垫圈 10	Spring lock washer 10	2	
11	GB/T97.1-2002-10	垫圈 10	Flat washer 10	2	
12	254G3.36.017	安装板焊合件	Install board weldment	1	
13	254G3.36.108	抱箍 (一)	Hoop (one)	1	