

PARTS CATALOG

DONG FENG TRACTOR

★ DF404G2



目录 CONTENT

1	空滤器总成 Air filter	1
2	散热器总成 Radiator.....	3
3	油门操纵机构总成 Throttle Control Mechanism.....	5
4	离合器总成 Clutch	7
5	排气管总成 Exhaust Pipe	11
6	机架总成 Frame	13
7.1	前驱动桥总成（中） Front Driving Axle (Middle).....	15
7.2	前驱动桥总成（左边减速） Front Wheel Drive Axle (Left Side-Slowdown).....	18
7.3	前驱动桥总成（右边减速） Front Wheel Drive Axle (Right side-Slowdown).....	22
7.4	前驱动桥总成（304.31.022-1 部件） Front Wheel Drive Axle (304.31.022-1 Assembly)	26
7.5	前驱动桥总成（304.31.014A 部件） Front Wheel Drive Axle (304.31.014A Assembly)	28
8	前驱动轮总成 Front Drive Wheel.....	30
9	驱动轮总成 Drive Wheel.....	32
10.A	摆杆式牵引装置总成 Tractor Drawbar	34
10.B	牵引装置总成（旋转式） Clevis type	36
11	传动轴总成 Transmission Shaft	38
12.1	变速箱总成（A） Gearbox(A).....	41

12.2	变速箱总成 (B) Gearbox(B)	45
12.3	行星机构总成 Planet Mechanism System.....	50
13.1	后桥总成 (A) Rear Axle(A)	52
13.2	后桥总成 (B) Rear Axle(B)	54
13.3	操纵机构总成 Operation Mechanism System.....	56
13.4	差速锁总成 Differential Lock	59
14	最终传动总成 Final Transmission.....	62
15.1	液压转向系统总成 Full Hydraulic Power Steering Gear	64
15.2	转向总成 Steering System	68
16	动力输出总成 PTO	70
17	分动箱总成 Transfer Case.....	74
18	制动器及操纵机构总成 Brake Operation Mechanism	78
19	座椅总成 Seat.....	83
20.1	安全架总成 Safety Frame	85
20.2	前安全架总成 Front Safety Frame.....	87
21.1	机罩仪表罩总成 (A) Hood and Panel (A).....	89
21.2	机罩仪表罩总成 (B) Hood and Panel (B)	92
22	电气系统总成 Electrical System	95
23	工具箱总成 Toolbox.....	98
24	油箱总成 Fuel Tank	100

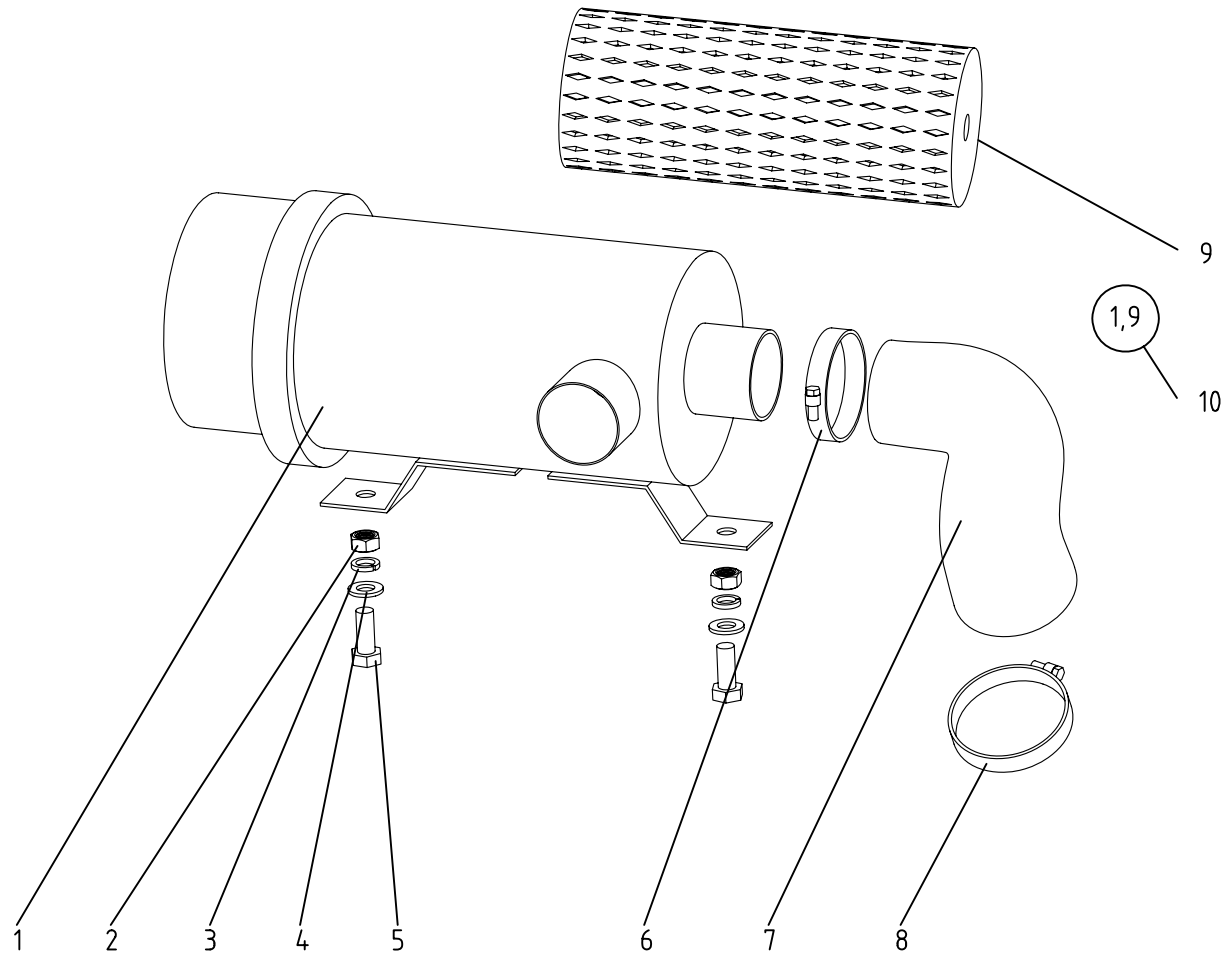
25	地板挡泥板总成 Foot Mud Shields Rest	102
26.1	提升器操纵机构总成 Hydraulic Power Lift Operation Mechanism System	106
26.2	分配器总成 Hydraulic Oil Distributor	108
26.3	提升器总成 Hydraulic Power Lift.....	111
27	悬挂装置总成 Suspension Mechanism	115
28.1	液压提升管路系统总成（配多路阀） Hydraulic Lifting Pipeline Assembly	118
28.2	多路阀操纵组合件 Multiple Directional Control Valve Operation Mechanism	121
29	前配重总成 Front Balance Weight	123
30	遮阳篷总成 Sunshade(Optional)	125
ENGINE		
31	气缸盖罩总成 Cylinder Head Cover Assembly(Fig.1)	127
32	气缸盖总成 Cylinder Head Assembly(Fig.2)	129
33	机体、齿轮室总成 Cylinder Block and Gear Case Assembly(Fig.3).....	132
34	正时齿轮系总成 Timing Gear Train(Fig.4).....	136
35	活塞、连杆总成 Piston and Connecting Rod Assembly(Fig.5)	138
36	曲轴、飞轮总成 Crankshaft and Flywheel Assembly(Fig.6)	140
37	配气机构 Valve Timing Mechanism(Fig.7)	142
38	水泵、风扇总成 Water Pump and Fan Assembly(Fig.8).....	145
39	油底壳总成 Oil Sump Assembly (Fig.9).....	148
40	机油泵总成 Lubricating Oil Pump Assembly (Fig.10)	150

41	燃油系统总成 Fuel System (Fig.11)	152
42	机油集滤器总成 Oil Suction Strainer Assembly (Fig.12)	154
43	张紧轮部件 Tension pulley assembly (Fig.13)	156
44	机滤、发电机、起动电机 Oil Filter/Air Filter/Generator/Starting Motor/Silencer(Fig.14)	158

1 空滤器总成

Air Filter

404G2-6E.10.001



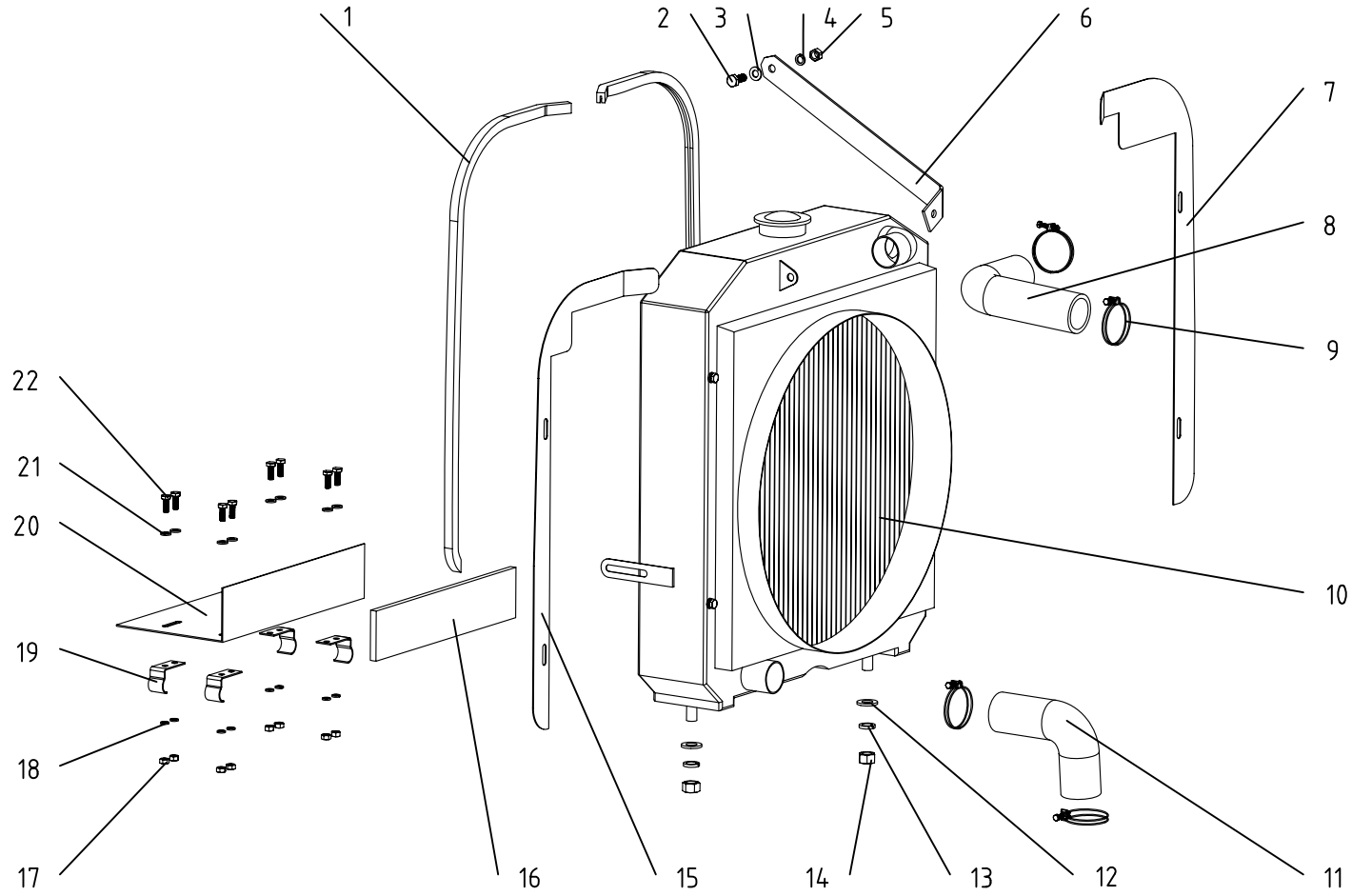
1 空滤器总成 Air Filter

Ser.No.	Part No.	名称及规格	Name & Specifications	Quantity	Remarks
1		空气滤清器壳体	Air filter rind	1	
2	GB/T6170-2000-M10	螺母M10	Hex .nut M10	2	
3	GB/T93-1987-10	垫圈10	Spring Lock washer10	2	
4	GB/T97.1-2002-10	垫圈10	Plain washer 10	2	
5	GB/T5783-2000-M10×25	螺栓M10×25	Hex.head bolt M10×25	2	
7	JB/T8870-1999-(44-64)	喉箍（44-64）	Clip（44-64）	1	
6	404G2-6E.10.102	进气管	Air pipe	1	
8	JB/T8870-1999-(64-76)	喉箍（64-76）	Clip（64-76）	1	
9	KW1025	滤芯	filter screen	1	
10	404G2-6E.10.101	空气滤清器	Air filter	1	

2 散热器总成

Radiator

404G2-6E.13.001



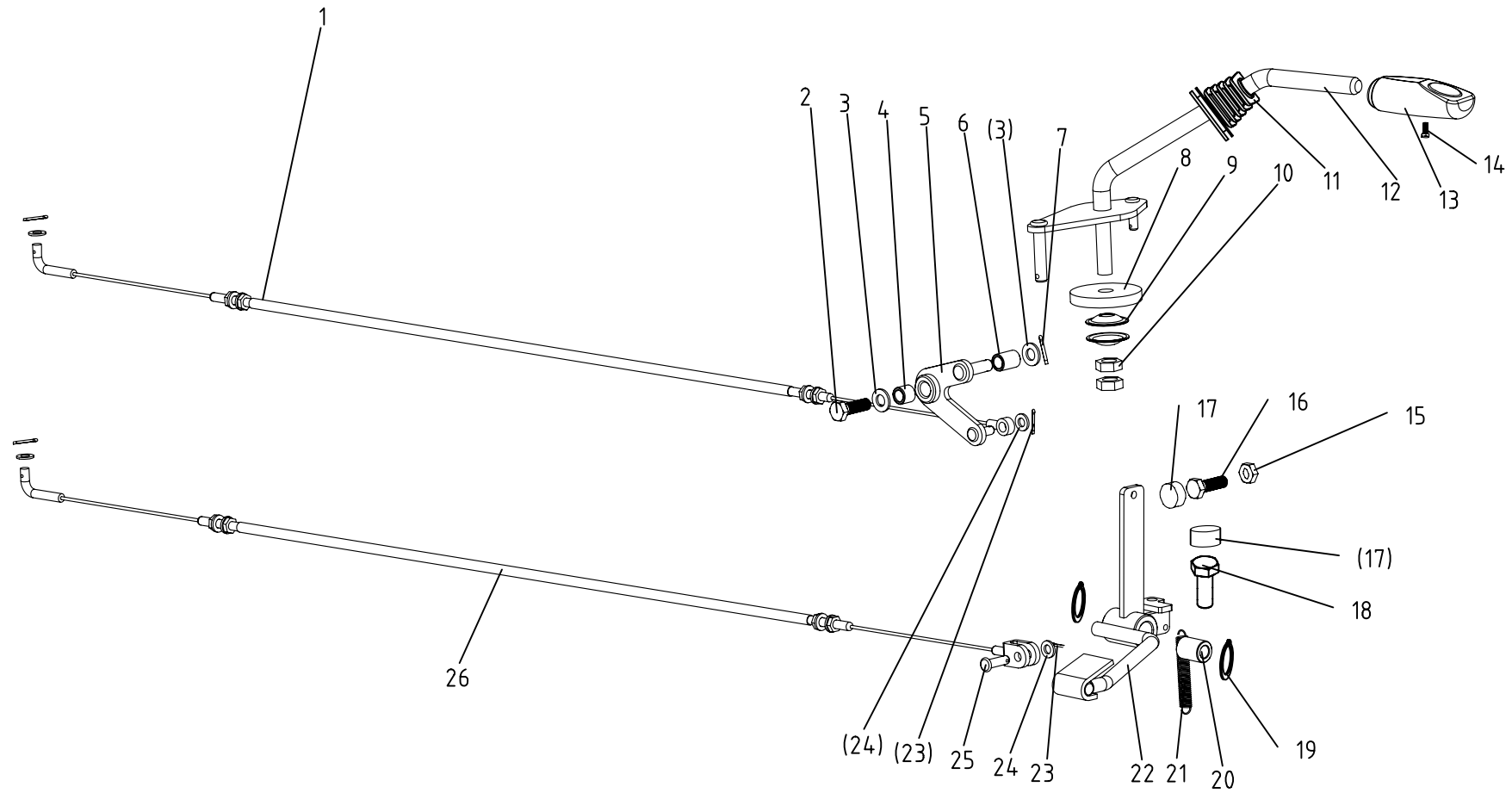
2 散热器总成 Radiator

Ser.No.	Part No.	名称及规格	Name & Specifications	Quantity	Remarks
1	550-1.51.101	密封条	Airproof piece	按需	Optional
2	GB/T5783-2000-M8×20	螺栓 M8×20	Hex.head bolt M8×20	1	
3	GB/T97.1-2002-8	垫圈 8	Plain washer 8	1	
4	GB/T93-1987-8	垫圈 8	Spring lock washer 8	1	
5	GB/T6170-2000-M8	螺母 M8	Hex. nut M8	1	
6	404G2.13.101	水箱撑杆	Supporting rod, radiator	1	
7	404G2-6E.13.104	水箱右隔风板	Right shield board, radiator	1	Optional
8	304G2-6E.13.101	上输水管	Upper water hose	1	
9	JB/T8870-1999-2A(35-51)	喉箍 2A(35-51)	Hose clamp 2A (35-51)	4	
10	404G2-6E.13.011	散热器部件	Radiator	1	
11	404G2-6E.13.102	下输水管	Lower water pipe hose	1	
12	GB/T97.1-2002-12	垫圈 12	Plain washer 12	2	
13	GB/T93-1987-12	垫圈 12	Spring lock washer 12	2	Optional
14	GB/T6170-2000-M12	螺母 M12	Hex. nut M12	2	
15	404G2-6E.13.103	水箱左隔风板	Left shield board, radiator	1	
16	304G2-6E.13.103	橡胶板	rubber pad	1	
17	GB/T6170-2000-M6	螺母 M6	Hex. nut M6	8	
18	GB/T93-1987-6	垫圈 6	Spring lock washer 6	8	
19	304G2-6E.13.105	弹簧片	Spring piece	4	
20	304G2-6E.13.108	水箱下挡风板	Down shield board, radiator	1	
21	GB/T96.1-2002-M6	垫圈 M6	Plain washer 6	8	
22	GB/T5783-2000-M6×16	螺栓 M6×16	Hex.head bolt M6×16	8	

3 油门操纵机构总成

Throttle Control Mechanism

404G2-E. 20. 001



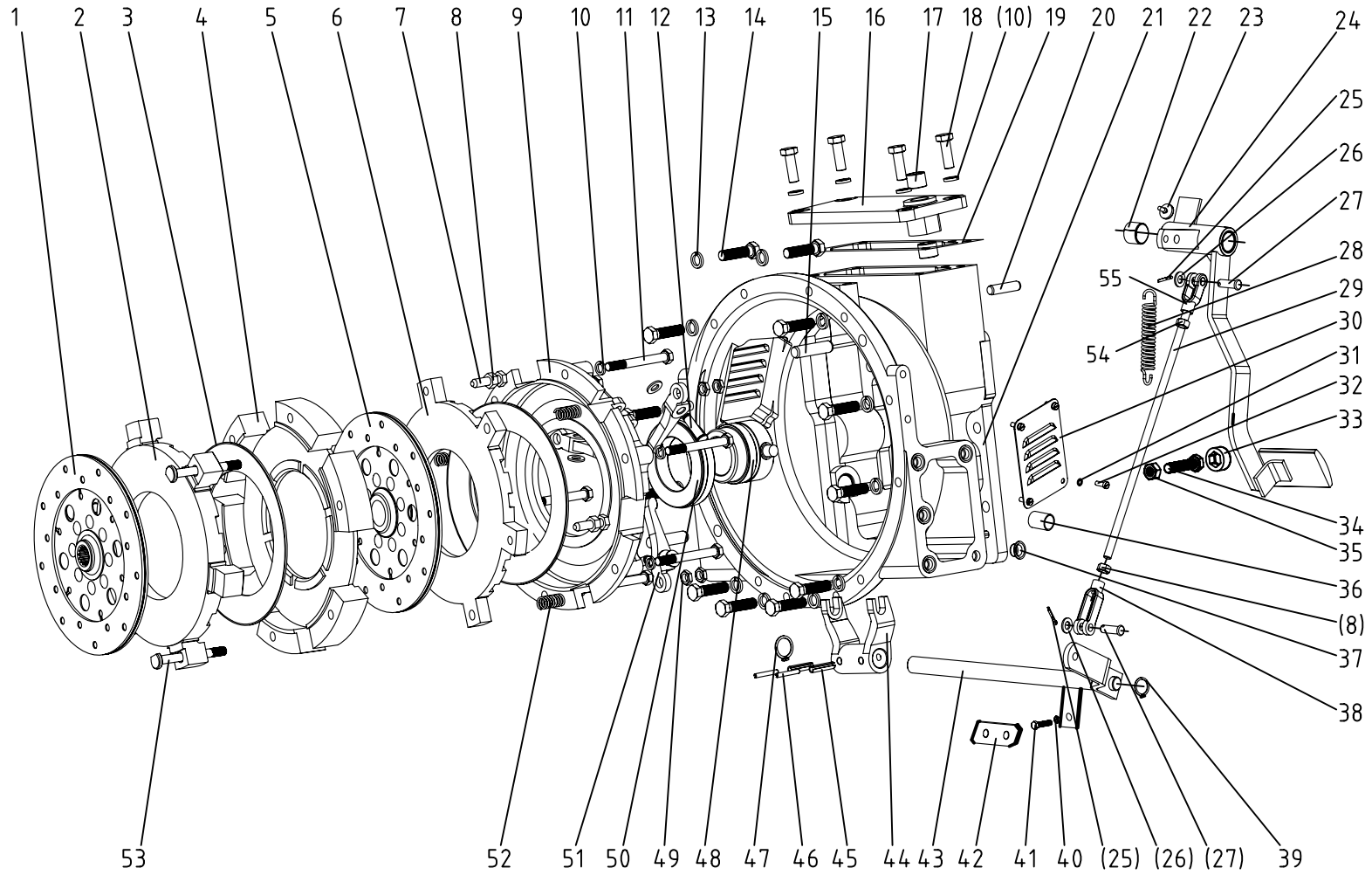
3 油门操纵总成 Throttle Control Mechanism

Ser.No.	Part No.	名称及规格	Name & Specifications	Quantity	Remarks
1	404G2-6F.20.014	手油门拉线组合件	Hand throttle wire	1	
2	GB/T5783-2000-M8×25	螺栓 M8×25	Hex. head bolt M8×25	1	
3	GB/T97.1-2002-8	垫圈 8	Plain washer 8	2	
4	504G3.20.104	垫套	Bush	1	
5	504G3.20.021	连接板焊合件	Connect board	1	
6	504G3.20.115	转套	Thimble	1	
7	GB/T91-2000-2×14	销 2×14	Split pin 2×14	1	
8	504G3.20.102	摩擦片	Friction lining	1	
9	504G3.20.105	碟形垫片	Acetabuliform mat	2	
10	GB/T6170-2000-M12	螺母 M12	Hex. nut M12	2	
11	504G3.20.101	橡胶套	Rubber boot	1	
12	504G3.20.012	手油门操纵杆焊合件	Operating lever,Hand throttle	1	
13	504G3.20.011	手柄组合件	Handle	1	
14	GB/T 845-1985-ST4.2×13	自攻螺钉 ST4. 2×13	Bolt ST4.2×13	1	
15	GB/T6170-2000-M10	螺母 M10	Hex. nut M10	2	
16	GB/T5783-2000-M10×45	螺栓 M10×45	Hex. head bolt M10×45	1	
17	504G3.21.103	橡胶垫	Rubber blanket	2	
18	GB/T5782-2000-M10×65	螺栓 M10×65	Hex. head bolt M10×65	1	
19	GB/T894.1-1986-15	挡圈 15	Circlip for shaft 15	2	
20	254G3.40.134	衬套	Bushing	1	
21	504G3-3.20.101-1	回位弹簧	Return spring	1	
22	504G3-E.20.011-1	脚油门踏板焊合件	Foot throttle lever	1	
23	GB/T91-2000-1.6×12	销 1.6×12	Split pin 1.6×12	5	
24	GB/T97.1-2002-6	垫圈 6	Plain washer 6	4	
25	GB/T882-1986-B6×20	销轴 B6×20	Clevis pin with head B6×20	1	
26	404G2-E.20.015	脚油门拉线组合件	Foot throttle wire	1	

4 离合器总成

Clutch

404G2-6F. 21. 001



4 离合器总成 Clutch

Ser.No.	Part No.	名称及规格	Name & Specifications	Quantity	Remarks
1	400-6.21.013	主离合器从动盘总成	Driven plate ,main clutch	1	无石棉
2	300.21C.103-1	主离合器压盘	Pressure plate ,main clutch	1	
3	304G2-6.21.101	碟形弹簧	Disc spring	2	
4	300.21C.104	离合器固定压盘	Fixed pressure plate, clutch	1	
5	400-6.21.012	PT0离合器从动盘总成	Driven plate PTO clutch	1	无石棉
6	300.21C.106-1	PT0离合器压盘	Pressure plate PTO clutch	1	
7	300.21C.113-1	调整螺栓	Adjusting bolt	3	
8	GB/T6171-2000-M10×1	螺母 M10×1	Fine thread hex. nut M10×1	3	
9	300.21C.107-1	离合器盖	Clutch cover	1	
10	GB/T93-1987-10	垫圈 10	Spring lock washer 10	10	
11	GB/T5782-2000-M10×90	螺栓 M10×90	Hex. head bolt M10×90	6	
12	300.21.158	销轴	Clevis pin with head	3	
13	GB/T93-1987-12	垫圈 12	Spring lock washer 12	12	
14	GB/T5783-2000-M12×45	螺栓 M12×45	Hex. head bolt M12×45	12	
15	GB/T119.1-2000-D14×26	销 D14×26	Parallel pin D14×26	2	300.37.154
16	404G2-6F.21.105	盖板	Cover	1	
17	254G3.21.111	分离轴衬套	Release shaft bush	2	
18	GB/T5783-2000-M10×30	螺栓 M10×30	Hex. head bolt M10×30	4	
19	404G2-6F.21.104	纸垫	Paper gasket	1	
20	GB/T119.1-2000-B10×22	销 B10×22	Parallel pin B10×22	2	
21	404G2-6F.21.101	离合器壳体	Clutch case	1	
22	504G3.43.135	衬套(2520)	Bush(2520)	2	
23	504G3.43.101	缓冲垫	Rubber plug	1	
24	404G2-6F.21.021	离合器踏杆焊合件	Clutch pedal	1	
25	GB/T91-2000-3.2×25	销 3.2×25	Split pin 3.2×25	2	

4 离合器总成 Clutch

续表

Ser.No.	Part No.	名称及规格	Name & Specifications	Quantity	Remarks
26	GB/T97.1-2002-10	垫圈 10	Plain washer 10	5	
27	GB/T882-2000-B10×22	销 B10×22	Parallel pin B10×22	2	
28	504G3.43.103-1	回位弹簧	Return spring	1	
29	404G2-6F.21.107	离合器拉杆	Release pull-rod	1	
30	300.37.131-1	盖板	Inspection opening cover	1	
31	GB/T93-1987-6	垫圈 6	Spring lock washer 6	4	
32	GB/T5783-2000-M6×12	螺栓 M6×12	Hex. head bolt M6×12	4	
33	504G3.21.103	橡胶垫	Rubber plug	1	
34	GB/T5783-2000-M10×45	螺栓 M10×45	Hex. head bolt M10×45	1	
35	GB/T6170-2000-M10	螺母 M10	Hex. nut M10	1	
36	404G2-6F.21.153	分离轴衬套	Release shaft bush	2	
37	300.37.180	螺孔封套	Protecting plug,thread hole	1	
38	300.21A.148	拉杆叉头	Rod clevis	1	
39	GB/T894.1-1986-22	挡圈22	Circlip for shaft 22	1	
40	GB/T6170-2000-M6	螺母 M6	Hex. nut M6	1	
41	300.21C.133	调整螺栓	Adjusting bolt	1	
42	404G2-6F.21.108	安全开关支架	Safety switch support	1	
43	404G2-6F.21.012	分离轴焊合件	Release shaft, clutch	1	
44	404G2-6F.21.102	离合器拨叉	Release fork	1	
45	GB/T879-2000-8×35	销 8×35	Slotted spring pin 8×35	2	
46	GB/T879-2000-5×35	销 5×35	Slotted spring pin 5×35	2	
47	GB/T894.1-1986-24	挡圈 24	Circlip for shaft 24	1	
48	404G2-6F.21.103	分离轴承座	Release bearing seat	1	
49	GB/T6173-2000-M10×1	螺母 M10×1	Fine thread hex. nut M10×1	6	

4 离合器总成 Clutch

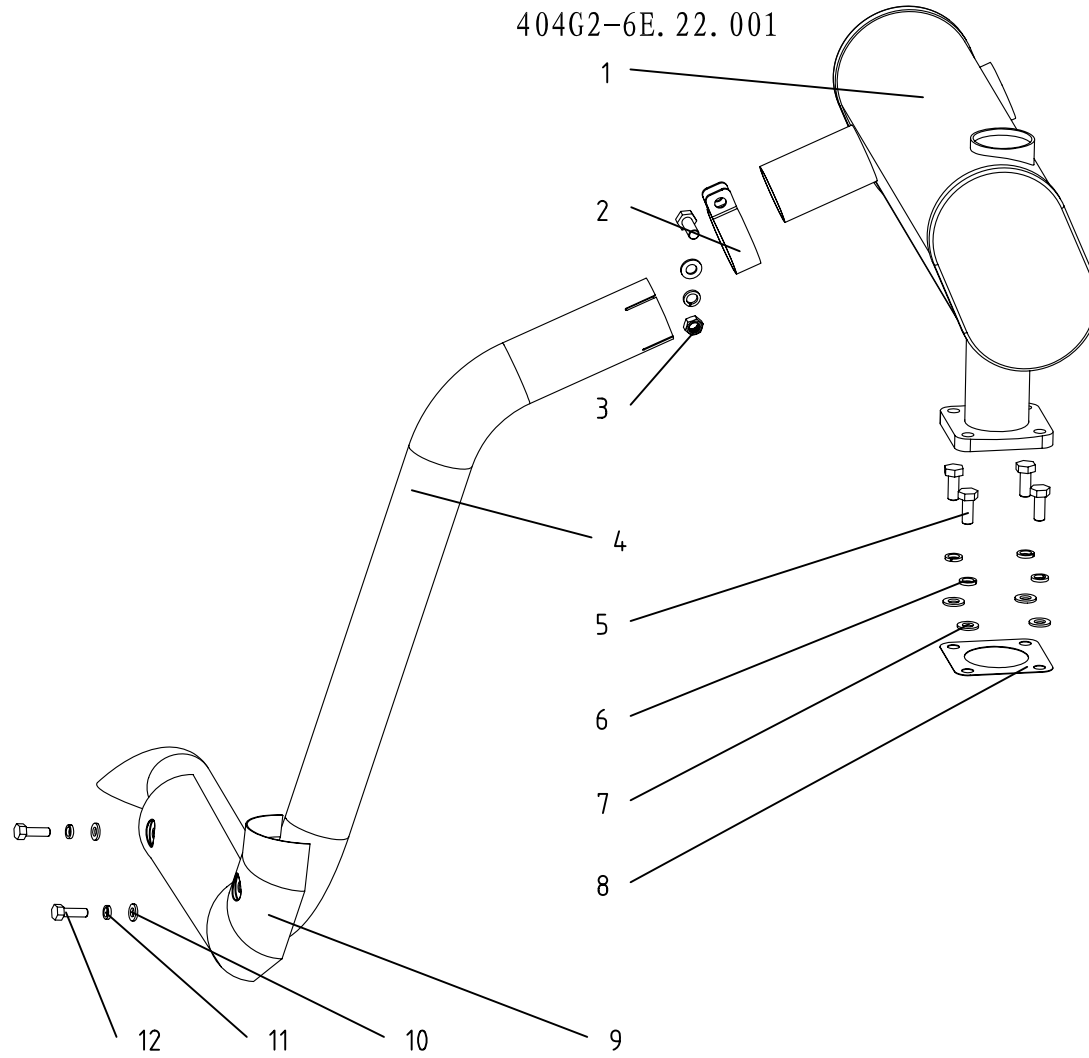
续表

Ser.No.	Part No.	名称及规格	Name & Specifications	Quantity	Remarks
50	65TNK20	分离轴承	Release bearing	1	
51	404G2-6F.21.116	主分离杠杆	Main release lever	3	
52	300.21C.115	回位弹簧	Return spring	3	
53	300.21C.114-1	调整螺栓	Adjusting bolt	3	
54	GB/T6171-2000-M10×1-L	螺母 M10×1-左	Fine thread hex. nut M10×1-L	1	
55	254G2.21.106	连接叉	Rod clevis	1	

5 排气管总成

Exhaust Pipe

404G2-6E.22.001



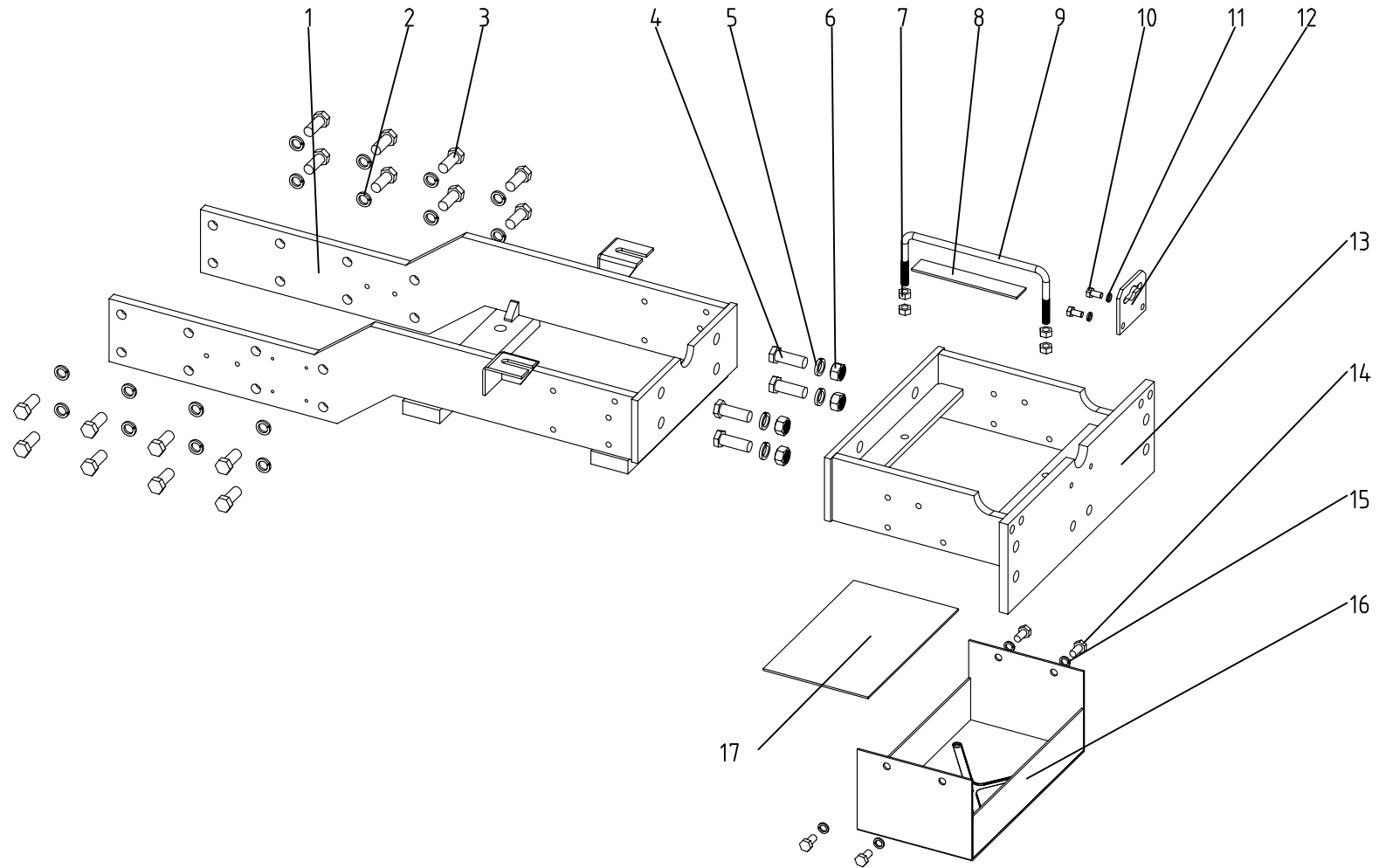
5 排气管总成 Exhaust pipe

Ser.No.	Part No.	名称及规格	Name & Specifications	Quantity	Remarks
1	304G2-6E.22.011	消声器合件	Dissipative muffler	1	
2	304G2-6E.22.101	抱箍	Clip	1	
3	GB/T6170-2000-M8	螺母 M8	Hex .nut M8	1	
4	404G2-6E.22.012	排气弯管焊合件	Exhaust pipe	1	
5	GB/T5783-2000-M8×25	螺栓 M8×25	Hex.head bolt M8×25	5	
6	GB/T93-1987-8	垫圈 8	Spring Lock washer 8	5	
7	GB/T97.1-2002-8	垫圈 8	Plain washer 8	5	
8	304G2-6E.22.102	排气管纸垫	Paper gasket	1	
9	404G2-6E.22.103-1	排气弯管护罩	Exhaust pipe cover	1	
10	GB/T97.1-2002-6	垫圈 6	Plain washer 6	2	
11	GB/T93-1987-6	垫圈 6	Spring Lock washer 6	2	
12	GB/T5783-2000-M6×12	螺栓 M6×12	Hex.head bolt M6×12	2	

6 机架总成

Frame

404G2-6E. 30. 001

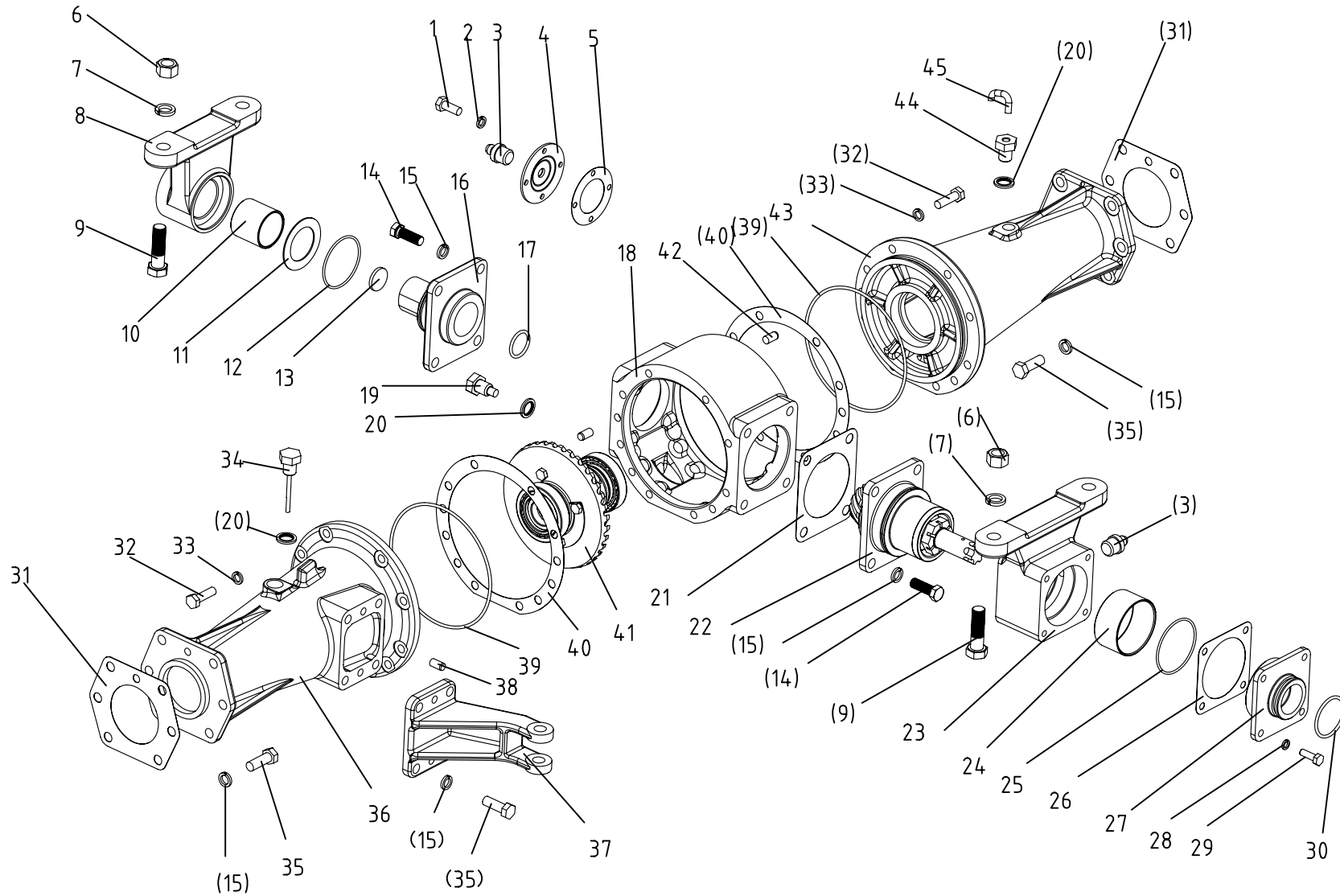


6 机架总成 Frame

Ser.No.	Part No.	名称及规格	Name & Specifications	Quantity	Remarks
1	404G2-6E.30.011	机架焊合件	Frame	1	
2	GB/T93-1987-14	垫圈 14	Spring Lock washer14	16	
3	GB/T5783-2000-M14×35	螺栓 M14×35	Hex.head bolt M14×35	16	8.8级
4	GB/T5783-2000-M16×45	螺栓 M16×45	Hex.head bolt M16×45	4	
5	GB/T93-1987-16	垫圈 16	Spring Lock washer16	4	
6	GB/T6170-2000-M16	螺母 M16	Hex .nut M16	4	
7	GB/T6170-2000-M16	螺母 M10	Hex .nut M10	4	
8	300.47.143	电瓶胶垫	rubber gasket	1	
9	304G2-6.30.110	U型螺栓	U model of bolt	1	
10	GB/T5783-2000-M8×16	螺栓 M8×16	Hex.head bolt M8×16	2	Optional
11	GB/T93-1987-8	垫圈 8	Spring Lock washer8	2	Optional
12	250.30.116	手摇起动支承板	Starting crank gate	1	Optional
13	304G2-6.30.013	电瓶架焊合件	Battery bracket	1	
14	GB/T5783-2000-M10×20	螺栓 M10×20	Hex.head bolt M10×20	4	
15	GB/T93-1987-10	垫圈 10	Spring Lock washer10	4	
16	304G2-6.30.012-1	配重架焊合件	Assistant weight support	1	
17	250.30.103	蓄电池防护板	Rubber gasket for battery	1	

7.1 前驱动桥总成(中) Front Drive Axles (Middle)

304.31.001-5



7.1 前驱动桥总成(中) Front Wheel Drive Axle (Middle)

Ser.No.	Part No.	名称及规格	Name & Specifications	Quantity	Remarks
1	GB/T5783-2000-M6×12	螺栓 M6×12	Hex. head bolt M6×12	4	
2	GB/T93-1987-6	垫圈 6	Spring lock washer 6	4	
3	JB/T7940.1-1995-M10×1	油杯 M10×1	Grease cup M10×1	2	
4	304.31.019	前支座端盖组合件	End cover of front pedestal	1	
5	304.31.122	端盖垫片	End cover gasket	1	
6	GB/T6170-2000-M16	螺母 M16	Hex. nut M16	4	
7	GB/T93-1987-16	垫圈 16	Spring lock washer 16	4	
8	304.31.220-2	前支座	Front pedestal	1	
9	GB/T27-1988-M16×65	螺栓 M16×65	Hex. head bolt M16×65	4	
10	304.31.219-1	前支座衬套	Front pedestal bush	1	
11	304.31.123-1	前摆轴垫片	Shims for front swing axle	one set	One pcs for each size
12	GB/T3452.1-1992-65×2.65	O形圈 65×2.65	O-ring seal 65×2.65	1	
13	ZB T32003-88-24	碗形塞片 24	Casing cap	1	
14	GB/T5786-2000-M12×1.5×35	螺栓 M12×1.5×35	Hex. head bolt M12×1.5×35	8	
15	GB/T93-1987-12	垫圈 12	Spring lock washer 12	24	
16	304.31.124-2	前摆轴	Front swing axle	1	
17	GB/T3452.1-1992-69×3.55	O形圈 69×3.55	O-ring seal 69×3.55	1	
18	304.31.116-2	主传动壳体	Main drive case	1	
19	200.38.024	放油螺塞总成	Oil drain plug	1	
20	JB-FT-CU-16	组合铜垫圈16	Copper washer 16	3	
21	304.31.125-1	轴承座垫片	Shims for bearing seat	one set	Two pcs for each size
22	304.31.022-1	主动锥齿轮总成	Bevel drive pinion assembly	1	
23	304.31.222-3	后支座	Rear pedestal	1	
24	304.31.221-1	后支座衬套	Rear pedestal bush	1	
25	GB/T3452.1-1992-69×2.65	O形圈 69×2.65	O-ring seal 69×2.65	1	

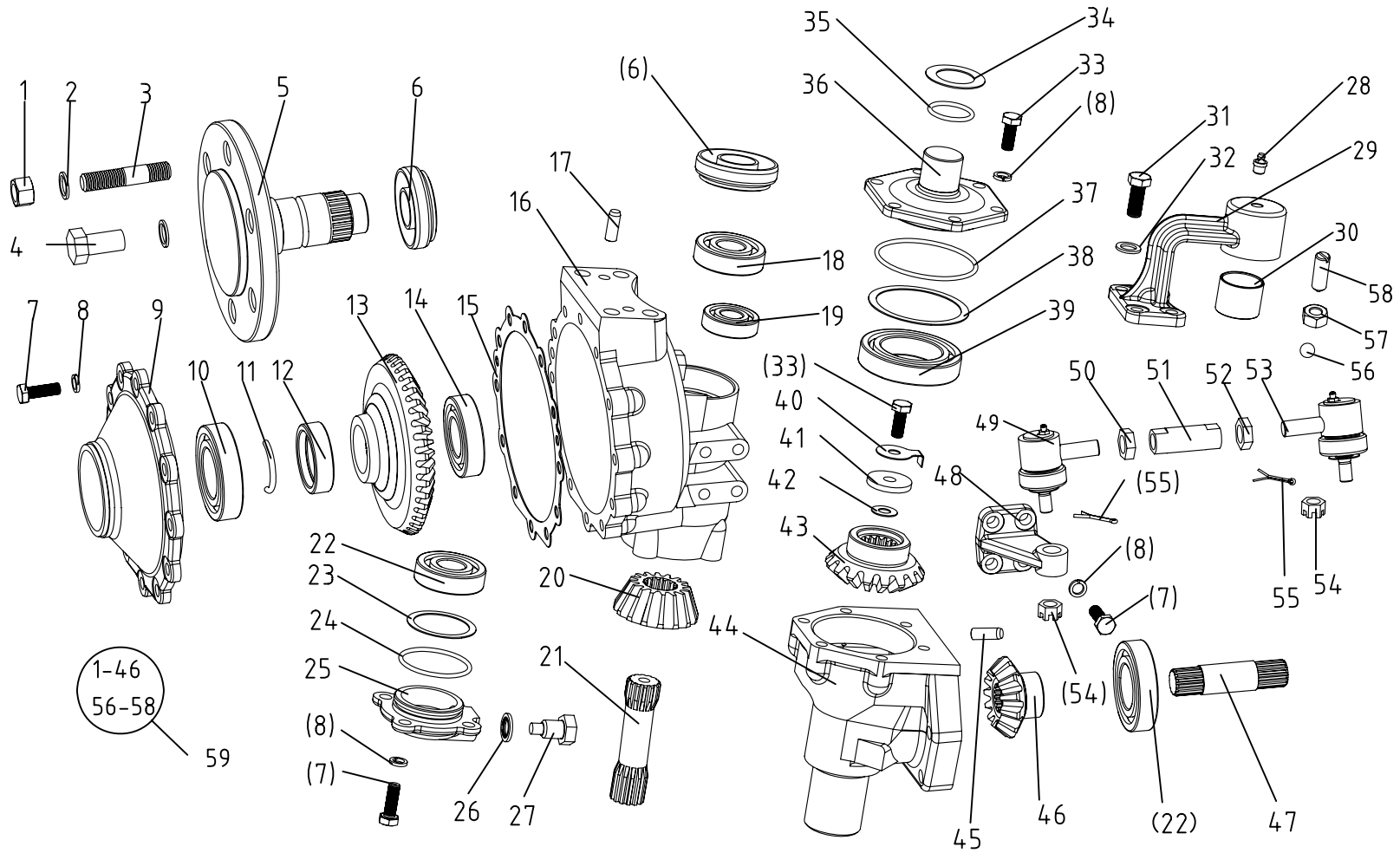
7.1 前驱动桥总成(中) Front Wheel Drive Axle (Middle)

续表

Ser.No.	Part No.	名称及规格	Name & Specifications	Quantity	Remarks
26	304.31.126-1	后支座盖垫片	Gasket for end cover	1	
27	304.31.127-2	后支座盖	End cover of rear pedestal	1	
28	GB/T93-1987-8	垫圈 8	Spring lock washer 8	4	
29	GB/T5783-2000-M8×25	螺栓 M8×25	Hex. Head bolt M8×25	4	
30	GB/T3452.1-1992-48.7×3.55	O形圈 48.7×3.55	O-ring seal 48.7×3.55	1	
31	304.31.128-1	立轴套管垫片	Gasket for Upright shaft housing	2	
32	GB/T5783-2000-M10×35	螺栓 M10×35	Hex. head bolt M10×35	20	
33	GB/T93-1987-10	垫圈 10	Spring lock washer 10	20	
34	304.31.013-1	量油尺合件	Oil dipstick	1	
35	GB/T5783-2000-M12×35	螺栓 M12×35	Hex. head bolt M12×35	16	
36	304.31.233-1	左半轴套管	Left half shaft housing	1	
37	304.31.234	转向油缸座	Power steering cylinder bracket	1	
38	GB/T119.1-2000-A10×16	销 A10×16	Straight pin A10×16	2	
39	GB/T3452.1-1992-160×3.55	O形圈 160×3.55	O-ring seal 160×3.55	2	
40	304.31.117-1	主传动壳体垫片	Shims for main drive case	two set	Two pcs for each size
41	304.31.014A	差速器总成	Differential assembly	1	
42	GB/T119.1-2000-A10×20	销 A10×20	Straight pin A10×20	2	
43	304.31.115-1	右半轴套管	Right half shaft housing	1	
44	304.31.118-1	通气螺塞	Vent plug	1	
45	304.31.119-1	通气管	Vent pipe	1	
	304.31.119A	通气管	Vent pipe	1	for paddy field

7.2 前驱动桥总成(左边减速) Front Drive Axle (Left Side-Slowdown)

304.31.001-5



7.2 前驱动桥总成（左边减速）Front Wheel Drive Axle（Left Side-Slowdown）

Ser.No.	Part No.	名称及规格	Name & Specifications	Quantity	Remarks
1	GB/T6176-2000-M18×1.5	螺母 M18×1.5	Hex. nut M18×1.5	2	
2	GB/T93-1987-18	垫圈 18	Spring lock washer 18	6	
3	304.31.179	螺柱	Double screw bolt	2	M18×1.5×52-20
4	GB/T5786-2000-M18×1.5×35	螺栓 M18×1.5×35	hex. head bolt M18×1.5×35	4	level 8.8
5	304.31.101-3	驱动轴	Drive shaft	1	
6	404-9.31.111	防泥水油封 MC50×72×15	Oil-seal MC50×72×15	2	
7	GB/T5783-2000-M10×30	螺栓 M10×30	Hex. head bolt M10×30	16	
8	GB/T93-1987-10	垫圈 10	Spring lock washer 10	26	
9	304.31.104-3	驱动轴盖	Drive shaft cover	1	
10	GB/T276-1994-6209	轴承 6209	Ball bearing 6209	1	
11	304.31.102-2	驱动轴固定圈	Fixing ring of drive shaft	2	
12	304.31.103-2	驱动轴垫圈	Drive shaft sleeve	1	
13	304.31.132-3	末减速被动齿轮	Driven bevel gear of final drive	1	
14	GB/T276-1994	轴承 6207	Ball bearing 6207	1	
15	304.31.105-1	驱动轴盖垫片	Gasket for drive shaft cover	1	
16	304.31.228-5	左边减速壳体	Left final drive housing	1	
17	GB/T119.2-2000-A10×24	销 A10×24	Straight pin A10×24	2	
18	GB/T276-1994-61910	轴承 61910	Ball bearing 61910	1	
19	GB/T297-1994-32909	轴承 32909	Tapered roller bearing 32909	1	
20	304.31.131-3	末减速主动齿轮	Driving bevel gear of final drive	1	
21	304.31.107-4	立轴	Upright shaft	1	
22	GB/T276-1994	轴承 6208	Ball bearing 6208	2	
23	850-2.39.112/113/114	调整垫片	Adjusting shims	Needed	
24	GB/T3452.1-1992-75×2.65	O形圈 75×2.65	O-ring seal 75×2.65	1	
25	304.31.137-3	下轴承盖	Lower bearing cover	1	

7.2 前驱动桥总成（左边减速）Front Wheel Drive Axle（Left Side-Slowdown）

续表

Ser.No.	Part No.	名称及规格	Name & Specifications	Quantity	Remarks
26	JB-FT-CU-16	组合铜垫圈 16	Combined seal washer 16	1	
27	200.38.024	放油螺塞总成	Oil drain plug	1	
28	JB/T7940.1-1995-M8×1	油杯 M8×1	Grease cup M8×1	1	
29	304.31.201-4	左转向臂	Left steering arm	1	
30	304.31.202-1	联接转向臂衬套	Steering arm bushing	1	
31	GB/T5783-2000-M12×40	螺栓 M12×40	Hex. head bolt M12×40	4	
32	GB/T93-1987-12	垫圈 12	Spring lock washer 12	4	
33	GB/T5783-2000-M10×25	螺栓 M10×25	Hex. head bolt M10×25	11	
34	304.31.249/250/251/252	转向臂调整垫片	Steering arm adjusting shim	Needed	
35	GB/T3452.1-1992-34.5×2.65	O形圈 34.5×2.65	O-ring seal 34.5×2.65	1	
36	304.31.111-4	上轴承盖	Upper bearing cover	1	
37	GB/T3452.1-1992-85×2.65	O形圈 85×2.65	O-ring seal 85×2.65	1	
38	304.31.133	中间传动调整垫片	Adjusting shims for the first drive	One set	Two pcs for each size
39	GB/T276-1994-6011	轴承 6011	Ball bearing 6011	1	
40	304.31.138	锁紧垫片	Lock washer	1	
41	304.31.110-1	立轴挡圈	Blocking ring of upright shaft	1	
42	304.31.112-2	调整垫片	Adjusting shims	One set	Two pcs for each size
43	304.31.113-1	中间传动被动齿轮	Driven bevel gear of the first drive	1	
44	304.31.108-4	立轴套管	Upright shaft housing	1	
45	GB/T119.2-2000-A10×20	销 A10×20	Straight pin A10×20	1	
46	304.31.129-1	中间传动主动齿轮	Driving bevel gear of the first drive	1	
47	304.31.114-2	半轴	Half shaft	1	
48	404B.31.110	左梯形臂	Left steering trapezoid arm	1	
49	450.31.024-1	拉杆接头总成(左)	Linkage ball joint (Left)	1	

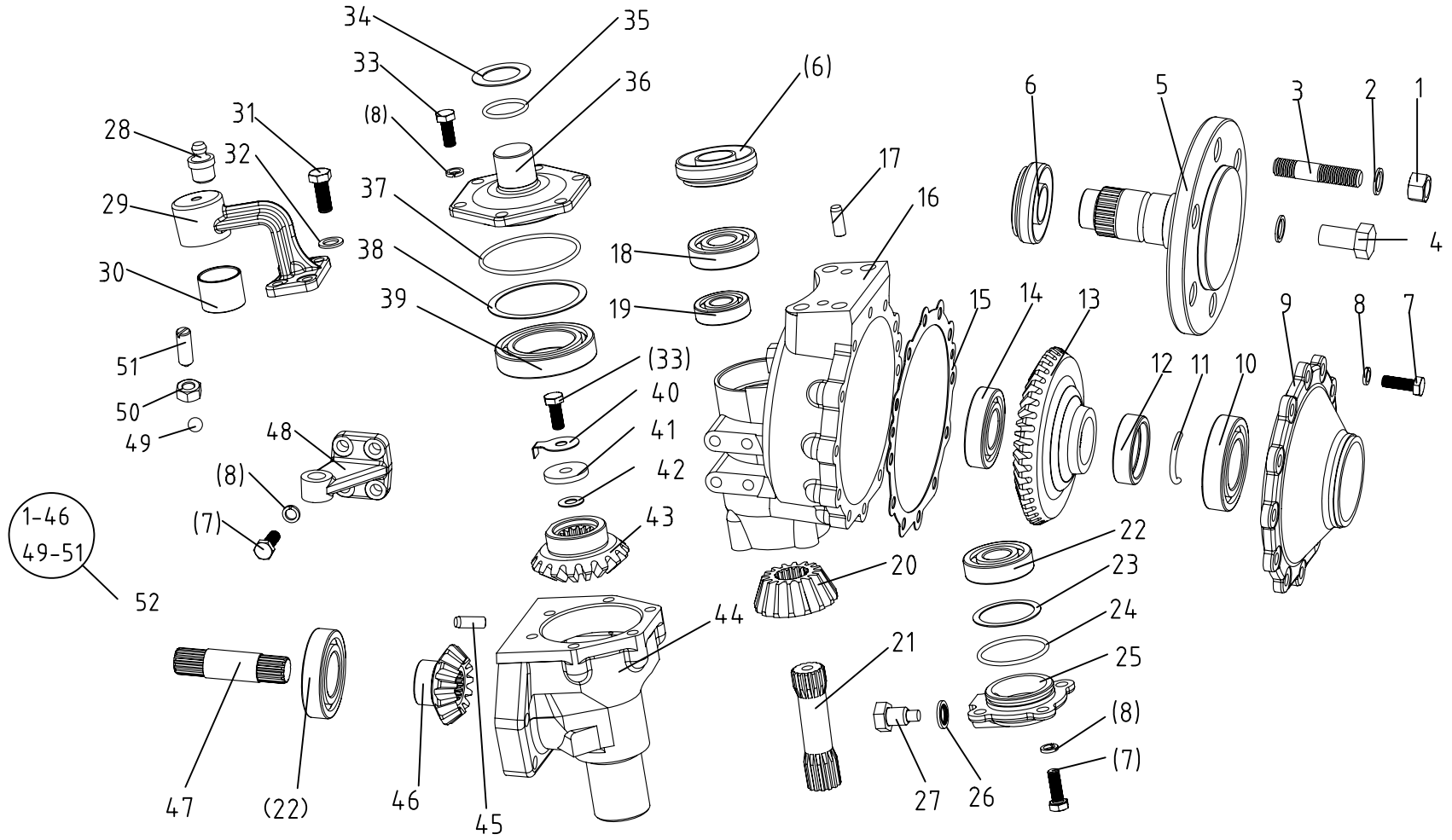
7.2 前驱动桥总成（左边减速）Front Wheel Drive Axle（Left Side-Slowdown）

续表

Ser.No.	Part No.	名称及规格	Name & Specifications	Quantity	Remarks
50	GB/T6173-2000-M18×1.5-Left	螺母 M18×1.5-左	Hex.thin nut M18×1.5-Left	1	
51	404B.31.105	横拉杆	Steering tie rod	1	
52	GB/T6173-2000-M18×1.5	螺母 M18×1.5	Hex.thin nut M18×1.5	1	
53	450.31.026-1	拉杆接头总成(右)	Linkage ball joint (Right)	1	
54	GB/T6181-1986-M14	螺母 M14	Hex. thin slotted nut M14	2	
55	GB/T91-2000-3.2×22	销 3.2×22	Split pin 3.2×22	2	
56	GB/T308-2002-8.7312G200b	钢球 8.7312G200b	Ball 8.7312G200b	1	11/32 "
57	GB/T6171-2000-M10×1	螺母 M10×1	Hex. nut M10×1	1	
58	504.31.144	紧定螺钉	Set screw	1	M10×1
62		左边减速总成	Left final drive housing assembly	1	

7.3 前驱动桥总成(右边减速) Front Drive Axle(Right Side-Slowdown)

304.31.001-5



7.3 前驱动桥总成（左边减速）Front Wheel Drive Axle（Left Side-Slowdown）

Ser.No.	Part No.	名称及规格	Name & Specifications	Quantity	Remarks
1	GB/T6176-2000-M18×1.5	螺母 M18×1.5	Hex. nut M18×1.5	2	
2	GB/T93-1987-18	垫圈 18	Spring lock washer 18	6	
3	304.31.179	螺柱	Double screw bolt	2	M18×1.5×52-20
4	GB/T5786-2000-M18×1.5×35	螺栓 M18×1.5×35	hex. head bolt M18×1.5×35	4	level 8.8
5	304.31.101-3	驱动轴	Drive shaft	1	
6	404-9.31.111	防泥水油封 MC50×72×15	Oil-seal MC50×72×15	2	
7	GB/T5783-2000-M10×30	螺栓 M10×30	Hex. head bolt M10×30	16	
8	GB/T93-1987-10	垫圈 10	Spring lock washer 10	26	
9	304.31.104-3	驱动轴盖	Drive shaft cover	1	
10	GB/T276-1994-6209	轴承 6209	Ball bearing 6209	1	
11	304.31.102-2	驱动轴固定圈	Fixing ring of drive shaft	2	
12	304.31.103-2	驱动轴垫圈	Drive shaft sleeve	1	
13	304.31.132-3	末减速被动齿轮	Driven bevel gear of final drive	1	
14	GB/T276-1994-6207	轴承 6207	Ball bearing 6207	1	
15	304.31.105-1	驱动轴盖垫片	Gasket for drive shaft cover	1	
16	304.31.216-5	右边减速壳体	Right final drive housing	1	
17	GB/T119.2-2000-A10×24	销 A10×24	Straight pin A10×24	2	
18	GB/T276-1994-61910	轴承 61910	Ball bearing 61910	1	
19	GB/T297-1994-32909	轴承 32909	Tapered roller bearing 32909	1	
20	304.31.131-3	末减速主动齿轮	Driving bevel gear of final drive	1	
21	304.31.107-4	立轴	Upright shaft	1	
22	GB/T276-1994-6208	轴承 6208	Ball bearing 6208	2	
23	850-2.39.112/113/114	调整垫片	Adjusting shims	Needed	
24	GB/T3452.1-1992-75×2.65	O形圈 75×2.65	O-ring seal 75×2.65	1	
25	304.31.137-3	下轴承盖	Lower bearing cover	1	

7.3 前驱动桥总成（左边减速）Front Wheel Drive Axle（Left Side-Slowdown）

续表

Ser.No.	Part No.	名称及规格	Name & Specifications	Quantity	Remarks
26	JB-FT-CU-16	组合铜垫圈 16	Combined seal washer 16	1	
27	200.38.024	放油螺塞总成	Oil drain plug	1	
28	JB/T7940.1-1995-M8×1	油杯 M8×1	Grease cup M8×1	1	
29	304.31.215-4	右联接臂	Right linking arm	1	
30	304.31.202-1	联接转向臂衬套	Steering arm bushing	1	
31	GB/T5783-2000-M12×40	螺栓 M12×40	Hex. head bolt M12×40	4	
32	GB/T93-1987-12	垫圈 12	Spring lock washer 12	4	
33	GB/T5783-2000-M10×25	螺栓 M10×25	Hex. head bolt M10×25	11	
34	304.31.249/250/251/252	转向臂调整垫片	Steering arm adusting shim	Needed	
35	GB/T3452.1-1992-34.5×2.65	O形圈 34.5×2.65	O-ring seal 34.5×2.65	1	
36	304.31.111-4	上轴承盖	Upper bearing cover	1	
37	GB/T3452.1-1992-85×2.65	O形圈 85×2.65	O-ring seal 85×2.65	1	
38	304.31.133	中间传动调整垫片	Adjusting shims for the first drive	One set	Two pcs for each size
39	GB/T276-1994-6011	轴承 6011	Ball bearing 6011	1	
40	304.31.138	锁紧垫片	Lock washer	1	
41	304.31.110-1	立轴挡圈	Blocking ring of upright shaft	1	
42	304.31.112-2	调整垫片	Adjusting shims	One set	Two pcs for each size
43	304.31.113-1	中间传动被动齿轮	Driven bevel gear of the first drive	1	
44	304.31.108-4	立轴套管	Upright shaft housing	1	
45	GB/T119.2-2000-A10×20	销 A10×20	Straight pin A10×20	1	
46	304.31.129-1	中间传动主动齿轮	Driving bevel gear of the first drive	1	
47	304.31.114-2	半轴	Half shaft	1	
48	404B.31.111	右梯形臂	Right steering trapezoid arm	1	
49	GB/T308-2002-8.7312G200b	钢球 8.7312G200b	Ball 8.7312G200b	1	11/32 "

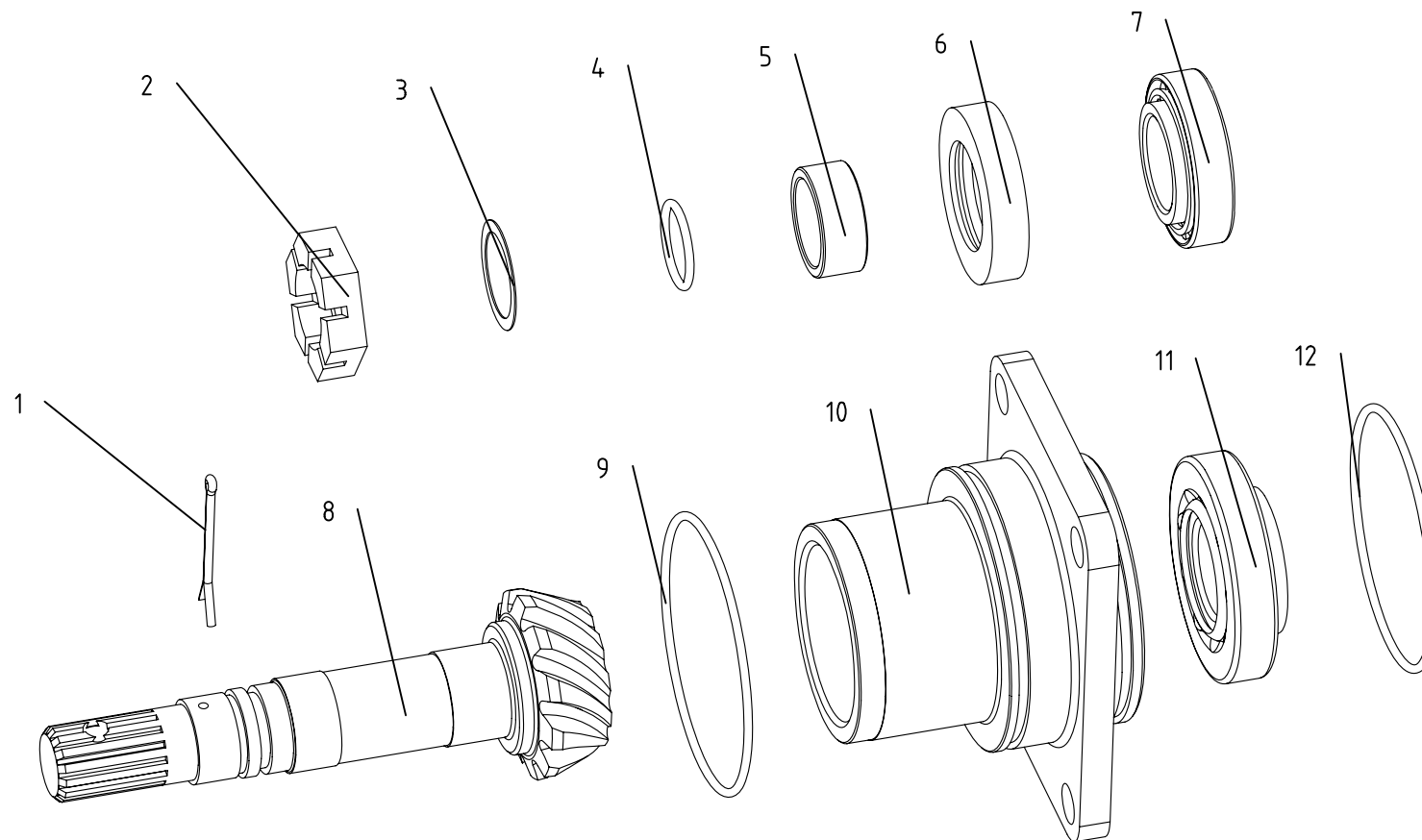
7.3 前驱动桥总成（左边减速）Front Wheel Drive Axle (Left Side-Slowdown)

续表

Ser.No.	Part No.	名称及规格	Name & Specifications	Quantity	Remarks
50	GB/T6171-2000-M10×1	螺母 M10×1	Hex. nut M10×1	1	
51	504.31.144	紧定螺钉	Set screw	1	M10×1
52		右边减速总成	Right final drive housing assembly	1	

7.4 前驱动桥总成 (304.31.022-1 部件)
Front Drive Axle (304.31.022-1 Assembly)

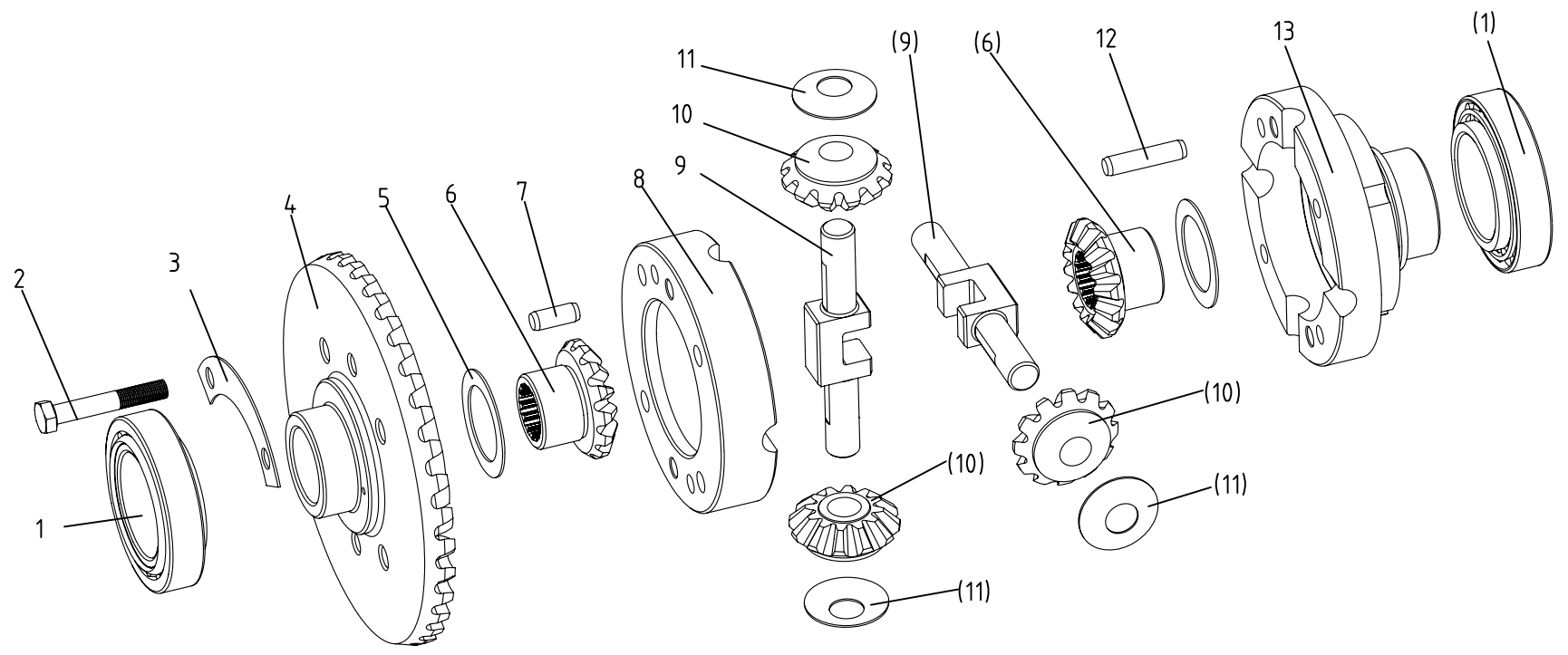
304.31.022-1



7.4 前驱动桥总成 (304.31.022-1部件) Front Wheel Drive Axle (304.31.022-1 Assembly)

Ser.No.	Part No.	名称及规格	Name & Specifications	Quantity	Remarks
1	GB/T91-2000-3.2×50	销 3.2×50	Split pin 3.2×50	1	
2	304.31.223-1	槽形螺母	Castle nut	1	M27×1.5
3	304.31.224-1	调整垫片	Adjusting shims	one set	One pcs for each size
4	GB/T3452.1-1992-23.6×2.65	O形圈 23.6×2.65	O-ring seal 23.6×2.65	1	
5	304.31.225-1	主动锥齿轮油封座圈	Oil-seal seat	1	
6	HG4-692-67-SD35×56×12	油封 SD35×56×12	Oil-seal SD35×56×12	1	
7	GB/T297-1994-32006	轴承 32006	Taper roller bearing 32006	1	
8	304.31.227	主动圆锥齿轮	Bevel drive pinion	1	
9	GB/T3452.1-1992-85×2.65	O形圈 85×2.65	O-ring seal 85×2.65	1	
10	304.31.226	主动锥齿轮轴承座	Bearing seat	1	
11	GB/T297-1994-31306	轴承 31306	Taper roller bearing 31306	1	
12	GB/T3452.1-1992-80×2.65	O形圈 80×2.65	O-ring seal 80×2.65	1	

7.5 前驱动桥总成 (304.31.014A部件)
Front Drive Wheel Axle (304.31.014Assembly)
304.31.014A

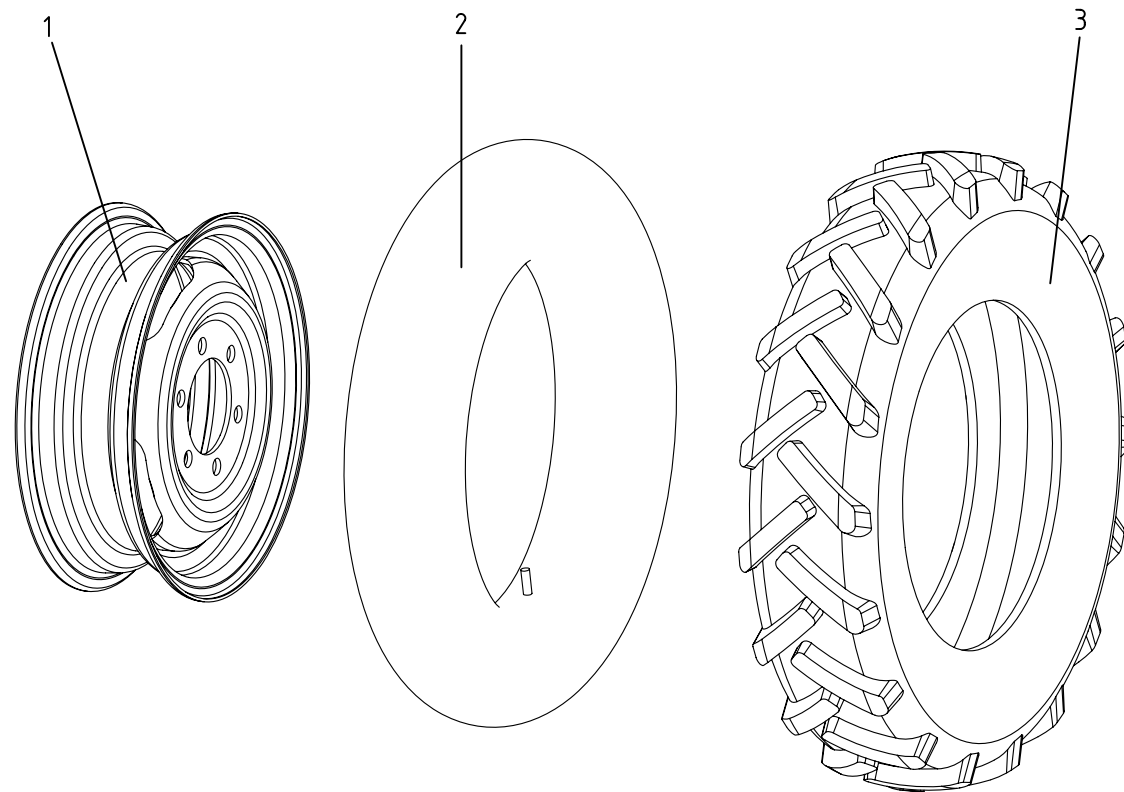


7.5 前驱动桥总成 (304.31.014A部件) Front Wheel Drive Axle (304.31.014A Assembly)

Ser.No.	Part No.	名称及规格	Name & Specifications	Quantity	Remarks
1	GB/T297-1994-32009	轴承 32009	Taper roller bearing 32009	2	
2	GB/T5782-2000-M8×50	螺栓 M8×50	Hex. head bolt M8×50	4	
3	304.31.206	被动圆锥齿轮锁紧片	Lock washer for crown gear	2	
4	304.31.207	被动圆锥齿轮	Crown gear	1	
5	304.31.210A	半轴齿轮垫圈	Half shaft gear washer	2	
6	304.31.211A	差速器半轴齿轮	Half shaft gear	2	
7	GB/T119.1-2000-A8×20	销 A8×20	Straight pin A8×20	2	
8	304.31.235	左差速器壳体	Left differential housing	1	
9	304.31.208A	行星齿轮轴	Planet gear shaft	2	
10	304.31.205A	差速器行星齿轮	Planet gear	2	
11	304.31.209A-1	行星齿轮垫圈	Planet gear washer	2	
12	GB/T119.1-2000-A8×35	销 A8×35	Straight pin A8×35	2	
13	304.31.236	右差速器壳体	Right differential housing	1	

8 前驱动轮总成 Front Drive Wheel

304.32.001



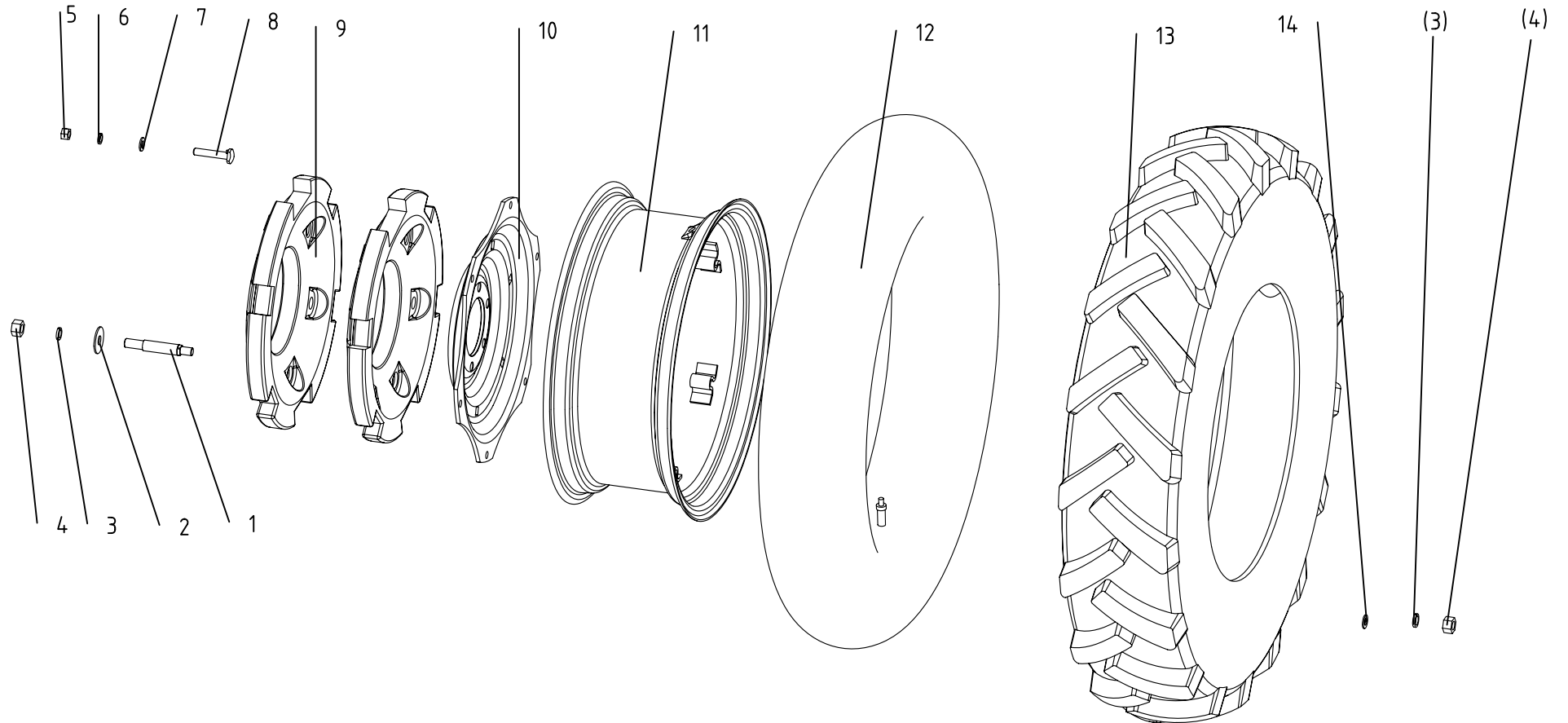
8 前驱动轮总成 Front Drive Wheel

Ser.No.	Part No.	名称及规格	Name & Specifications	Quantity	Remarks
1	304.32.011	轮辋总成	Rim,Front drive wheel	1×2	Optional
	304.32.011A	轮辋总成	Rim,Front drive wheel	1×2	
2	GB/T2979-1999-7.5-16	驱动轮内胎 7.5-16	Inner Tube 7.5-16	1×2	
3	GB/T2979-1999-7.5-16	驱动轮外胎 7.5-16	Cover tyre 7.5-16	1×2	

9 驱动轮总成

Drive Wheel

400-6. 34. 001



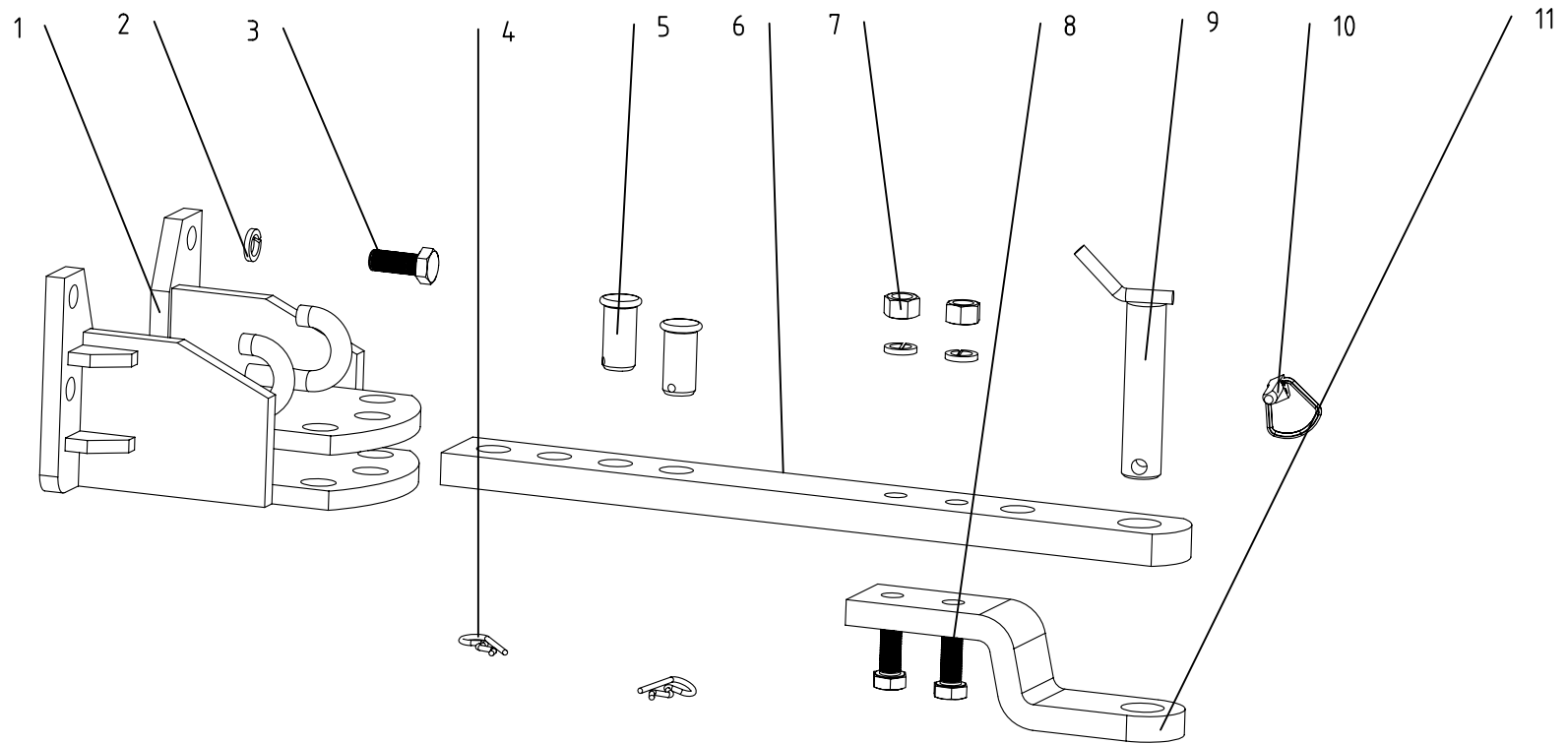
9 驱动轮总成 Drive Wheel

Ser.No.	Part No.	名称及规格	Name & Specifications	Quantity	Remarks
1	300.34.102-2	配重螺栓	Bolt for ballast	3×2	
2	200.34.118	大垫圈	Big washer	3×2	
3	GB/T93-1987-16	垫圈 16	Spring lock washer 16	6×2	
4	GB/T6170-2000-M16	螺母 M16	Hex. nut M16	6×2	
5	GB/T6176-2000-M14×1.5	螺母 M14×1.5	Fine thread hex. nut M14×1.5	6×2	
6	GB/T93-1987-14	垫圈 14	Spring lock washer 14	6×2	
7	200.34.117	垫圈	Washer	6×2	
8	200.34.115	轮辋螺栓	Attachment bolt	6×2	
9	300.34.101-2	后配重	Rear wheel ballast	2×2	
10	300.34.103-1	驱动轮辐板	Wheel disc	1×2	
11	400-6.34.020	轮辋焊合件	Wheel rim	1×2	
12	GB/T2979-1999-12.4-24	驱动轮内胎 12.4-24	Inner tube 12.4-24	1×2	
13	GB/T2979-1999-12.4-24	驱动轮外胎 12.4-24	Cover tyre 12.4-24	1×2	
14	GB/T97.1-2002-16	垫圈 16	Plain washer 16	3×2	

10. A 摆杆式牵引装置总成

Tractor Drawbar

300.53A.001



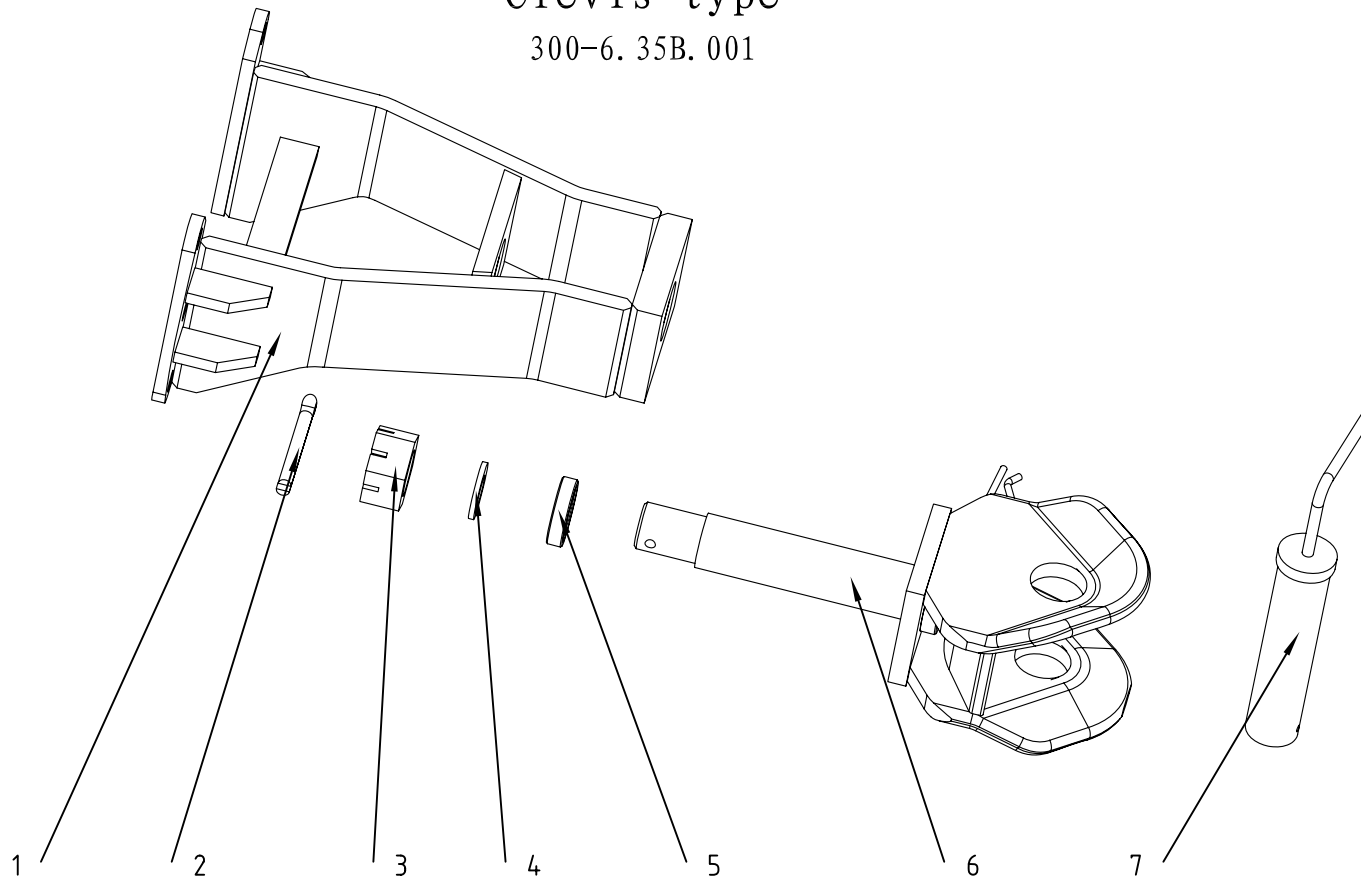
10. A 摆式牵引装置总成 Tractor Drawbar

Ser.No.	Part No.	名称及规格	Name & Specifications	Quantity	Remarks
1	300.53A.012-1	摆杆式牵引焊合件	Swing Drawbar Frame	1	
2	GB/T93-1987-16	垫圈 16	Spring lock washer 16	6	
3	GB/T5783-2000-M16×40	螺栓 M16×40	Hex. head bolt M16×40	4	
4	300.53.102	牵引R销	R-pin	2	
5	300.53.109	牵引销	Hitch pin	2	
6	300.53A.103	牵引板	Drawbar plate	1	
7	GB/T6170-2000-M16	螺母 M16	Hex. nut M16	2	
8	GB/T5782-2000-M16×65	螺栓 M16×65	Hex. head bolt M16×65	2	
9	300.53.011	销轴焊合件	Spindle	1	
10	200.56.011	锁销组合件	Lock pin	1	
11	300.53.104-1	牵引卡	Drawbar clamping plate	1	

10.B 牵引装置总成 (旋转式)

Clevis type

300-6.35B.001



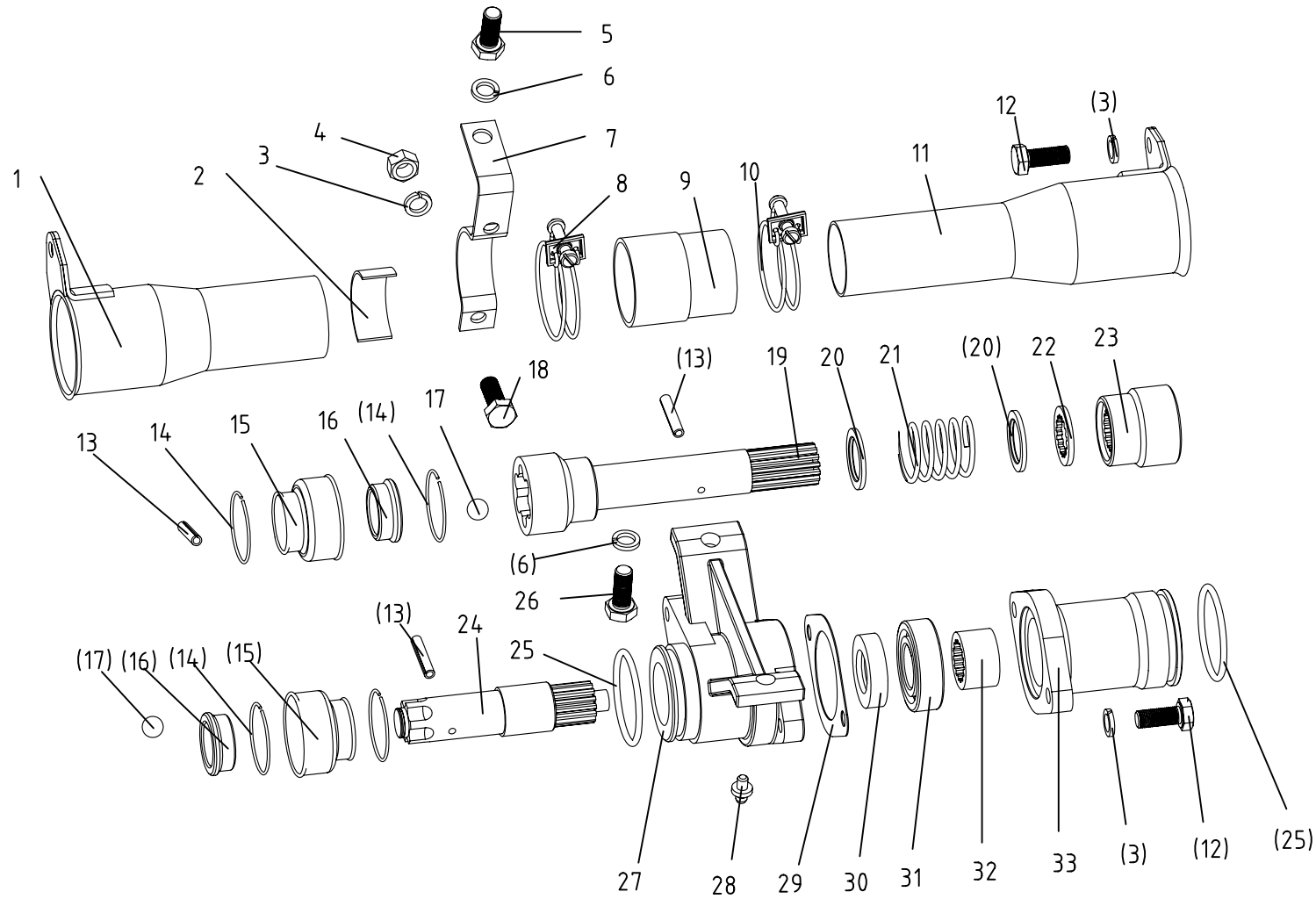
10.B 牵引装置总成（旋转式） Clevis type

Ser.No.	Part No.	名称及规格	Name & Specifications	Quantity	Remarks
1	300-6.35B.011	牵引架焊合件	Drawbar frame	1	
2	GB/T91-2000-8×60	销 8×60	Split pin 8×60	1	
3	GB/T6181-1986-M36×3	螺母 M36×3	Hex. Nut M36×3	1	
4	GB/T97.1-2002-36	垫圈 36	Plain washer 36	1	
5	300-6.35B.101	套筒	Cushion sleeve	1	
6	300-6.35B.013	连接架焊合件	Connect frame	1	
7	300-6.35.018	插销焊合件（二）	Hitch pin（二）	1	

11 传动轴总成

Transmission Shaft

404G2. 36. 001



11 传动轴总成 Transmission shaft

Ser.No.	Part No.	名称及规格	Name & Specifications	Quantity	Remarks
1	404G2.36.012	前套管焊合件	Front housing	1	
2	304.36.114	橡胶垫	Rubber pad	1	
3	GB/T93-1987-8	垫圈 8	Spring lock washer 8	4	
4	GB/T6170-2000-M8	螺母 M8	Hex. nut M8	2	
5	GB/T5783-2000-M10×20	螺栓 M10×20	Hex. head bolt M10×20	2	
6	GB/T93-1987-10	垫圈 10	Spring lock washer 10	4	
7	254D.36.104	套管吊环	Sleeve ring	2	
8	304.36.014	环箍 φ53总成	Hoop φ53	1	钢丝喉箍 φ50
9	304.36.103	密封套	Seal sleeve	1	
10	304.36.015	环箍 φ48总成	Hoop φ48	1	钢丝喉箍 φ50
11	354G2.36.012	后套管焊合件	Rear housing	1	
12	GB/T5783-2000-M8×25	螺栓 M8×25	Hex. head bolt M8×25	3	
13	GB/T879.1-2000-4×30	销 4×30	Slotted spring pin 4×30	3	
14	GB/T343-1994-I-1.4	热镀锌钢丝I-1.4	Steel wire I-1.4	按需 need	
15	304.36.108	橡胶护罩	Rubber cover	2	
16	304.36.101	支承套	Support sleeve	2	
17	GB/T308-2002-9	钢球 9	Steel ball 9	12	
18	GB/T5783-2000-M8×20	螺栓 M8×20	Hex. head bolt M8×20	3	
19	404G2.36.011	传动轴焊合件	Transmission shaft	1	
20	304.36.104	挡圈 (二)	Blocking ring (2)	2	
21	304.36.105	弹簧	Spring	1	
22	304.36.106	密封挡圈	Seal blocking ring	1	
23	304.36.107	后球形连接套	Rear connecting-sleeve	1	
24	304G2.36.102	后中轴	Rear mid-shaft	1	
25	GB/T3452.1-1992-48.7×3.55	O形圈 48.7×3.55	O-ring seal 48.7×3.55	2	

11 传动轴总成 Transmission shaft

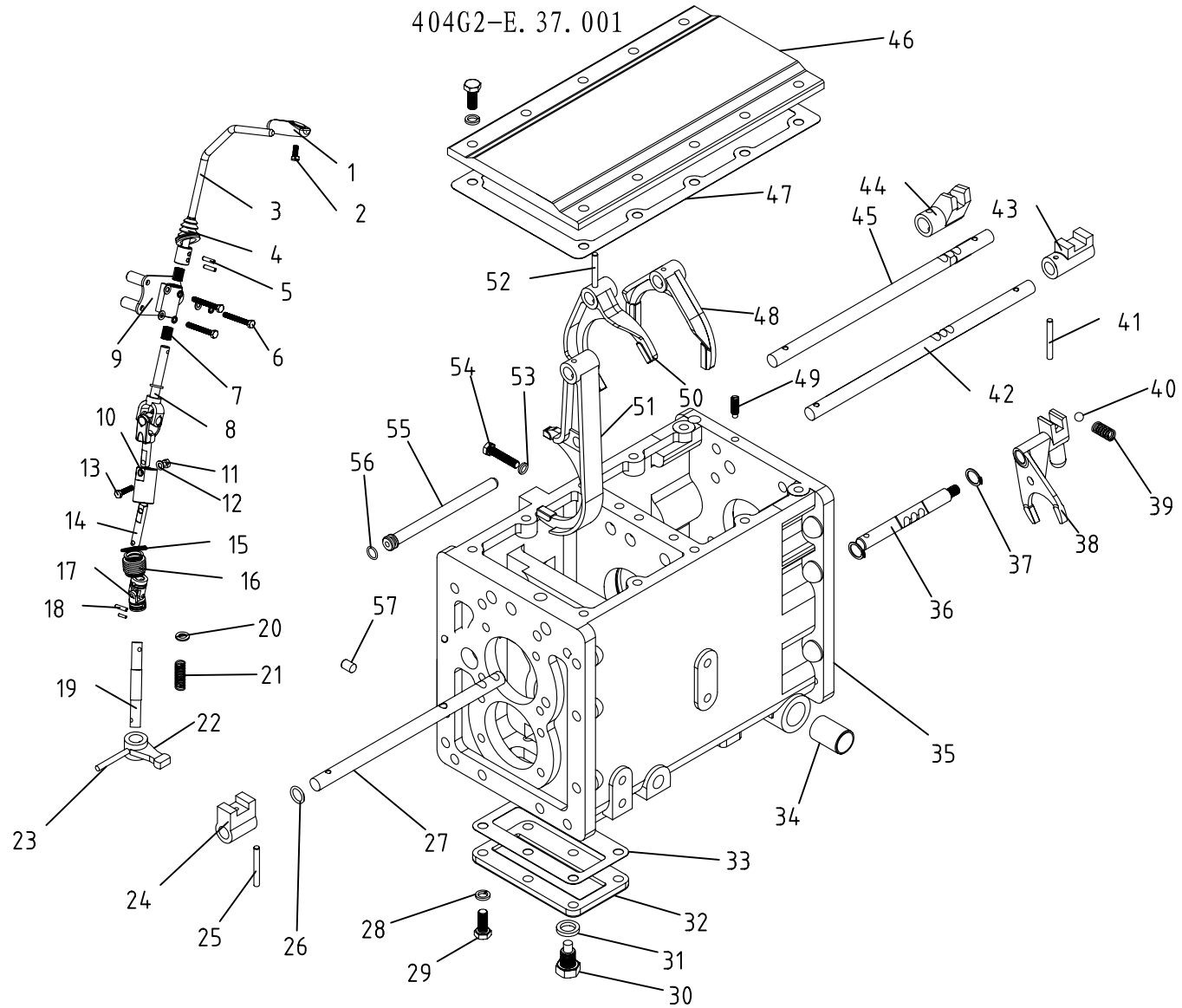
续表

Ser.No.	Part No.	名称及规格	Name & Specifications	Quantity	Remarks
26	GB/T5783-2000-M10×25	螺栓 M10×25	Hex. head bolt M10×25	2	
27	304.36.109	中轴座	Mid-shaft seat	1	
28	JB/T7940.1-1995-M10×1	油杯 M10×1	Grease cup M10×1	1	
29	304.36.110	纸垫	Paper gasket	1	
30	HG4-692-67-PG25×42×10	油封 PG25×42×10	Oil seal PG25×42×10	1	
31	GB/T276-1994-6205-Z	轴承 6205-Z	Ball bearing with shields 6205-Z	1	
32	304.36.113	接合套	Connecting sleeve	1	
33	304G2.36.101	中轴套管	Mid-shaft housing	1	

12.1 变速箱总成 (A)

Gearbox (A)

404G2-E. 37. 001



12.1 变速箱总成 (A) Gearbox (A)

Ser.No.	Part No.	名称及规格	Name & Specifications	Quantity	Remarks
1	504G3.29.020	梭行挡操纵手柄	Shift level handle	1	
2	GB/T 845-1985-ST4.2×13	自攻螺钉 ST4. 2×13	Bolt ST4.2×13	1	
3	504G3-E.29.019	梭行挡操纵杆焊合件	Shift level	1	
4	504G3.29.131	防尘罩	Dust cap	1	
5	GB/T879.1-2000-(6+4)×26	销 (6+4)×26	Slotted spring pin(6+4)×26	2	
6	GB/T5783-2000-M8×60	螺栓 M8×60	Hex. head bolt M8×60	3	
7	JB/T7918-1997-K15×19×17	滚动轴承K15×19×17	Needle roller bearing K15×19×17	2	
8	404G2-6F.37.016	万向节组合件	Gimbal	1	
9	404G2-6F.37.017	连接支架焊合件	Automotive frame	1	
10	404G2-6F.37.125	连接套	Adjusting plate	1	
11	GB/T6170-2000-M8	螺母 M8	Hexagon nut M8	1	
12	GB/T97.1-2002-8	垫圈 8	Plain washer 8	3	
13	GB/T5783-2000-M8×35	螺栓 M8×35	Hex. head bolt M8×35	1	
14	404G2-6F.37.122	连接轴	Joint shaft	1	
15	504G3.29.112	防护套固定钢丝	Circlip for shaft 28	2	
16	504G3.29.127	防护套	Safety cover	1	
17	504G3.29.015	万向节组合件 I	Gimbal I	1	
18	GB/T879.1-2000-(6+4)×28	销 (6+4)×28	Slotted spring pin(6+4)×28	2	
19	404G2-6F.37.121	梭行挡下杆	Joint shaft	1	
20	GB/T97.1-2002-16	垫圈16	Chamfered plain washer 16	1	
21	304G2.37.118-1	压簧	Pressure spring	1	
22	304G2.37.120	拨杆	Sliding lever	2	
23	GB/T879.1-2000-(6+4)×30	销 (6+4)×30	Slotted spring pin (6+4)×30	1	
24	304G2.37.128	梭形挡拨头	Patrol sliding block	1	
25	GB/T879.1-2000-5×32	销 5×32	Slotted spring pin 5×32	1	

12.1 变速箱总成 (A) Gearbox (A)

续表

Ser.No.	Part No.	名称及规格	Name & Specifications	Quantity	Remarks
26	GB/T3452.1-1992-15×2.65	O形圈 15×2.65	O-ring seal 15×2.65	3	
27	304G2.37.129	梭形挡拨叉轴	Patrol fork shaft	1	
28	GB/T93-1987-10	垫圈 10	Spring lock washer 10	16	
29	GB/T5783-2000-M10×25	螺栓 M10×25	Hex. Head bolt M10×25	16	
30	200.38.024	放油螺栓总成	Oil drain plug	1	
31	JB-FT-CU-16	组合铜垫圈 16	Combined seal washer 16	1	
32	300.37.150	底盖	Bottom cover	1	
33	300.37.151	纸垫	Paper gasket	1	
34	200.38.144-3	衬套	Bush	3	
35	404G2-6F.37.110	变速箱壳体	Gearbox housing	1	
36	404G2-6F.37.105	高低档拨叉轴	Range gear shift fork shaft	1	
37	GB/T894.1-1986-15	挡圈 15	Circlip for shaft 15	2	
38	404G2-6F.37.103	高低档拨叉	Shifting fork high - low speed range	1	
39	200.37.127-1	拨叉定位弹簧	Positioning spring, shift fork	4	
40	GB/T308-2002-9.5	钢球 9.5	Steel ball 9.5	4	
41	GB/T879.4-2000-6×24	销 6×24	Slotted spring pin 6×24	2	
42	404G2-6F.37.106	I - II 挡拨叉轴	Shaft, I - II shift fork	1	
43	404G2-6F.37.102	中拨头	Intermediate Sliding block	1	
44	404G2-6F.37.101	右拨头	Right Sliding block	1	
45	404G2-6F.37.107	III-IV 挡拨叉轴	Shaft, III-IV shift fork	1	
46	304G2.37.103	变速箱盖	Gearbox cover	1	
47	304G2.37.102	变速箱盖纸垫	Paper gasket , gearbox cover	1	
48	304G2.37.114	I - II 挡拨叉	I - II Fork	1	
49	GB/T75-1985-M8×30	螺钉 M8×30	Blot M8×30	1	

12.1 变速箱总成 (A) Gearbox (A)

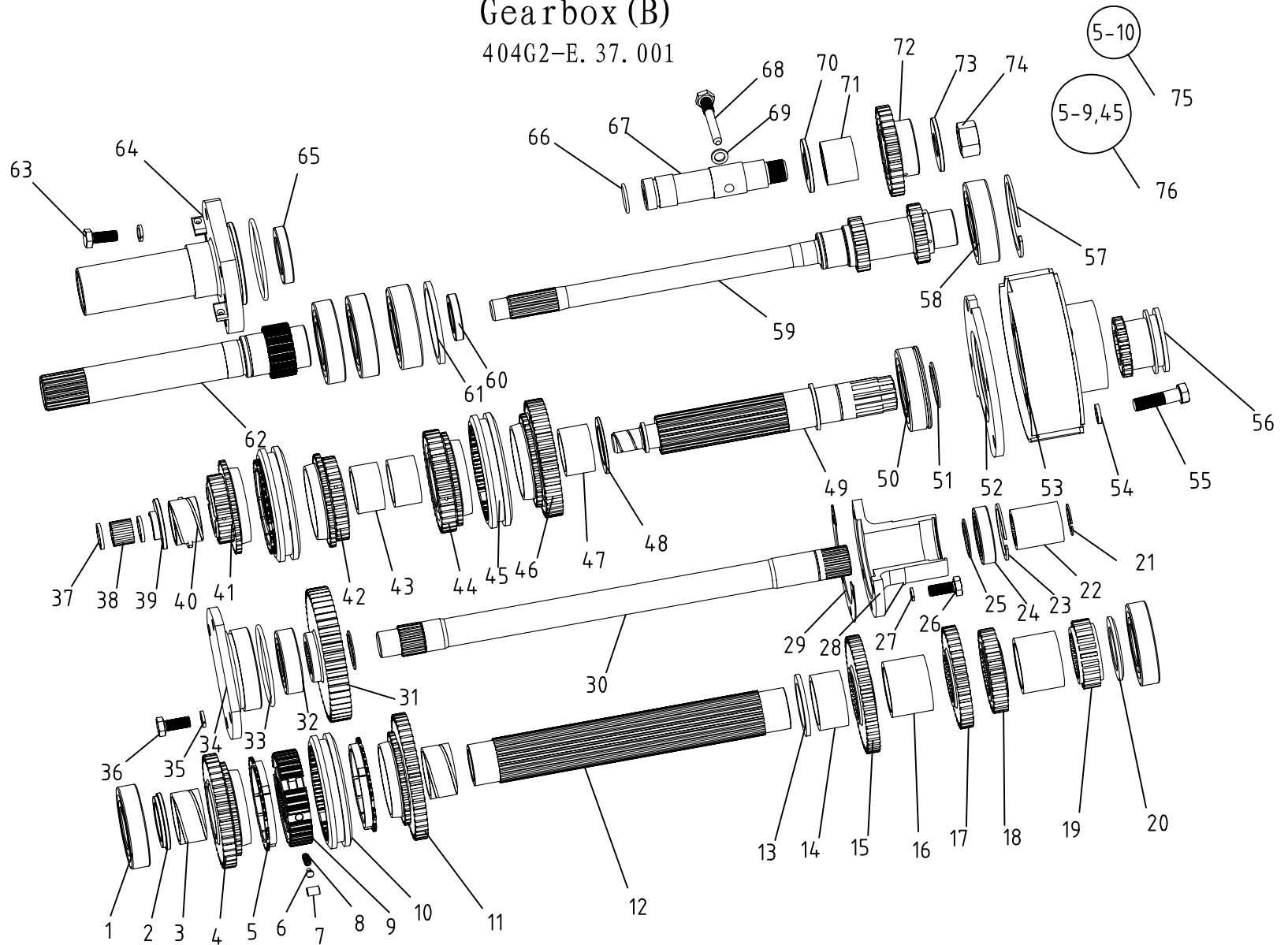
续表

Ser.No.	Part No.	名称及规格	Name & Specifications	Quantity	Remarks
50	304G2.37.112	III-IV挡拨叉	III-IV Fork	1	
51	304G2.37.130	梭形挡拨叉	Patrol fork	1	
52	GB/T879.1-2000-5×26	销 5×26	Slotted spring pin 5×26	7	
53	JB-FT-CU-12	组合铜垫圈12	Combined seal washer 12	1	
54	GB/T5783-2000-M12×25	螺栓 M12×25	Hex. head bolt M12×25	1	
55	304G2.37.155	梭形挡拨叉中轴	Patrol fork middle shaft	1	
56	GB/T3452.1-1992-11.2×2.65	O形圈 11.2×2.65	O-ring seal 11.2×2.65	1	
57	450.37.102	互锁销	Mutual locking plunger	1	

12.2 变速箱总成 (B)

Gearbox (B)

404G2-E. 37.001



12.2 变速箱总成 (B) Gearbox (B)

Ser.No.	Part No.	名称及规格	Name & Specifications	Quantity	Remarks
1	GB/T276-1994-6208	轴承 6208	Ball bearing 6208	4	
2	304G2.37.143	梭行挡前隔圈	Front spacer sleeve,patrol	1	
3	304G2.37.141	大衬套	Big bush	2	
4	304G2.37.018	梭行挡被动齿轮焊合件	Driven gear,patrol	1	
5	450.37.204	同步环	Synthronization ring	6	
6	450.37.207	托架	Bracket	9	
7	450.37.208	止销	Stop pin	9	
8	450.37.206	弹簧	Spring	9	
9	304G2.37.142	同步器齿座	Synchronizing gear seat	1	
10	450.37.202	滑动齿套	Sliding gear sleeve	3	
11	304G2.37.017	前进挡被动齿轮焊合件	Driven gear,advance	1	
12	304G2.37.135	中间轴	Counter-shaft	1	
13	304G2.37.140	梭行挡后隔圈	Rear spacer,patrol	1	
14	304G2.37.139	短隔圈	Short spacer	1	
15	304G2.37.138	IV挡主动齿轮	Driving gear,IV Speed	1	
16	304G2.37.134	长隔套	Long spacer	2	
17	304G2.37.137	III挡主动齿轮	Driving gear,III Speed	1	
18	304G2.37.136	II挡主动齿轮	Driving gear, II Speed	1	
19	304G2.37.133	I挡主动齿轮	Driving gear, I Speed	1	
20	280.37.111	中间轴后轴端挡圈	Rear retaining ring,counter-shaft	1	
21	GB/T893.1-1986-28	挡圈 28	Circlip for shaft 28	1	
22	300.37.132-1	输出轴接合套	Transmission shaft	1	
23	GB/T893.1-1986-55	挡圈 55	Circlip for shaft 55	1	
24	GB/T276-1994-6006	轴承 6006	Ball bearing 6006	1	
25	GB/T894.1-1986-30	挡圈 30	Circlip for shaft 30	1	

12.2 变速箱总成 (B) Gearbox (B)

续表

Ser.No.	Part No.	名称及规格	Name & Specifications	Quantity	Remarks
26	GB/T5783-2000-M8×25	螺栓 M8×25	Hex. Head bolt M8×25	4	
27	GB/T93-1987-8	垫圈 8	Spring lock washer 8	6	
28	280.37.110	中间轴后轴承盖	Rear bearing cover,counter-shaft	1	
29	280.37.200/201	调整垫片	Adjusting washer	按需	need
30	304G2.37.132	动力输出传动轴	PTO transmission shaft	1	
31	300.37.149-A	动力输出传动齿轮 (1000/540)	PTO transmission gear(1000/540)	1	
32	GB/T276-1994-6305	轴承 6305	Ball bearing 6305	1	
33	GB/T3452.1-1992-73×3.55	O形圈 73×3.55	O-ring seal 73×3.55	2	
34	304G2.37.144	中间轴前轴承盖	Front bearing cover,counter-shaft	1	
35	GB/T93-1987-10	垫圈 10	Spring lock washer 10	14	
36	GB/T5783-2000-M10×25	螺栓 M10×25	Hex. Head bolt M10×25	10	
37	200.37.105	滚针止推圈	Thrust washer,roller	2	
38	GB/T309-2000-2.5×19.8	滚针 2.5×19.8	Needle roller 2.5×19.8	28	
39	304G2.37.110	主变速前隔圈	Front spacer,main shift	1	
40	304G2.37.111	薄衬套	Thin bush	1	
41	304G2.37.011	IV挡被动齿轮焊合件	Driven gear,IV Speed	1	
42	304G2.37.012	III挡被动齿轮焊合件	Driven gear,III Speed	1	
43	304G2.37.113	短衬套	Short Bush	2	
44	304G2.37.013	II挡被动齿轮焊合件	Driven gear,II Speed	1	
45	450.37.203	同步器齿座	Synchronizing gear seat	2	
46	304G2.37.014	I挡被动齿轮焊合件	Driven gear,I Speed	1	
47	304G2.37.115	长衬套	Long bush	1	
48	304G2.37.116	主变速后隔圈	Rear spacer,main shift	1	
49	304G2.37.131	二轴	Shaft II	1	

12.2 变速箱总成 (B) Gearbox (B)

续表

Ser.No.	Part No.	名称及规格	Name & Specifications	Quantity	Remarks
50	GB/T276-1994-6307N	轴承 6307N	Snap ring ball bearing 6307N	1	
51	GB/T894.1-1986-35	挡圈 35	Circlip for shaft 35	1	
52	404G2-6F.37.108	二轴后轴承盖	Rear bearing cover , Shaft II	1	
53	404G2-6F.37.011	行星机构总成	Planet mechanism	1	
54	GB/T93-1987-12	垫圈 12	Spring lock washer 12	4	
55	GB/T5782-2000-M12×70	螺栓 M12×70	Hex. head bolt M12×70	4	
56	200.37.212	接合齿套	Sliding gear	1	
57	GB/T305-1989-80	止动环 80	stopper ring 80	1	
58	GB/T276-1994-6307	轴承 6307	Ball bearing 6307	2	
59	304G2.37A.102	一轴常啮合齿轮	Constant-mesh gear , shaft I	1	
60	300.37.107-2	输入轴油封	Oil seal	1	
61	304G2.37.145	隔套	Spacer	1	
62	300.37.103-A	输入轴(1000/540)	Input shaft (1000/540)	1	
63	GB/T5783-2000-M10×30	螺栓M10×30	Hex. head bolt M10×30	4	
64	404G2-6F.37.109-1	一轴前轴承盖	Front bearing cover , shaft I	1	
65	JB/T2600-1980-SG35×55×10	油封 SG35×55×10	Oil seal SG35×55×10	1	
66	GB/T3452.1-1992-25×2.65	O形圈 25×2.65	O-ring seal 25×2.65	1	
67	304G2.37.105	中间齿轮轴	Middle Gear Shaft	1	
68	304G2.37.104	中间齿轮轴插销	Block pin,middle gear shaft	1	
69	JB-FT-CU-10	组合铜垫圈 10	Washer 10	1	
70	304G2.37.106	中间齿轮前隔圈	Front spacer,middle gear shaft	1	
71	GB/T276-1994-6534905	轴承 6534905	Needle roller bearing6534905	1	
72	304G2.37.108	梭行挡中间齿轮	Middle gear,patrol	1	
73	304G2.37.109	中间齿轮前隔圈	Front spacer,middle gear shaft	1	

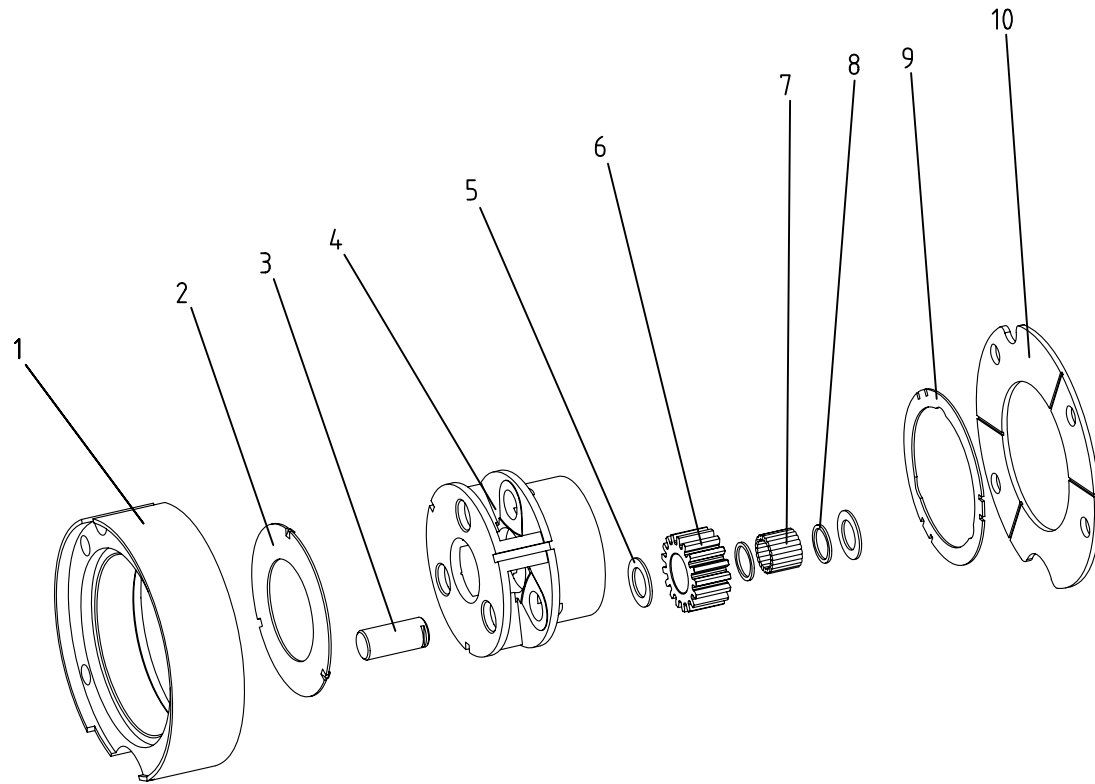
12.2 变速箱总成 (B) Gearbox (B)

续表

Ser.No.	Part No.	名称及规格	Name & Specifications	Quantity	Remarks
74	GB/T6171-2000-M16×1.5-L	螺母 M16×1.5-左	Hex. nut M16×1.5-L	1	
75	304G2.37.200	同步器总成	Synchronizer assy	1	
76	450.37.200	同步器总成	Synchronizer assy	2	

12.3 行星机构总成 Planet Mechanism System

404G2-6F. 37. 011



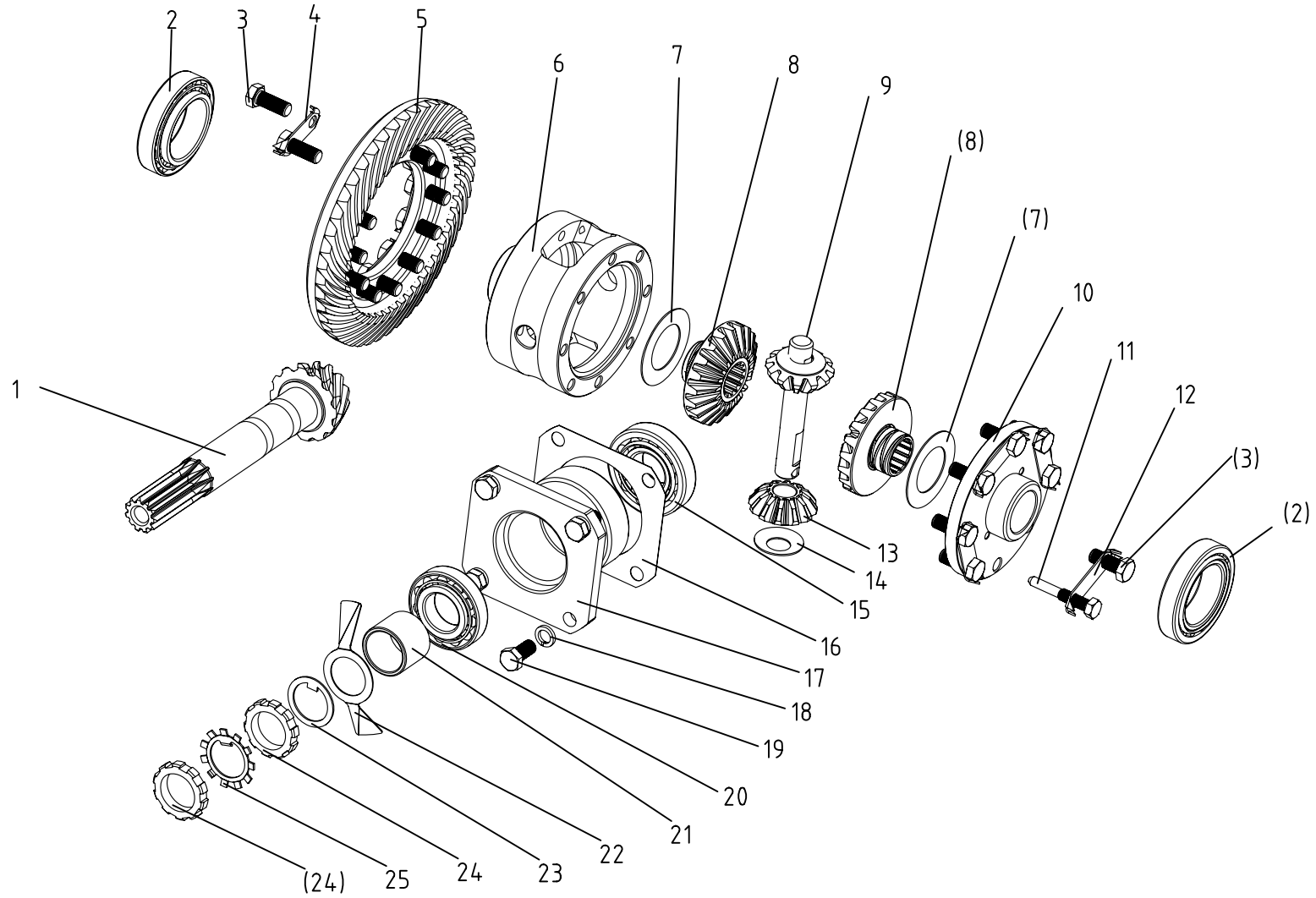
12.3 行星机构总成 Planet Mechanism System

Ser.No.	Part No.	名称及规格	Name & Specifications	Quantity	Remarks
1	404G2-6F.37.111	齿圈	Ring gear	1	
2	404G2-6F.37.112	行星轮架后盖	Rear cover , planet carrier	1	
3	200.37.202	行星齿轮轴	Planet gear shaft	3	
4	200.37.021	行星架压合件	Planet carrier	1	
5	200.37.204	行星轮垫片	Shim ,Planet gear	6	
6	200.37.207	行星齿轮	Planet gear	3	
7	GB/T309-2000-3×19.8	滚针 3×19.8	Needle roller 3×19.8	66	
8	200.37.203	行星轮滚针隔圈	Needle bearing retainer	6	
9	200.37.205	行星架后垫片	Rear shim , planet carrier	1	
10	200.37.201	行星架前垫片	Front shim , planet carrier	1	

13.1 后桥总成 (A)

Rear Axle (A)

404G2-6F. 38. 001



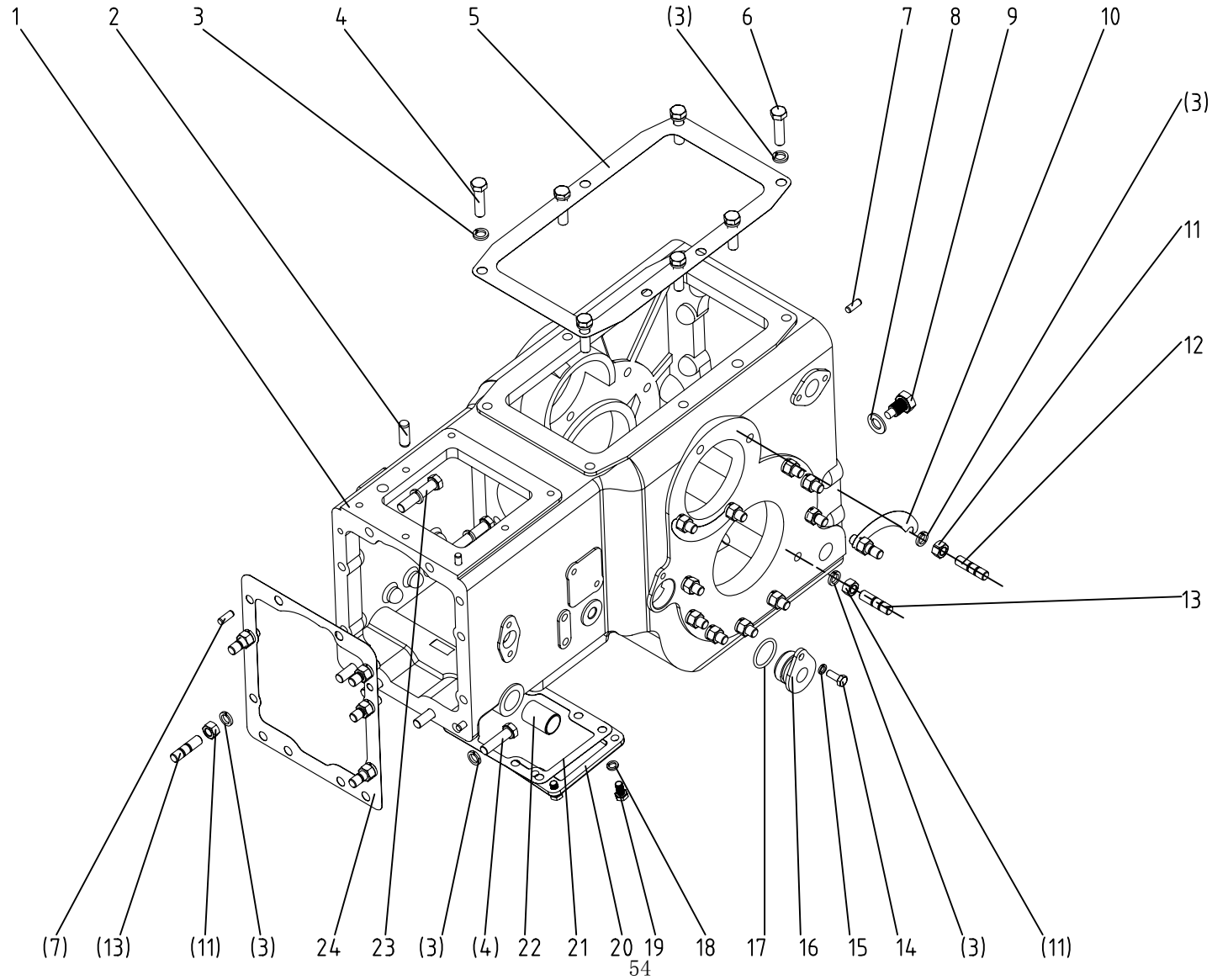
13.1 后桥总成 (A) Rear Axle(A)

Ser.No	Part No.	名称及规格	Name & Specifications	Quantity	Remarks
1	300.38.129	主传动主动圆锥齿轮	Spiral-bevel pinion	1	
2	GB/T297-1994-32011	滚动轴承 32011	Tapered roller bearing 32011	2	
3	GB/T5785-2000-M10×1×30	螺栓 M10×1×30	Fine pitch hex. head bolt M10×1×30	19	
4	300.38.139	锁紧垫片	Lock piece	6	
5	300.38.140	主传动被动圆锥齿轮	Spiral-bevel gear	1	
6	300.38.138-1	差速器壳体	Differential housing	1	
7	300.38.147-1	半轴齿轮垫片	Shim,half shaft gear	2	
8	300.38.141	半轴齿轮	Half shaft gear	2	
9	300.38.143	行星轴	Planet gear shaft	1	
10	300.38.148-1	差速器盖	Differential cover	1	
11	300.38.144	行星轴固定螺钉	Fixing bolt for planet shaft	1	
12	300.38.146	锁紧垫片	Lock piece	4	
13	300.38.142	行星齿轮	Planet gear	2	
14	300.38.145-1	行星齿轮垫片	Planet gear shim	2	
15	GB/T297-1994-30307	滚动轴承 30307	Tapered roller bearing 30307	1	
16	200.38.104	主传动主动齿轮调整垫片	Adjusting shim,spiral bevel pinion	1	
17	300.38.135	主动齿轮轴承座	Bearing seat,spiral bevel pinion	1	
18	GB/T93-1987	垫圈 12	Spring lock washer 12	4	
19	GB/T5786-2000-M12×1.5×35	螺栓 M12×1.5×35	Fine thread Hex. head bolt M12×1.5×35	4	
20	GB/T297-1994-30207	滚动轴承30207	Tapered roller bearing 30207	1	
21	300.38.134	短隔套	Short spacer sleeve	1	for 2WD
22	200.38.145	甩油片	Oil slinger	1	for 2WD
23	200.38.134	锁片	Lock piece	1	
24	200.38.130	锁紧螺母	Lock nut	2	
25	200.38.131	止退垫片	Lock washer	1	

13.2 后桥总成 (B)

Rear Axle (B)

404G2-6F. 38. 001

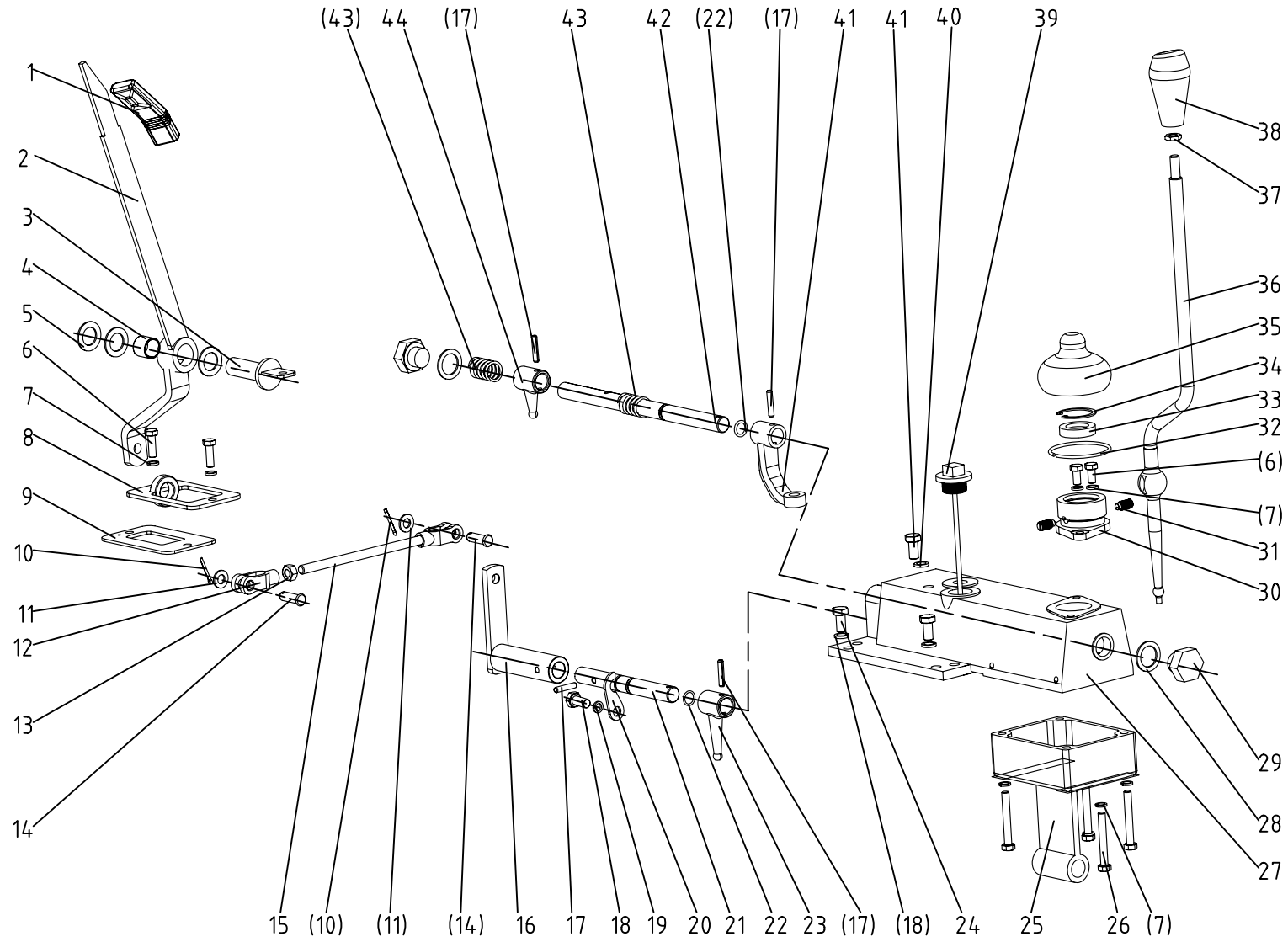


13.2 后桥总成 (B) Rear Axle (B)

Ser.No	Part No.	名称及规格	Name & Specifications	Quantity	Remarks
1	404G2-6F.38.101	后桥壳体	Transmission case	1	
2	GB/T119.1-2000-10×20	销 10×20	Parallel pin 10×20	2	
3	GB/T93-1987-12	垫圈 12	Spring lock washer 12	40	
4	GB/T5783-2000-M12×35	螺栓 M12×35	Hex. head bolt M12×35	10	
5	300.38.114	提升器壳体纸垫	Paper gasket,upper cover	1	
6	GB/T5782-2000-M12×45	螺栓 M12×45	Hex. head bolt M12×45	5	
7	GB/T119.1-2000-8×22	销 8×22	Parallel pin 8×22	4	
8	JB-FT-CU-16	组合铜垫圈 16	Combination washer 16	1	
9	200.38.024	放油螺塞总成	Oil drain plug	1	
10	300.38.116	主传动被动齿轮调整垫片	Adjusting shims,spiral crown gear	4组	
11	GB/T6170-2000-M12	螺母 M12	Hex. nut M12	23	
12	GB/T898-1988-AM12×40	螺柱 AM12×40	Double end stud AM12×40	31	
13	GB/T898-1988-AM12×35	螺柱 AM12×35	Double end stud AM12×35	23	
14	GB/T5783-2000-M8×20	螺栓 M8×20	Hex. head bolt M8×20	3	
15	GB/T93-1987-8	垫圈 8	Spring lock washer 8	3	
16	200.38.160	端盖	End cover	1	
17	GB/T3452.1-1992-33.5×3.55	O形圈 33.5×3.55	O-ring seal 33.5×3.55	1	
18	GB/T93-1987-10	垫圈 10	Spring lock washer 10	6	
19	GB/T5783-2000-M10×25	螺栓 M10×25	Hex. head bolt M10×25	6	
20	300.38.108	小盖板	Small cover	1	for 2WD
21	300.38.109	小盖板纸垫	Paper gasket,small cover	1	
22	200.38.144-3	衬套	Bush	2	
23	GB/T5782-2000-M12×60	螺栓 M12×60	Hex. head bolt M12×60	2	
24	404G2-6F.38.102	变速箱与后桥联接纸垫	Paper gasket	1	

13.3 操纵机构总成 Operation Mechanism System

404G2-6F. 38. 011



13.3 操纵机构总成 Operation Mechanism System

Ser.No.	Part No.	名称及规格	Name & Specifications	Quantity	Remarks
1	254G3.37.211	副变速换档杆手柄总成	Handle	1	for EC and AU
2	404G2-6F.38.041-1	副变速操纵杆焊合件	Range gear shift lever	1	
	404G2-6F.38.041A	副变速操纵杆焊合件	Range gear shift lever	1	
3	504G3-3.51.041	固定轴焊合件(一)	Fixed axis(1)	1	
4	504G3.55.218	衬套(20×20)	Sleeve(20×20)	1	
5	504G3-3.51.161	尼龙垫圈	Nylon washer	3	
6	GB/T5783-2000-M8×25	螺栓 M8×25	Hex.head bolt M8×25	4	
7	GB/T93-1987-8	垫圈 8	spring lock washer 8	8	
8	504G3-3.51.040	固定板焊合件(一)	Fixed board(1)	1	
9	504G3-3.51.107	密封垫(四)	Sealing gasket(4)	1	
10	GB/T91-2000-3.2×24	销 3.2×24	Split pin 3.2×24	2	
11	GB/T97.1-2002-10	垫圈 10	Plain washer 10	2	
12	254G2.43.102	拉杆叉	Fork	1	
13	GB/T6170-2000-M10	螺母 M10	Hex. nut M10	1	
14	GB/T882-1986-B10×30	销轴 B10×30	Clevis pin with head B10×30	2	
15	404G2-6F.38.043	副变速拉杆焊合件	Secondary change speed pull rod	1	
16	404G2-6F.38.042	摇臂焊合件	Swinging arm	1	
17	GB/T879.1-2000-6×30	销 6×30	Slotted spring pin 6×30	4	
18	GB/T5783-2000-M10×20	螺栓 M10×20	Hex.head bolt M10×20	1	
19	GB/T93-1987-10	垫圈 10	spring lock washer 10	5	
20	404G2-6F.38.116	限位板	Positioning plate	1	
21	404G2-6F.38.111	副变速转轴	Secondary change speed swinging axis	1	
22	GB/T3452.1-1992-13.2×2.65	O形圈 13.2×2.65	O-ring seal 13.2×2.65	2	
23	404G2-6F.38.112	副变速操纵拨头	Secondary shift shifting block	1	
24	GB/T5783-2000-M10×25	螺栓 M10×25	Hex.head bolt M10×25	4	

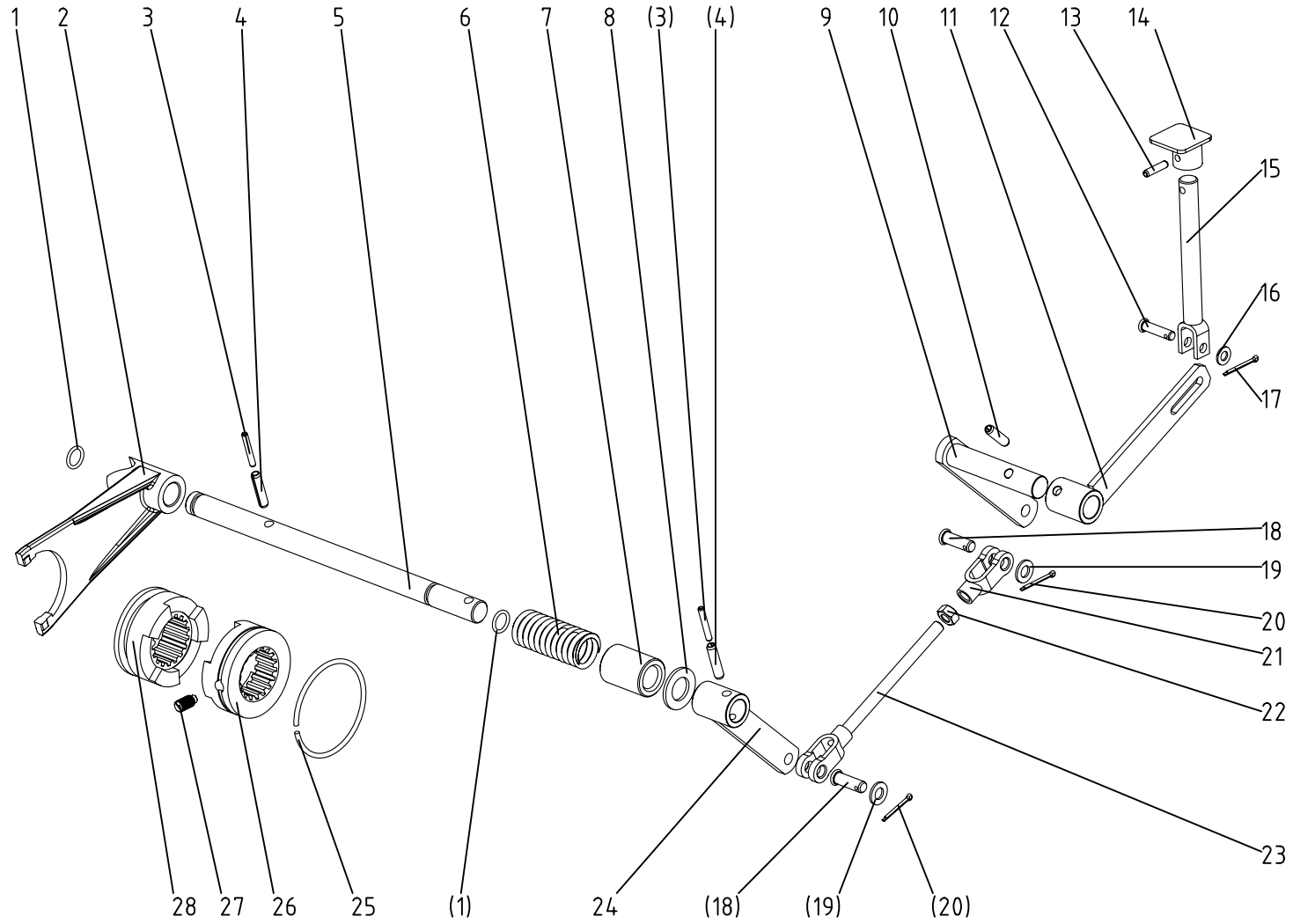
13.3 操纵机构总成 Operation Mechanism System

续表

Ser.No.	Part No.	名称及规格	Name & Specifications	Quantity	Remarks
25	404G2-6F.38.118	侧操纵下盖	Side-control Underneath cover	1	
26	GB/T5782-2000-M8×60	螺栓 M8×60	Hex.head bolt M8×60	4	
27	404G2-6F.38.113	侧操纵上盖	Side-control above cover	1	
28	JB-FT-CU-22	组合铜垫圈 22	Combination washer 22	2	
29	404-11.38C.107	堵头螺栓	Plug hex.head bolt	2	
30	404-11.38C.115	操纵杆支座	Gear-shift lever base	1	
31	GB/T75-1985-M8×14	螺钉 M8×14	Screw M8×14	2	
32	GB/T3081-1982- I -1.4×260	热镀锌丝 I -1.4×260	Galvanized steel wire I -1.40×260	1	
33	404-11.38C.117	尼龙座	Nylon base	1	
34	GB/T893.1-1986-40	挡圈 40	Circlip for hole 40	1	
35	300.37.188	防尘罩	Dust boot	1	
36	404G2-6F.38.114	主变速操纵杆	Gear-shift lever	1	
	404G2-6F.38.114A	主变速操纵杆	Gear-shift lever	1	for EC and AU
37	GB/T6172.1-2000-M10	螺母 M10	Thin hex. nut M10	1	
38	404G2-6F.38.117	主变速换挡杆手柄总成	Handle	1	
39	404G2-6F.38.016	油尺总成	Dipstick	1	
40	JB-FT-CU-12	组合铜垫圈 12	Combination washer 12	1	
41	GB/T5786-2000-M12×1.25×16	螺栓 M12×1.25×16	Hex.head bolt M12×1.25×16	1	
42	404G2-6F.38.120	外操纵拨头	Outside shifting block	1	
43	404G2-6F.38.115	操纵传递杆	Shifting lever	1	
44	404-11.38C.105	弹簧	Spring	2	
45	404G2-6F.38.119	内操纵拨头	Inner control shifting block	1	

13.4 差速锁总成 Differential Lock

404G2-6F. 38. 012



13.4 差速锁总成 Differential Lock

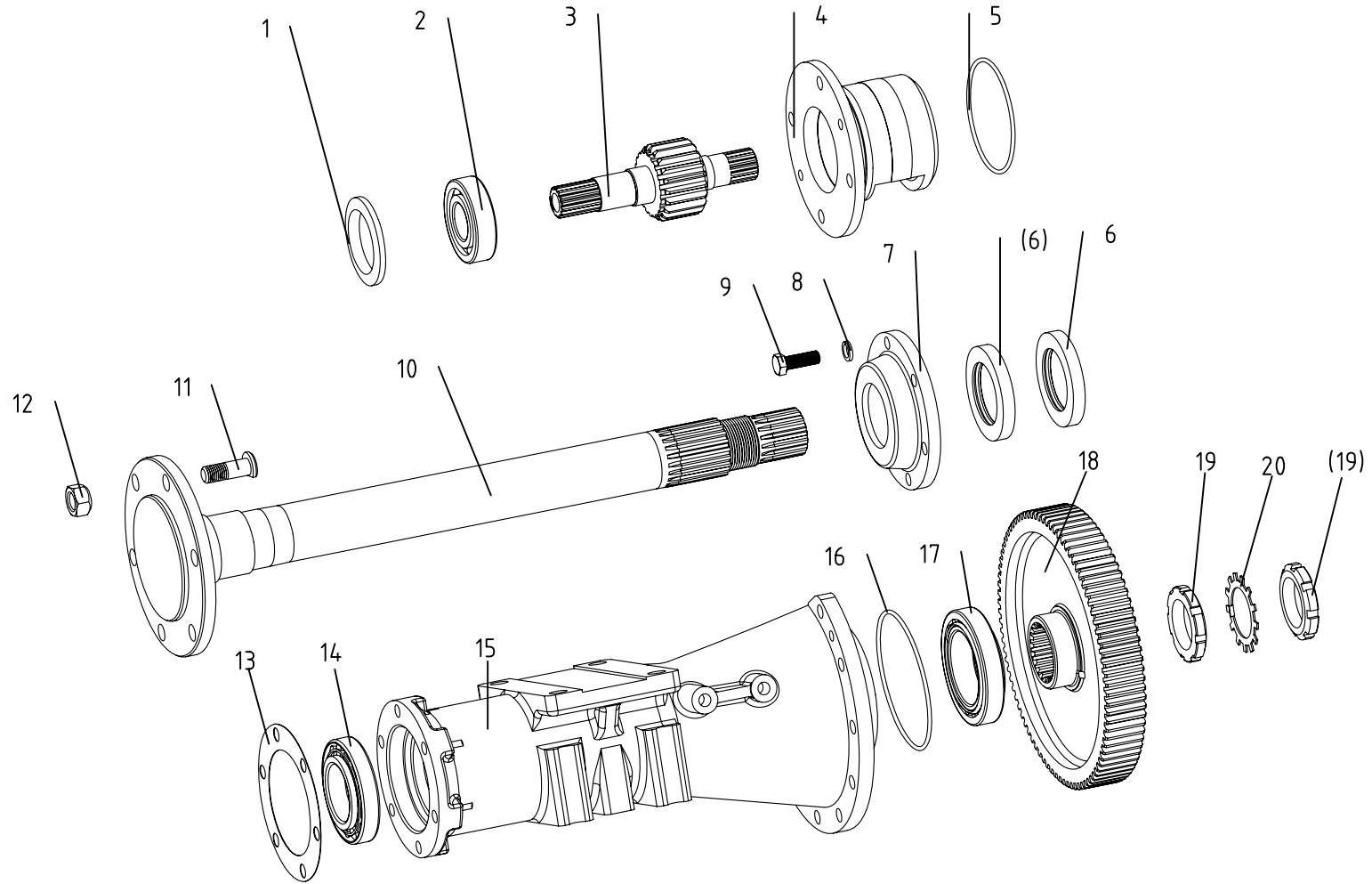
Ser.No.	Part No.	名称及规格	Name & Specifications	Quantity	Remarks
1	GB/T3452.1-1992-15×2.65	O形圈 15×2.65	O-ring seal 15×2.65	2	
2	300.38.154A	拨叉	Shift fork	1	
3	GB/T879.4-2000-5×35	销 5×35	Slotted spring pin 5×35	2	
4	GB/T879.4-2000-8×35	销 8×35	Slotted spring pin 8×35	2	
5	404G2-6F.38.121	拨叉轴	Shift fork shaft	1	
6	200.38.151-1	弹簧	Spring	1	
7	300.38.152-1	轴套	Sleeve	1	
8	GB/T97.1-2002-20	垫圈 20	Plain washer 20	1	
9	404G2-6F.38.032	转轴焊合件	Spindle weldment	1	
10	GB/T879.1-2000-8×30	销 8×30	Slotted spring pin 8×30	1	
11	404G2-6F.38.031-1	连接板焊合件	junction plate	1	
12	GB/T882-1986-B8×24	销轴 B8×24	Clevis pin with head B8×24	1	
13	GB/T879.4-2000-6×26	销 6×26	Slotted spring pin 6×26	1	
14	304G2-6.38.025	差速锁踏板焊合件	Differential lock pedal board	1	
15	304G2-6.38.023	差速锁踏杆焊合件	Differential lock pedal lever	1	
16	GB/T97.1-2002-8	垫圈 8	Plain washer 8	1	
17	GB/T91-2000-2×20	销 2×20	Split pin 2×20	1	
18	GB/T882-1986-B10×30	销轴 B10×30	Clevis pin with head B10×30	2	
19	GB/T97.1-2002-10	垫圈 10	Plain washer 10	2	
20	GB/T91-2000-3.2×24	销 3.2×24	Split pin 3.2×24	2	
21	254G2.43.102	拉杆叉	Fork	1	
22	GB/T6170-2000-M10	螺母 M10	Hex. nut M10	1	
23	404G2-6F.38.033	差速锁拉杆焊合件	Differential lock pull rod	1	
24	404G2-6F.38.034	差速锁摇臂焊合件	Differential lock swinging arm	1	
25	GB/T3081-1982- I -1.4×260	热镀钢丝 I -1.4×260	Galvanized steel wire I -1.40×260	1	

13.4 差速锁总成 Differential Lock

续表

Ser.No.	Part No.	名称及规格	Name & Specifications	Quantity	Remarks
26	300.38.170-1	右接合套	Right splicing sleeve	1	
27	300.38.178	紧定螺钉	Set screw with dog point	1	
28	300.38.169	左接合套	Left splicing sleeve	1	

14 最终传动总成
Final Transmission
300.39B.001/002

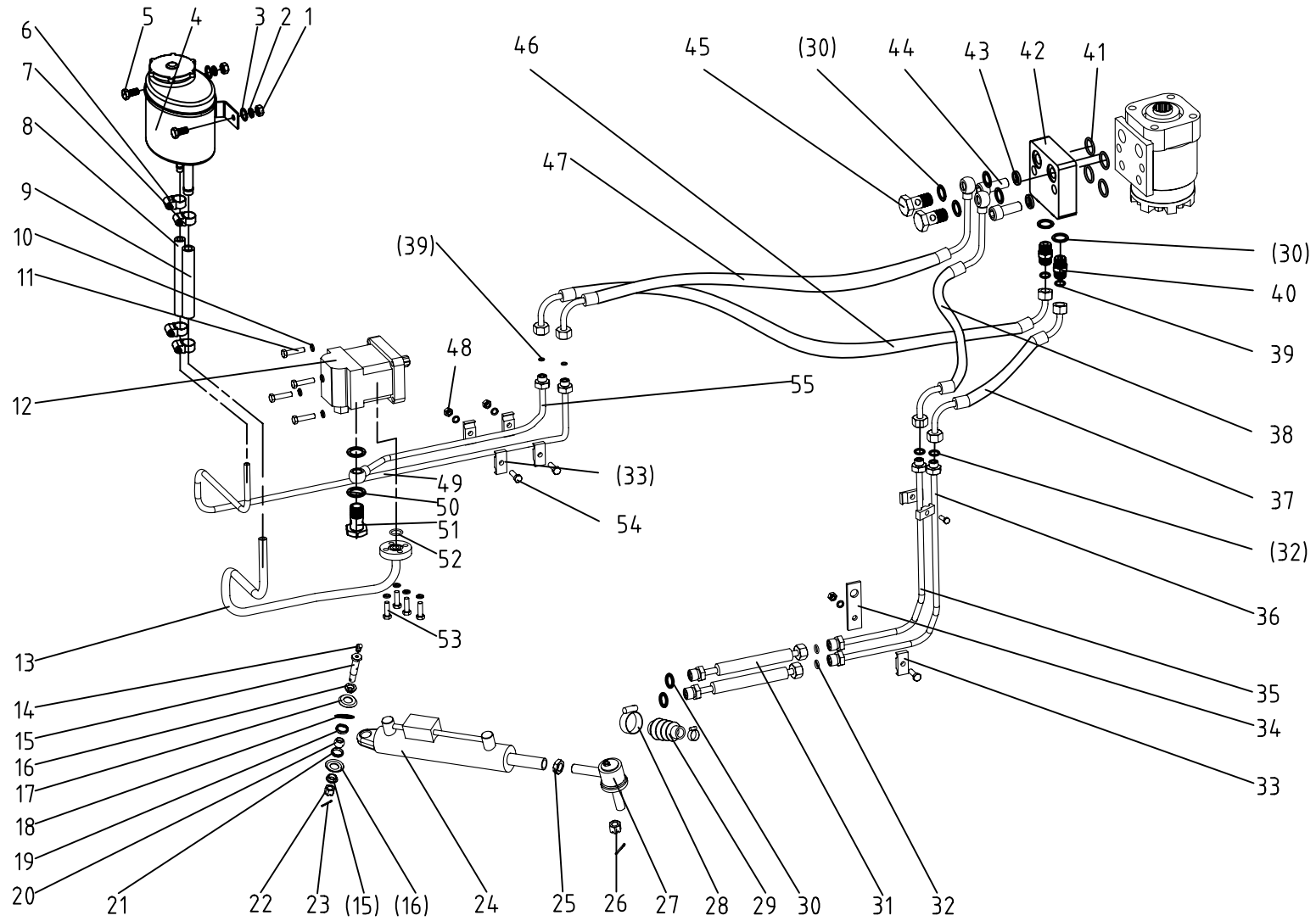


14 最终传动总成 Final Transmission

Ser. No.	Part No.	名称及规格	Name & Specifications	Quantity	Remarks
1	GB/T894.1-1986-35	挡圈 35	Circlip for shaft 35	1×2	
2	GB/T276-1994-6307	轴承 6307	Snap ring ball bearing 6307	1×2	
3	300.39B.101	主动齿轮	Driving gear	1×2	
4	300.39.109	轴承座	Bearing seat	1×2	
5	GB/T3452.1-1992-103×3.55	O形圈 103×3.55	O-ring seal 103×3.55	1×2	
6	HG4-692-67-SD60×90×12	油封 SD60×90×12	Oil seal SD60×90×12	2×2	
7	300.39.113	轴承盖	Bearing cover	1×2	200.39.102
8	GB/T93-1987-12	垫圈 12	Spring lock washer 12	6×2	
9	GB/T5783-2000-M12×35	螺栓 M12×35	Hex. head bolt M12×35	6×2	
10	300.39.103-3	半轴	Half shaft	1×2	
11	300.39.102	后轮毂螺栓	Rear hub bolt	6×2	
12	300.39.101	后轮毂螺母	Rear hub nut	6×2	
13	200.39.110	纸垫	Paper gasket	1×2	
14	GB/T297-1994-30211	圆锥滚子轴承 30211	Tapered roller bearing 30211	1×2	
15	300.39.105-2/106-2	左/右半轴套管	Right/left half shaft housing	1×2	
16	GB/T3452.1-1992-128×3.55	O形圈 128×3.55	O-ring seal 128×3.55	1×2	
17	GB/T297-1994-32014	圆锥滚子轴承 32014	Tapered roller bearing 32014	1×2	
18	300.39.110-2	被动齿轮	Driven gear	1×2	
19	300.39.114	锁紧螺母	Lock nut	2×2	
20	300.39.115	锁紧垫片	Lock pieces	1×2	GB/T858-1988-48

15.1 液压转向系统总成 Full Hydraulic Power Steering Gear

404G2-E. 40. 001



15.1 液压转向系统总成 Full Hydraulic Power Steering Gear

Ser.No.	Part No.	名称及规格	Name & Specifications	Quantity	Remarks
1	GB/T6170-2000-M10	螺母 M10	Hex.nut M10	2	
2	GB/T93-1987-10	垫圈 10	Spring lock washer 10	2	
3	GB/T97.1-2002-10	垫圈 10	Plain washer 10	2	
4	254G2.40.015-2	转向油箱总成	Oil tank	1	
5	GB/T5783-2000-M10×20	螺栓 M10×20	Hex.head bolt M10×20	2	
6	JB/T8870-1999-2A(13-20)	喉箍 2A(13-20)	Hoop 2A (13-20)	2	
7	JB/T8870-1999-2A(16-20)	喉箍 2A(16-20)	Hoop 2A (16-20)	3	
8	JB/T6015-2000-10-200	胶管 10-200	Rubber pipe 10-200	1	
9	JB/T6015-2000-13-200	胶管 13-200	Rubber pipe 13-200	1	
10	GB/T93-1987-8	垫圈 8	Spring lock washer 8	10	
11	GB/T5783-2000-M8×35	螺栓 M8×35	Hex.head bolt M8×35	4	
12	HLCB-D04/06	恒流泵	Constant flow pump	1	
13	304G2-6E.40.023	油泵进油管焊合件	Oil delivery pipe weldment	1	
14	JB/T7940.2-1995-45°M10×1	油杯 45°M10×1	Grease nipple 45°M10×1	2	
15	304.40.127	销	Pin	1	
16	304.40.130	挡圈	Circlip stop ring	4	
17	304.40.128	防尘罩	Dustproof cover	4	
18	GB/T893.1-1986	挡圈30	Circlip for shaft 30	1	
19	304.40.126	上球头座	Upper ball saet	1	
20	304.40.129	球接头	Ball connector	1	
21	304.40.125	下球头座	Lower ball seat	1	
22	GB/T6181-1986-M14×1.5	螺母 M14×1.5	Hex. nut M14×1.5	1	
23	GB/T91-2000-3.2×24	销 3.2×24	Split pin 3.2×24	2	
24	404-6.40.021	转向油缸总成	Steering cylinder assy	1	
25	GB/T6181-2000-M14	螺母 M14	Hex.nut M14	1	

15.1 液压转向系统总成 Full Hydraulic Power Steering Gear

续表

Ser.No.	Part No.	名称及规格	Name & Specifications	Quantity	Remarks
26	GB/T6181-2000-M14	螺母 M14	Hex. nut M14	1	
27	450.31.026-1	转向接头总成 (右)	Connector assy (Right)	1	
28	JB/T8870-1999-2A (44-64)	喉箍 2A (44-64)	Hoop 2A (44-64)	1	
29	304.40A.132	橡胶护套	Rubber jacket	1	
30	JB-FT-CU-16	组合铜垫圈 16	Combination washer 16	8	
31	300A.40A.011	软管总成	Hose assy	2	
32	GB/T3452.1-1992-10.6×2.65	O形圈 10.6×2.65	O-ring seal 10.6×2.65	4	
33	254-8.40.109	两通管夹	Pipe nip	8	
34	404-6.40.101	管夹固定板	Oil pipe fixed clip	1	
35	404G2-6D.40.011	转向油缸油管焊合件(一)	Steering cylinder pipe(1)	1	
36	404G2-6D.40.012	转向油缸油管焊合件(二)	Steering cylinder pipe(2)	1	
37	404G2-E.40.014	转向油缸软管总成(B)	Hose assy(B)	1	
38	404G2-E.40.013	转向油缸软管总成(A)	Hose assy(A)	1	
39	GB/T3452.1-1992-7.5×1.8	O形圈 7.5×1.8	O-ring seal 7.5×1.8	6	
40	504G3.40.102	管接头体	Connetor	2	
41	GB/T3452.1-1992-20×2.65	O形圈 20×2.65	O-ring seal 20×2.65	4	
42	504G3.40.101	阀块	Valve	1	
43	GB/T93-1987-12	垫圈 12	Spring lock washer 12	2	
44	GB/T70.1-2000-M12×30	螺栓 M12×30	Hex.head bolt M12×30	2	
45	JB/T6013-2000-M16×1.5	铰接螺栓 M16×1.5	Hollow bolt M16×1.5	2	
46	404G2-E.40.015	转向器进油软管总成	Oil delivery hose assy	1	
47	404G2-E.40.016	转向器回油软管总成	Oil return hose assy	1	
48	GB/T6170-2000-M8	螺母 M8	Hex.nut M8	4	
49	404G2-6D.40.014	转向器回油管焊合件	Oil return pipe weldment	1	

15.1 液压转向系统总成 Full Hydraulic Power Steering Gear

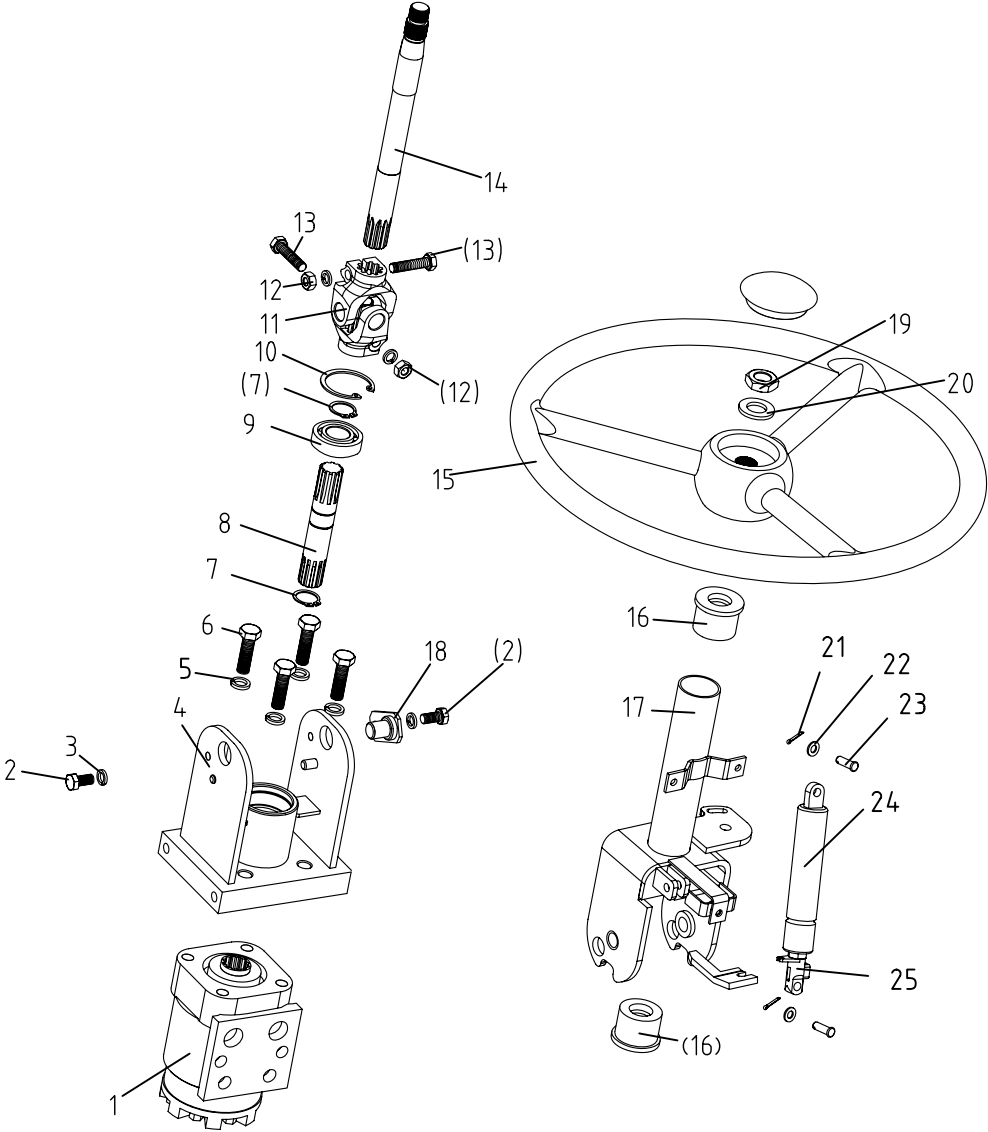
续表

Ser.No.	Part No.	名称及规格	Name & Specifications	Quantity	Remarks
50	JB-FT-CU-18	组合铜垫圈 18	Combination washer 18	2	
51	250D.58.118	铰接螺栓 M18×1.5	Hollow bolt M18×1.5	1	
52	GB/T3452.1-1992-18×2.65	O形圈 18×2.65	O-ring seal 18×2.65	1	
53	GB/T5783-2000-M8×40	螺栓 M8×40	Hex.head bolt M8×40	2	
54	GB/T5783-2000-M8×30	螺栓 M8×30	Hex.head bolt M8×30	4	
55	404G2-6D.40.013	转向器进油管焊合件	Oil delivery pipe weldment	1	

15.2 转向总成

Steering System

404G2-E. 40. 011



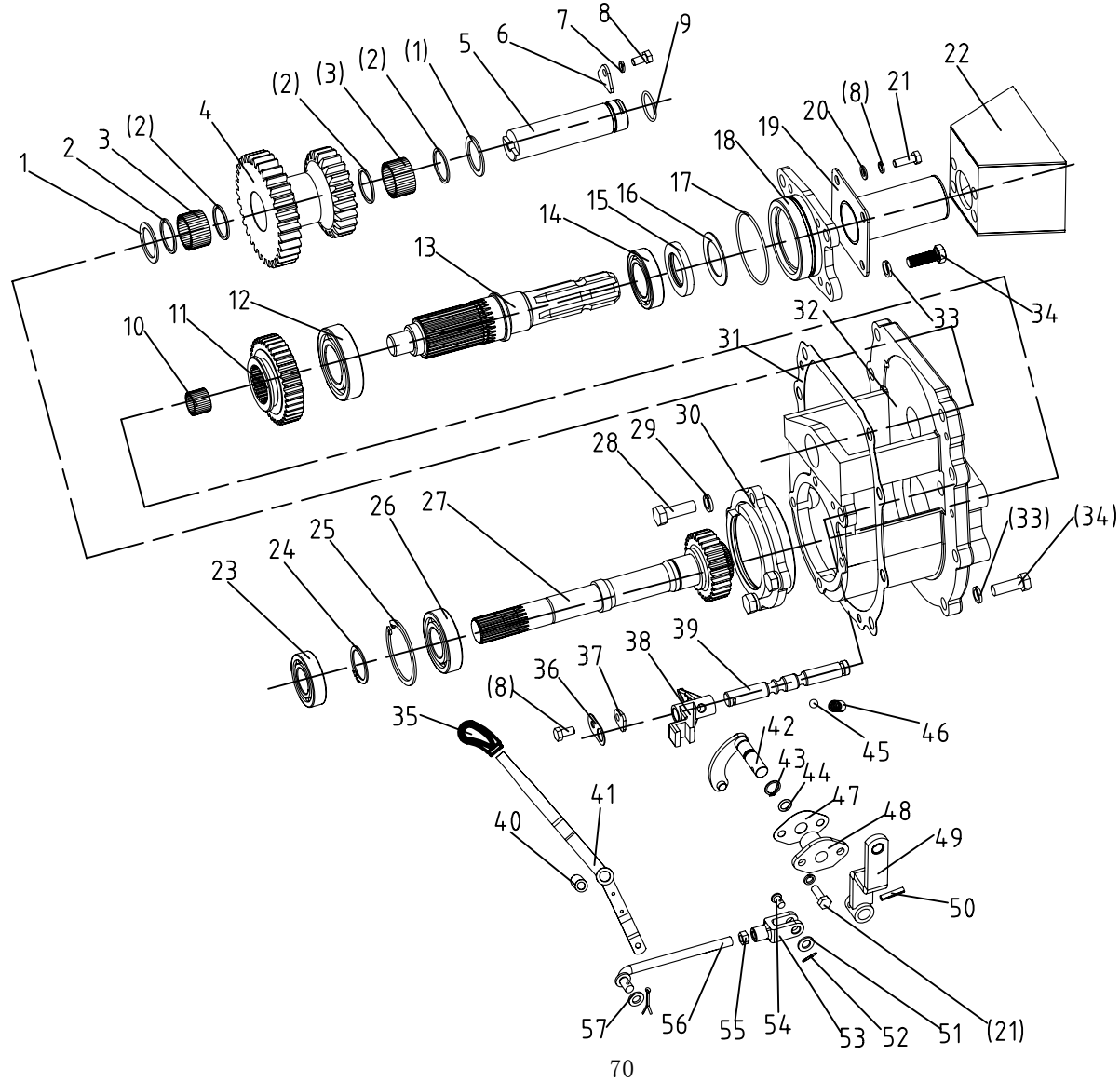
15.2 液压转向系统总成 (B) Full Hydraulic Power Steering Gear (B)

Ser.No.	Part No.	名称及规格	Name & Specifications	Quantity	Remarks
1	102S-1-50-07-D	液压转向器	Hydraulic steering gear	1	
2	GB/T5783-2000-M8×16	螺栓 M8×16	Hex. head bolt M8×16	2	
3	GB/T93-1987-8	垫圈 8	Spring lock washer 8	4	
4	504G3-E.40.021	底座焊合件	Pedestal	1	
5	GB/T93-1987-10	垫圈 10	Spring lock washer 10	4	
6	GB/T5783-2000-M10×35	螺栓 M10×35	Hex. head bolt M10×35	4	
7	GB/T894.1-1986-20	挡圈 20	Circlip for shaft 20	2	
8	504G3.40.137	花键轴	Spline	1	
9	GB/T276-1994-6004-2Z	轴承 6004-2Z	Ball bearing 6004-2Z	1	
10	GB/T893.1-1986-42	挡圈 42	Circlip for shaft 42	1	
11	504G3.40.037	万向节总成	Gimbal	1	
12	GB/T6170-2000-M8	螺母 M8	Hex. nut M8	4	
13	GB/T5783-2000-M8×35	螺栓 M8×35	Hex. head bolt M8×35	2	
14	504G3.40.157	转向轴	Steering shaft	1	
15	550-1.40A.017	方向盘总成	Steering wheel assy	1	
16	304.40.112	橡胶轴承	Rubber sleeve	2	
17	504G3-E.40.022	支架焊合件	Bracket weldment	1	
18	504G3.40.033	销轴焊合件 (二)	Pin(2)	1	
19	GB/T6173-2000-M16×1.5	螺母 M16×1.5	Hex. nut M16×1.5	1	
20	GB/T97.1-2002-16	垫圈 16	Plain washer 16	1	
21	GB/T91-2000-3.2×18	销 3.2×18	Split pin 3.2x18	2	
22	GB/T97.1-2002-8	垫圈 8	Plain washer 8	2	
23	GB/T882-1986-B8×28	销轴 B8×28	Clevis pin with head B8×28	2	
24	5206HX	锁止气弹簧	Gas spring	1	
25	132543	释放杆总成	Release lever	1	

16 动力输出轴总成

PTO

404G2-6F. 41. 001



16 动力输出总成 PTO

Ser.No.	Part No.	名称及规格	Name & Specifications	Quantity	Remarks
1	300.41B.103	挡圈	Blocking ring	2	
2	300.41B.104	挡圈	Blocking ring	4	
3	GB/T309-2000-3×23.8	滚针 3×23.8	Needle roller 3×23.8	78	
4	400B.41.106	中间齿轮 (540/1000)	Middle gear (540/1000)	1	选装
5	300.41B.107	双速输出中间轴	Middle shaft	1	
6	300.41B.109	中间轴定位板	Locating plate of middle shaft	1	
7	GB/T93-1987-8	垫圈 8	Spring lock washer 8	7	
8	GB/T5783-2000-M8×16	螺栓 M8×16	Hex. head bolt M8×16	2	
9	GB/T3452.1-1992-30×2.65	O形圈 30×2.65	O-ring seal 30×2.65	1	
10	GB/T5846-1994-K223020	轴承 K223020	Bearing K223020	1	
11	400B.41.117	换档齿轮 (540/1000)	Shifting gear (540/1000)	1	
12	GB/T276-1994-6209	轴承 6209	Ball bearing 6209	1	
13	300.41B.114	动力输出轴 (6键)	PTO shaft (of 6 teeth)	1	
14	GB/T276-1994-6008	轴承 6008	Ball bearing 6008	1	
15	GB/T13871.1-2007-FB40×62×8	油封 FB40×62×8	Oil seal FB40×62×8	1	
16	300.41B.125	油封挡圈	Oil seal blocking ring	1	
17	GB/T3452.1-1992-80×2.65	O形圈 80×2.65	O-ring seal 80×2.65	1	
18	300.41B.115-1	动力输出盖板	Rear cover of rear axle	1	
19	300.41.011	防尘盖	PTO shaft shield	1	
20	GB/T97.1-2002-8	垫圈 8	Plain washer 8	4	
21	GB/T5783-2000-M8×25	螺栓 M8×25	Hex. head bolt M8×25	6	
22	400-6.41.011	动力输出护罩	PTO shaft safety cover	1	
23	GB/T276-1994-6206	轴承 6206	Ball bearing 206	1	
24	GB/T894.1-1986-35	挡圈 35	Circlip for shaft 35	1	
25	GB/T893.1-1986-80	挡圈 80	Circlip for hole 80	1	

16 动力输出总成 PTO

续表

Ser.No.	Part No.	名称及规格	Name & Specifications	Quantity	Remarks
26	GB/T276-1994-6307	轴承 6307	Ball bearing 6307	1	
27	400B.41.123A	传动齿轮轴(540/1000)	Driving gear shaft (540/1000)	1	
28	GB/T5783-2000-M10×25	螺栓 M10×25	Hex. head bolt M10×25	4	
29	GB/T93-1987-10	垫圈 10	Spring lock washer 10	4	
30	400B.41.102-2	轴承座	Bearing seat	1	
31	400B.41.116	双速输出齿轮壳体垫片	Gasket of rear cover	1	
32	400B.41.108-1	动力输出壳体	PTO gear housing	1	
33	GB/T93-1987-12	垫圈 12	Spring lock washer 12	12	
34	GB/T5783-2000-M12×35	螺栓 M12×35	Hex. head bolt M12×35	12	
35	504G3.41.104	动力输出操纵杆手柄	PTO control handle	1	
36	300.41B.122	锁紧垫片	Lock washer	1	
37	300.41B.101	拨叉轴定位板	Locating plate of shift fork shaft	1	
38	400B.41.112-1	拨叉	Shift fork	1	
39	400B.41.111	拨叉轴	Shift fork shaft	1	
40	504G3.55.218	衬套 (20×20)	Sleeve(20×20)	1	
41	404G2-6F.41.021-1	手柄焊合件	Handle weldment	1	
	404G2-6F.41.021A	手柄焊合件	Handle weldment	1	for EC and AU
42	400B.41.011-1	转轴焊合件	controlling shaft	1	
43	GB/T894.1-1986-15	挡圈 15	Circlip for shaft 15	1	
44	GB/T3452.1-1992-10.6×2.65	O形圈 10.6×2.65	O-ring seal10.6×2.65	2	
45	GB/T308-2002-9.5	钢球 9.5	Steel ball 9.5	1	
46	200.37.127-1	拨叉定位弹簧	Shift fork positioning spring	1	
47	200.38.111	操纵轴衬套纸垫	bushing gasket	1	
48	200.38.113	操纵轴衬套	Controlling shaft bushing	1	

16 动力输出总成 PTO

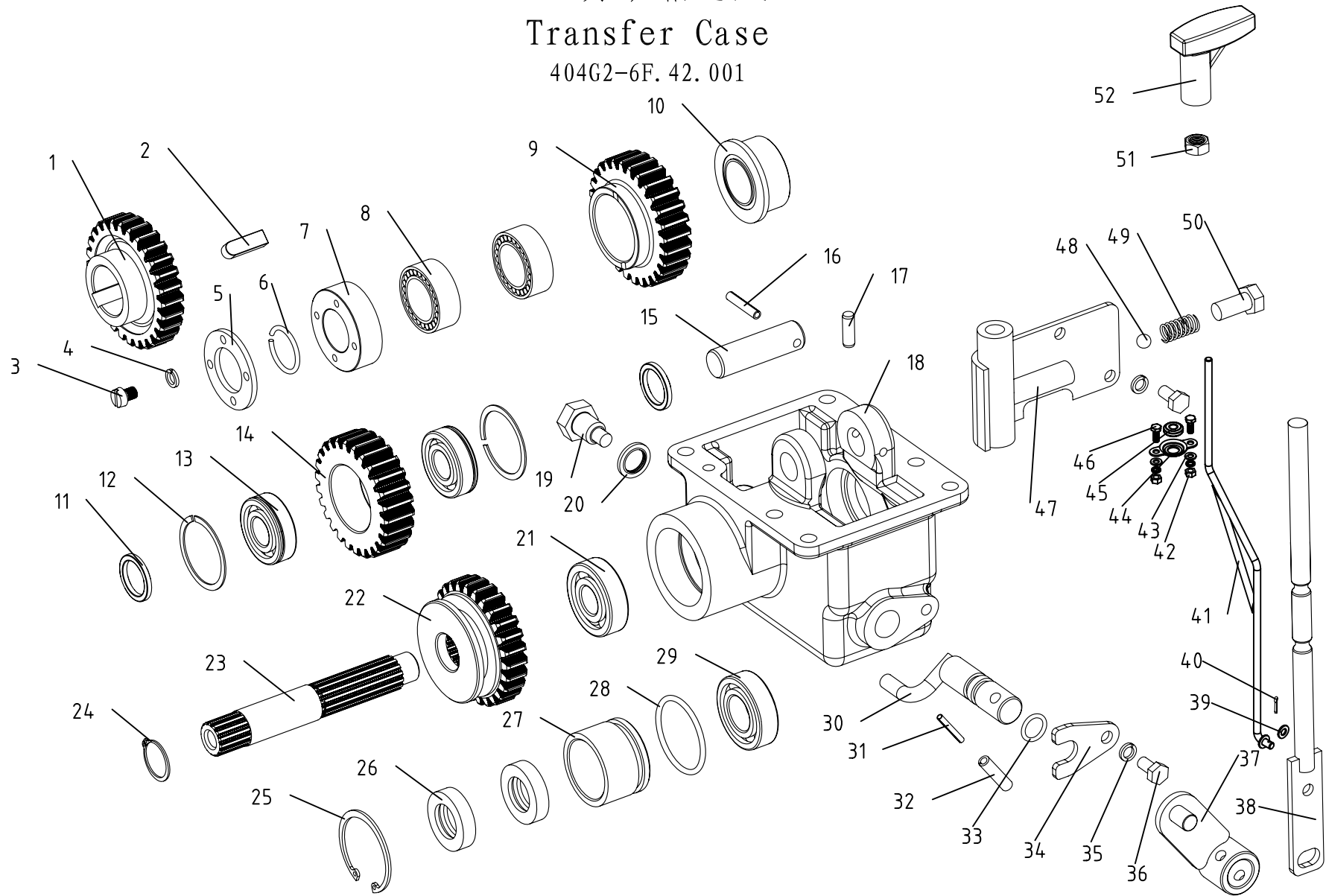
续表

Ser.No.	Part No.	名称及规格	Name & Specifications	Quantity	Remarks
49	350-1.41.024A-1	弯臂焊合件	Flex arm weldment	1	
50	GB/T879.1-2000-6×28	销 6×28	Slotted spring pin 6×28	1	
51	GB/T97.1-2002-12	垫圈 12	Plain washer 12	1	
52	GB/T91-2000-3.2×20	销 3.2×20	Split pin 3.2×20	2	
53	280.43.107	连接叉	Rod clevis	1	
54	GB/T882-1986-B12×35	销 B12×35	Clevis pin with head B12×35	1	
55	GB/T6170-2000-M10	螺母 M10	Hex. nut M10	1	
56	350-1.41.023	传动杆焊合件	Pull rod weldment	1	
57	GB/T97.1-2002-10	垫圈 10	Plain washer 10	1	

17 分动箱总成

Transfer Case

404G2-6F. 42. 001



17 分动箱总成 Transfer Case

Ser.No.	Part No.	名称及规格	Name & Specifications	Quantity	Remarks
1	304.42.101	中央传动分动齿轮	Power Transfer gear	1	
2	GB/T1096-2003-C10×32	键 C10×32	Flat key C10×32	1	
3	GB/T65-2000-M5×16	螺钉 M5×16	Cheese head screw M5×16	4	
4	GB/T93-1987-5	垫圈 5	Spring lock washer 5	4	
5	304.42.133-1	限位板	Locating plate	1	
6	GB/T895.1-1986-30	挡圈 30	Circlip for shaft 30	1	
7	304.42.104-1	前隔套	Front spacer	1	
8	GB5801-86-4524906	轴承 4524906	Needle bearing 4524906	2	
9	304.42.105	分动上过轮	Upper idler	1	
10	304.42.103	后隔套	Rear spacer	1	
11	304.42.116	隔圈	Spacer	2	
12	GB/T305-1998-52/57.9	止动环 52/57.9	Locating snap ring 52/57.9	2	
13	GB/T276-1994-6205N	轴承 6205N	Ball bearing with snap ring groove 6205	2	
14	304.42.117	分动下过轮	Lower idler	1	
15	304.42.118	小轴	Lower idler shaft	1	
16	GB/T879.2-2000-6×50	销 6×50	Slotted spring pin 6×50	1	
17	GB/T119.1-2000-A8×30	销 A8×30	Straight pin A8×30	2	
18	304.42.109-1	分动箱体	Transfer case housing	1	
19	JB-FT-CU-16	组合铜垫圈16	Combined seal washer16	1	
20	200.38.024	放油螺塞总成	Oil drain plug	1	
21	GB/T276-1994-6304	轴承 6304	Ball bearing 6304	1	
22	304.42.106-1	分动箱齿轮	Sliding gear	1	
23	304.42.107	分动箱轴	Transfer case shaft	1	
24	GB/T894.1-1986-24	挡圈 24	Circlip for shaft 24	1	
25	GB/T893.1-1986-55	挡圈 55	Circlip for hole 55	1	

17 分动箱总成 Transfer Case

续表

Ser.No.	Part No.	名称及规格	Name & Specifications	Quantity	Remarks
26	HG4-692-67-PG25×42×10	油封 PG25×42×10	Oil seal PG25×42×10	2	
27	304.42.108	油封座	Oil seal seat	1	
28	GB/T3452.1-1992-45×3.55	O形圈 45×3.55	O-ring seal 45×3.55	1	
29	GB/T276-1994-6205	轴承6205	Ball bearing 6205	1	
30	304.42.012-1	拨杆焊合件	Shift peg	1	
31	GB/T879.2-2000-5×32	销 5×32	Slotted spring pin 5×32	1	
32	GB/T879.2-2000-8×32	销 8×32	Slotted spring pin 8×32	1	
33	GB/T3452.1-1992-15×2.65	O形圈 15×2.65	O-ring seal 15×2.65	1	
34	304.42.111	定位板	Locating plate	1	
35	GB/T93-1987-8	垫圈 8	Spring lock washer 8	3	
36	GB/T5783-2000-M8×16	螺栓 M8×16	Hex. head bolt M8×16	3	
37	404G2-6.42.011	摇臂焊合件	Rocker arm	1	
38	404G2-6F.42.013-1	推杆焊合件	Push rod	1	
39	GB/T97.1-2002-10	垫圈 10	Washer 10	1	
40	GB/T91-2000-3.2×24	销 3.2×24	Split pin 3.2×24	1	
41	404G2-6F.42.012	前驱动操纵杆焊合件	Control lever,Front wheel drive	1	
	404G2-6F.42.012A	前驱动操纵杆焊合件	Control lever,Front wheel drive	1	for EC and AU
42	GB/T6170-2000-M8	螺母 M8	Nut M8	2	
43	GB/T97.1-2002-8	垫圈 8	Washer 8	2	
44	454.42.111	限位圈锁紧板	Locking plate	1	
45	454.42.110	限位圈	Limit circle	1	
46	GB/T5783-2000-M8×20	螺栓 M8×20	Hex. head bolt M8×20	2	
47	304G2-6.42.012	限位套焊合件	Stop collar	1	
48	GB/T308-2002-9.5	钢球9.5	Lock ball 9.5	1	

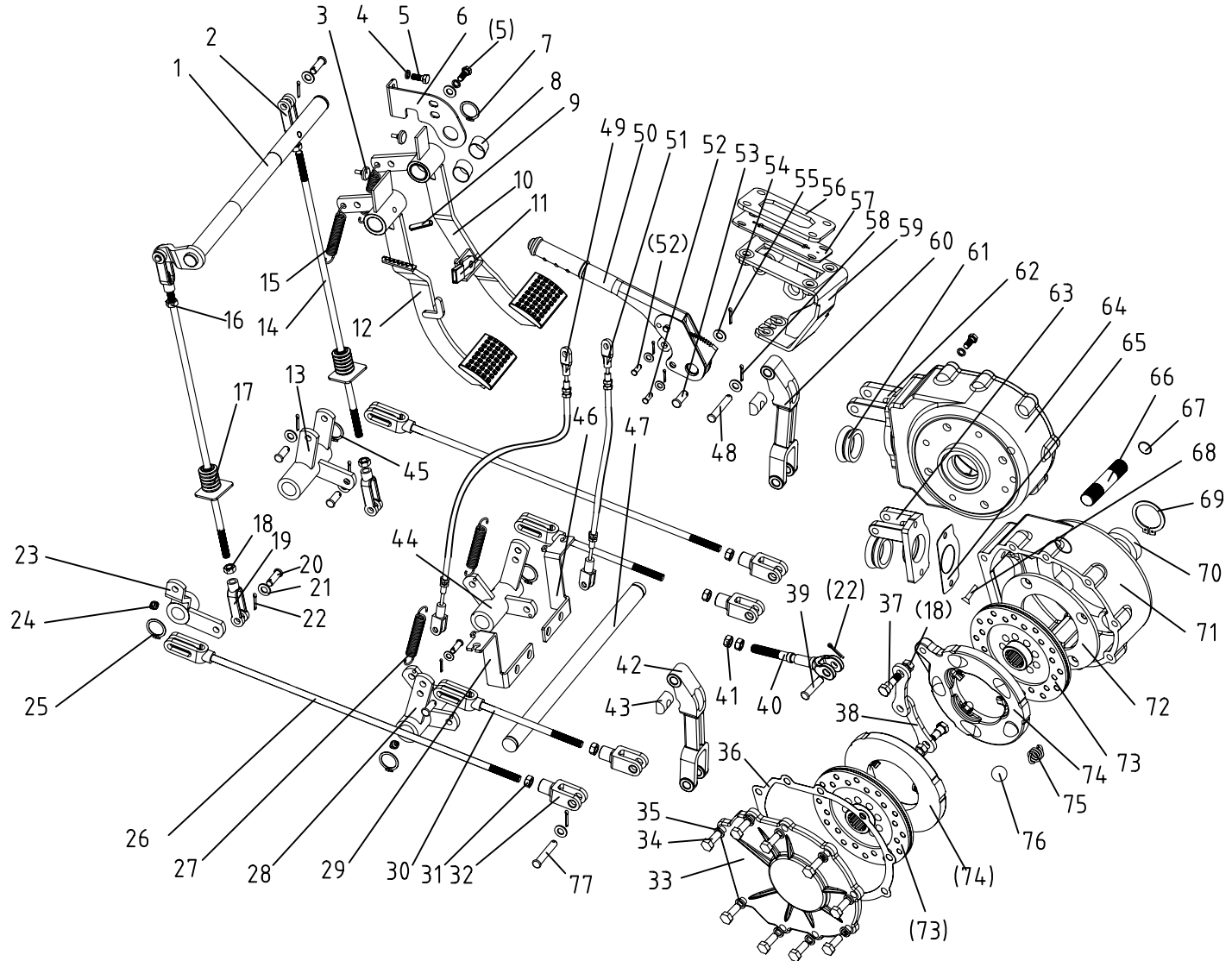
17 分动箱总成 Transfer Case

续表

Ser.No.	Part No.	名称及规格	Name & Specifications	Quantity	Remarks
49	200.37.127-1	拨叉定位弹簧	Compression spring	1	
50	GB/T5783-2000-M12×25	螺栓 M12×25	Hex. head bolt M12×25	1	
51	GB/T6171-2000-M10×1	螺母 M10×1	Hex. nut M10×1	1	
52	504G3.37.011	前驱动操纵手柄	Control handle	1	

18 制动器及操纵机构总成 Brake Operation Mechanism

404G2-6F.43.001



18 制动器及操纵机构总成 Brake Operation Mechanism

Ser.No.	Part No.	名称及规格	Name & Specifications	Quantity	Remarks
1	404G2-6F.43.018	制动传动轴焊合件	Brake transmission axis	1	
2	254G2.43.106	拉杆叉头	Draw rod fork	2	
3	504G3.43.101	缓冲垫	Rubber cushion	2	
4	GB/T93-1987-8	垫圈 8	Spring lock washer 8	4	
5	GB/T5783-2000-M8×20	螺栓 M8×20	Hex. head bolt M8×20	4	
6	504G3.43.104	支撑板	Support board	1	
7	GB/T894.1-1986-25	挡圈 25	Circlip for shaft 25	1	
8	504G3.43.135	衬套 (2520)	Bush(2520)	2	
9	GB/T879.4-2000-8×40	销 8×40	Spring split pin 8×40	1	
10	504G3.43.033	右制动踏杆焊合件	Right brake lever weldment	1	
11	GB/T13527.2-1992-DT-14×0.6	DT-14×0.6	DT-14×0.6	1	L=23
12	404G2-6F.43.032	左制动踏杆焊合件	Left brake lever weldment	1	
13	404G2-6F.43.012	右制动套管焊合件	Left cannula weldment	1	
14	404G2-6F.43.126	制动前拉杆	Front pull rod	2	
15	504G3.43.103-1	回位弹簧	Return spring	2	
16	GB/T6171-2000-M10×1-L	螺母 M10×1 (左)	Hex. nut M10×1-L	2	
17	504G3.43.110	橡胶套	Rubber sheath	2	
18	GB/T6171-2000-M10×1	螺母 M10×1	Hex. nut M10×1	4	
19	300.21A.148	拉杆叉头	Draw rod fork	2	
20	GB/T882-1986-B10×30	销轴 B10×30	Clevis pin with head B10×30	10	
21	GB/T97.1-2002-10	垫圈 10	Chamfered plain washer 10	12	
22	GB/T91-2000-3.2×20	销 3.2×20	Split pin 3.2×20	14	
23	404G2-6F.43.011	左制动套管焊合件	Right cannula weldment	1	
24	JB/T7940.1-1995- M10×1	油杯 M10×1	Angle grease nipple M10×1	4	
25	GB/T894.1-1986-22	挡圈 22	Circlip for shaft 22	1	

18 制动器及操纵机构总成 Brake Operation Mechanism

续表

Ser.No.	Part No.	名称及规格	Name & Specifications	Quantity	Remarks
26	404G2-6F.43.019	制动后拉杆焊合件	Rear brake pull link weldment	1	
27	254G3.38.118	回位弹簧	Hand brake return spring	2	
28	404G2-6F.43.013	手制动左套管焊合件	Left hand brake cannula weldment	1	
29	404G2-6F.43.016	手制动左拉线安装板焊合件	Left hand brake stay wire mounting panel	1	
30	404G2-6F.43.020	手制动拉杆焊合件	Hand brake pull link weldment	2	
31	GB/T 6170-2000-M10	螺母 M10	Hex. nut M10	4	
32	280.43.107	连接叉	Rod clevis	4	
33	300.43.151	制动器盖	Brake cap	2	
34	GB/T5783-2000-M10×25	螺栓 M10×25	Hex. head bolt M10×25	26	
35	GB/T93-1987-10	垫圈 10	Spring lock washer 10	26	
36	300.43.153	纸垫	Brake gasket	2	
37	450.43.113	螺栓	Hex. head bolt	4	
38	450.43.114	拉板	Draw plate	4	
39	GB/T882-1986-B10×32	销轴 B10×32	Clevis pin with head B10×32	2	
40	300.43.161	调节杆	Adjusting rod	2	
41	GB /T6170-2000-M12	螺母 M12	Hex. nut M12	12	
42	404G2-6F.43.108	左制动摇臂	Left brake rocker arm	1	
43	280.43.105	自位垫块	Self-aligning block	2	
44	404G2-6F.43.014	手制动右套管焊合件	Right hand brake cannula weldment	1	
45	GB/T894.1-1986-24	挡圈 24	Circlip for shaft 24	3	
46	404G2-6F.43.015	手制动右拉线安装板焊合件	Right hand brake stay wire mounting panel	1	
47	404G2-6F.43.101	制动后传动轴	Rear brake transmission axis	1	
48	GB/T882-1986-B12×70	销轴 B12×70	Clevis pin with head B12×70	2	
49	404G2-6F.43.022	左制动拉线组合件	Left hand brake stay wire	1	

18 制动器及操纵机构总成 Brake Operation Mechanism

续表

Ser.No.	Part No.	名称及规格	Name & Specifications	Quantity	Remarks
50	300-6.43.015	手制动组合件	Hand brake	1	Optional
	504G3-3.43.025	手制动操纵合件	Hand brake	1	for EC and AU
51	404G2-6F.43.021	右制动拉线组合件	Right hand brake stay wire	1	
52	GB/T882-1986-B10×40	销轴 B10×40	Clevis pin with head B10×40	2	
53	GB/T882-1986-B16×40	销轴 B16×40	Clevis pin with head B16×40	1	
54	GB/T97.1-2002-16	垫圈 16	Chamfered plain washer 16	1	
55	GB/T91-2000-4×25	销 4×25	Split pin4×25	1	
56	504G3-3.51.110	制动操纵压板	Brake control device keep plate	1	Optional
57	504G3-3.51.111	密封垫 (五)	Rubber blanket	1	Optional
58	GB/T91-2000-3.2×28	销 3.2×28	Split pin 3.2×28	2	
59	404G2-6F.43.025	手制动手柄安装座	Hand brake fix board	1	Optional
60	404G2-6F.43.109	右制动摇臂	Right brake rocker arm	1	
61	280.43.118-1	密封套	Seal cartridge	2	
62	280.43.110	右摇臂支座	Right rocker arm pedestal	1	
63	280.43.104	左摇臂支座	Left rocker arm pedestal	1	
64	300.43.163-1	右制动器壳体	Right brake housing	1	
65	280.43.103	纸垫	Paper gasket	2	
66	GB/T898-1988-AGM12-M12×35	螺柱 AGM12-M12×35	Double end stud AGM12-M12×35	8	
67	GB/T3452.1-1992-10.6×2.65	O形圈 10.6×2.65	O Type ring10.6×2.65	8	
68	GB/T819.2-1997-M8×25	十字槽沉头螺钉 M8×25	Cross deep bolt M8×25	8	
69	GB/T894.1-1986-35	挡圈 35	Circlip for shaft 35	2	
70	HG4-692-67-SG32×52×12	油封 SG32×52×12	Oil seal SG 32×52×12	2	
71	300.43.152-1	左制动器壳体	Left brake housing	1	
72	300.43.154-1	制动片	Brake piece	2	

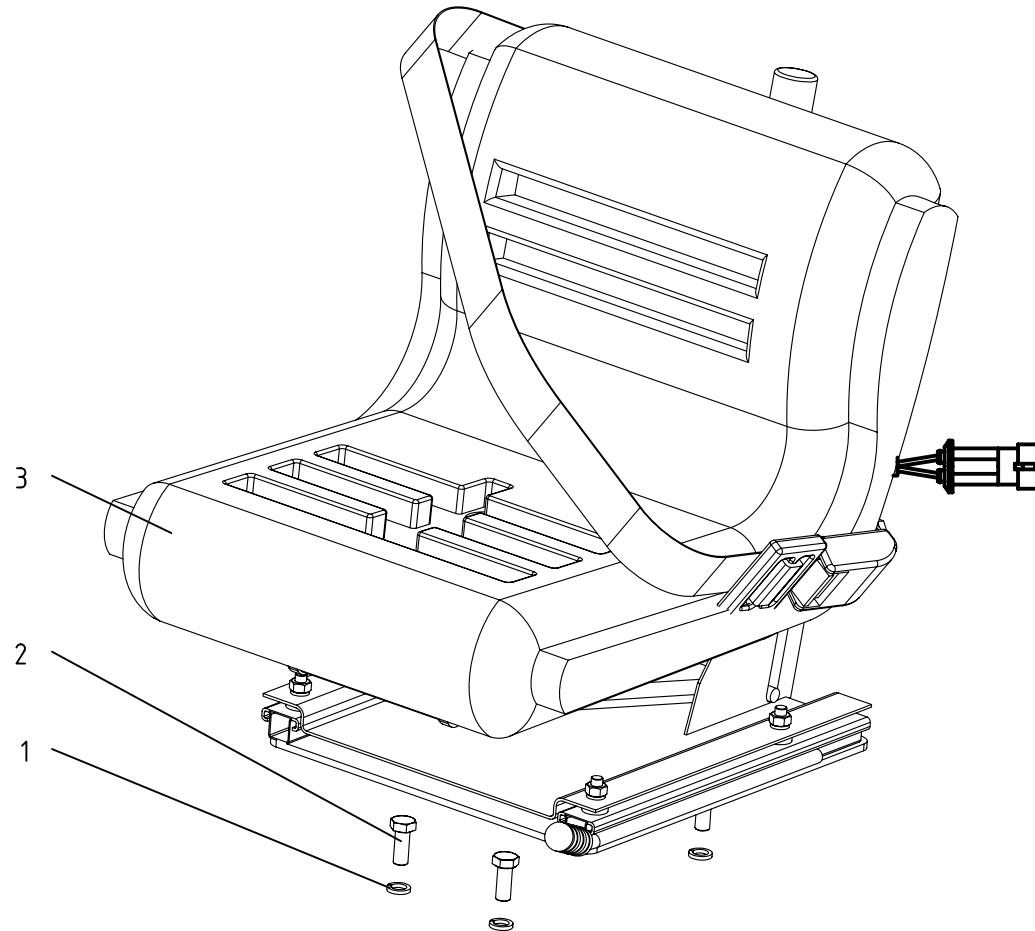
18 制动器及操纵机构总成 Brake Operation Mechanism

续表

Ser.No.	Part No.	名称及规格	Name & Specifications	Quantity	Remarks
73	404G2AU.43.024	从动盘总成	Brake driven disk	4	for EC and AU
	300.43.024	从动盘总成	Brake driven disk	4	
74	300.43.160	压盘	Brake pressure plate	4	
75	450.43.112	内回位弹簧	Return spring	6	
76	GB/T308-1989-7/8"	钢球 7/8"	Steel ball 7/8"	10	
77	GB/T882-1986-B12×75	销轴 B12×75	Clevis pin with head B12×75	2	

19 座椅总成 Seat

504G-E. 44. 001

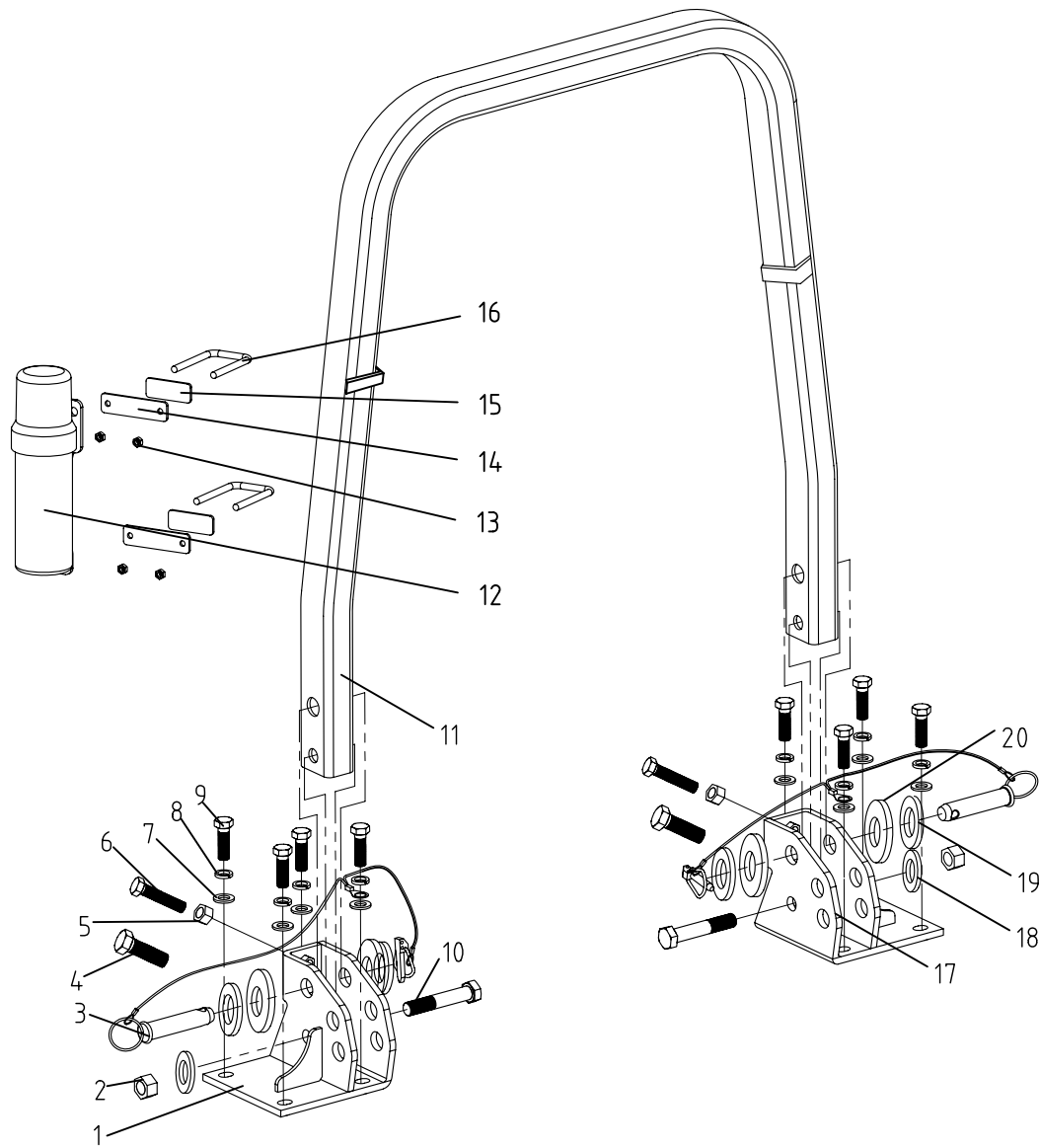


19 座椅总成 Seat

Ser.No.	Part No.	名称及规格	Name & Specifications	Quantity	Remarks
1	GB/T93-1987-8	垫圈 8	Spring lock washer 8	4	
2	GB/T5783-2000-M8×20	螺栓 M8×20	Bolt M8×20	4	
3	DS44/1HB	座椅	Seat	1	
	XL-SEAT-003	座椅	Seat	1	Optional
	YHG6-S23	座椅	Seat	1	Optional

20.1 安全架总成 Safety Frame

404G2-6F.46.001-1

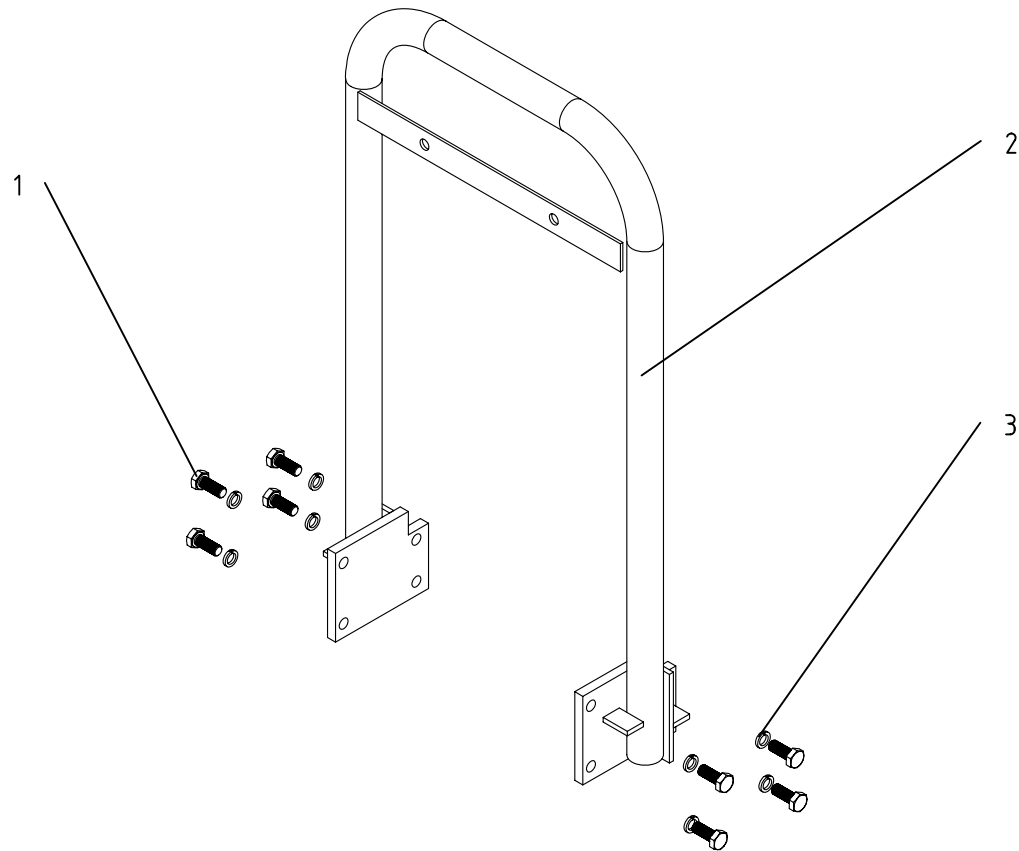


20.1 安全架总成 Safety Frame

Ser.No.	Part No.	名称及规格	Name & Specifications	Quantity	Remarks
1	304-9A.46.011	左安全架座焊合件	Left bracket,Safety frame	1	
2	GB/T 889.2-2000-M20×1.5	螺母 M20×1.5	Hex. nut M20×1.5	2	
3	304-9A.46.014	锁销合件	Lock pin	2	
4	GB/T5783-2000-M12×45	螺栓 M12×45	Hex. head bolt M12×45	2	
5	GB/T 6170-2000-M12	螺母 M12	Hex. nut M12	2	
6	GB/T5783-2000-M12×65	螺栓 M12×65	Hex. head bolt M12×65	2	
7	GB/T 97.1-2002-16	垫圈 16	Plain washer 16	8	
8	GB/T 93-1987-16	垫圈 16	Spring lock washer 16	8	
9	GB/T5783-2000-M16×45	螺栓 M16×45	Hex. head bolt M16×45	8	
10	GB/T5785-2000-M20×1.5×110	螺栓 M20×1.5×110	Hex. head bolt M20×1.5×110	2	
11	404G2-6F.46.011	安全架焊合件	Safety Frame	1	
12	254-5.49.103	手册资料筒	Manual holder	1	
13	GB/T 6170-2000-M8	螺母 M8	Hex. nut M8	4	
14	254G3.46.103	抱箍固定板	Fixed plate	2	
15	254G3.46.104	橡胶固定板	Shim plate	2	
16	304-9A.46.161	U形螺栓	U-bolt	2	
17	304-9A.46.012	右安全架座焊合件	Right bracket,Safety frame	1	
18	GB/T 97.1-2002-20	垫圈 20	Plain washer 20	2	
19	GB/T 97.1-2002-27	垫圈 27	Plain washer 27	4	
20	504G3.46.115	橡胶垫圈	Rubber washer	4	

20.2 前安全架总成 Front Safety Frame

304G2-E. 46. 001



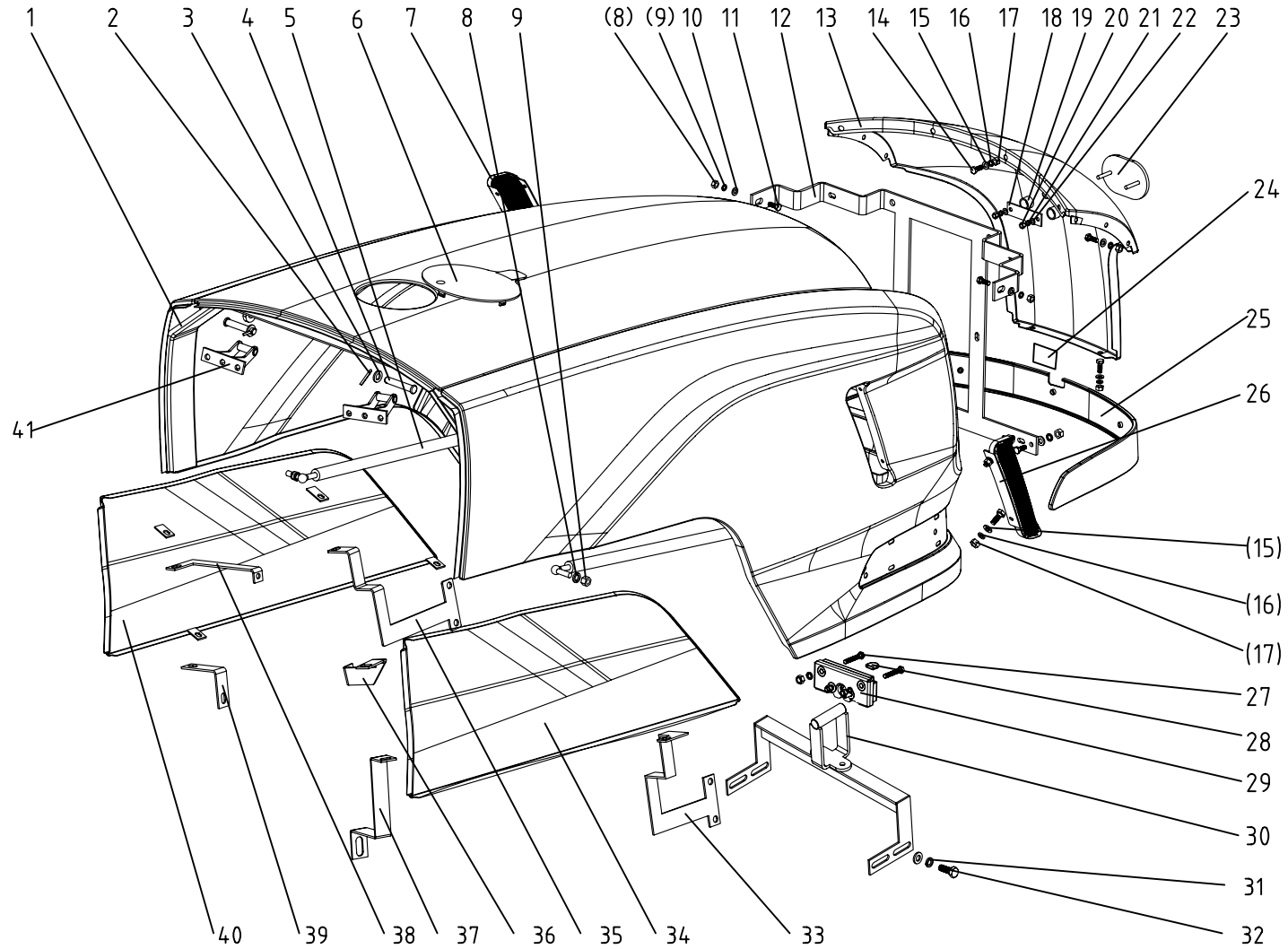
20.2 前安全架总成 Front Safety Frame

Ser.No.	Part No.	名称及规格	Name & Specifications	Quantity	Remarks
1	GB/T5783-2000-M10×25	螺栓 M10×25	Hex. head bolt M10×25	8	
2	304G2-6E.46.021	前安全架焊合件	Front safety frame	1	
3	GB/T93-1987-10	垫圈 10	Spring lock washer 10	8	

21.1 机罩仪表罩总成 (A)

Hood and Panel (A)

404G2-E. 47. 001



21.1 机罩仪表罩总成 (A) Hood and Panel (A)

Ser.No.	Part No.	名称及规格	Name & Specifications	Quantity	Remarks
1	404G2-6F.47.011-1	机罩焊合件	Engine Hood	1	
2	GB/T91-2000-3.2×30	销 3.2×30	Split pin 3.2×30	2	
3	GB/T97.1-2002-10	垫圈 10	Plain washer 10	6	
4	GB/T882-1986-B10×60	销轴 B10×60	Clevis pin with head B10×60	2	
5	695×293×320-BB-832678	压缩气弹簧832678	Gas spring	2	
6	504G3-E.47.105	油箱盖	Fuel tank cap	1	
7	404-11.47.105	左侧风窗	Left radiator grill	1	
8	GB/T93-1987-8	垫圈 8	Spring lock washer 8	4	
9	GB/T6170-2000-M8	螺母 M8	Hex. Nut M8	4	
10	GB/T97.1-2002-8	垫圈 8	Plain washer 8	2	
11	GB/T5783-2000-M8×20	螺栓 M8×20	Hex. head bolt M8×20	2	
12	404-11.47.017	灯架焊合件	Bracket	1	
13	404-11.47.103	前风窗	Front cover	1	
14	GB/T5783-2000-M6×16	螺栓 M6×16	Hex. head bolt M6×16	19	
15	GB/T97.1-2002-6	垫圈 6	Plain washer 6	19	
16	GB/T93-1987-6	垫圈 6	Spring lock washer 6	23	
17	GB/T6170-2000-M6	螺母 M6	Hex. Nut M6	26	
18	300.47.113	标牌安装板	Brand mark plate carrier	1	
19	GB/T6170-2000-M5	螺母 M5	Hex. Nut M5	2	
20	GB/T93-1987-5	垫圈 5	Spring lock washer 5	2	
21	GB/T97.1-2002-5	垫圈 5	Plain washer 5	2	
22	404-11.47.107	DF标牌	DF brand	1	
23	404-11.47.109	左右装饰带	Decorative strip	1	
24	404-11.47.117	机罩开启指示	Hood opening instruction	1	
25	404-11.47.104	下风窗	Front garnish	1	

21.1 机罩仪表罩总成 (A) Hood and Panel (A)

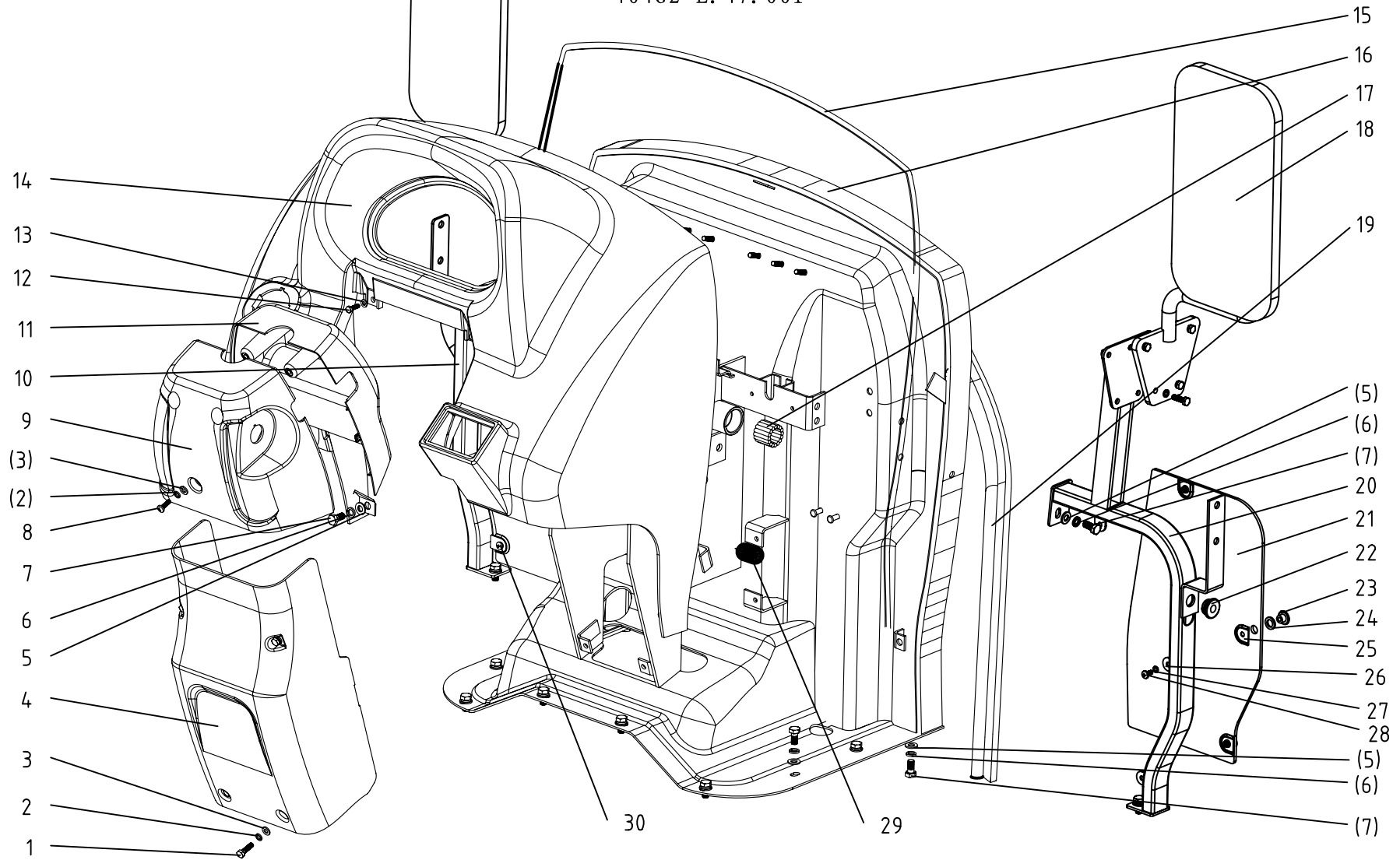
续表

Ser.No.	Part No.	名称及规格	Name & Specifications	Quantity	Remarks
26	404-11.47.106	右侧风窗	Right radiator grill	1	
27	GB/T5783-2000-M6×35	螺栓 M6×35	Hex. head bolt M6×35	4	
28	550.47E.105-1	机罩锁套	Rubber sheath	1	
29	550.47E.026	机罩锁组合件	Hood lock	1	
30	404G2-6F.47.015-1	锁销焊合件	Lockpin	1	
31	GB/T93-1987-10	垫圈 10	Spring lock washer 10	4	
32	GB/T5783-2000-M10×25	螺栓 M10×25	Hex. head bolt M10×25	4	
33	404G2-E.47.141-1	右前下支架	Front down right setting board	1	
34	404G2-E.47.041	右下侧板焊合件	Right Hood	1	
35	404G2-E.47.131-1	左前下支架	Front down left setting board	1	
36	400-6.47.105	右上安装板	Top right setting board	1	
37	300-6.47.103	右下安装板	Down right setting board	1	
38	304-6E.47.103	左上安装板	Top left setting board	1	
39	404G2-E.47.142	右后上支架	Rear top right setting board	1	
40	404G2-E.47.031	左下侧板焊合件	Left Hood	1	
41	404G2-6F.47.014	机罩铰链焊合件	Hood hinge	2	

21.2 机罩仪表罩总成 (B)

Hood and Panel (B)

404G2-E. 47. 001



21.2 机罩仪表罩总成 (B) Hood and Panel (B)

Ser.No.	Part No.	名称及规格	Name & Specifications	Quantity	Remarks
1	GB/T5783-2000-M6×20	螺栓 M6×20	Hex. head bolt M6×20	12	
2	GB/T93-1987-6	垫圈 6	Spring lock washer 6	16	
3	GB/T97.1-2002-6	垫圈 6	Plain washer 6	16	
4	504G3.47.103	方向器底座罩壳	Redirector pedestal mantle	1	
5	GB/T97.1-2002-8	垫圈 8	Plain washer 8	12	
6	GB/T93-1987-8	垫圈 8	Spring lock washer 8	12	
7	GB/T5783-2000-M8×16	螺栓 M8×16	Hex. head bolt M8×16	12	
8	GB/T818-2000-M6×16	螺钉 M6×16	Philips pan head screw M6×16	5	
9	504G3.47.102	方向器后罩壳	Redirector back mantle	1	
10	404G2-6F.47.016	左框架焊合件	Left frame clsss weldment	1	
11	504G3.47.014	方向器前罩壳组合件	Redirector forward mantle	1	
12	GB/T5783-2000-M10x25	螺栓 M10x25	Hex. head bolt M10x25	4	
13	GB/T97.1-2002-5	垫圈 5	Plain washer 5	2	
14	404G3.47.101	仪表罩	Engine Hood	1	
15	YC0542020445	仪表台密封条	Dashboard rubber ring	1	L=1700
16	404G2-E.47.021	仪表罩框架焊合件	Hood frame clsss weldment	1	
17	GB/T5846-1989-K25×31×25	滚针轴承 K25×31×25	Needle bearing K25×31×25	2	
18	A3-1	后视镜(EC)	Rearview mirror	2	
19	800.47.101	密封胶条	Rubber ring	1	L=1340
20	404G2-6F.47.018	右框架焊合件	Right frame clsss weldment	1	
21	404G3.47.161	挡风玻璃	Windshield	2	
22	504G3.51.102	橡胶套	Rubber sheath	2	
23	504G3.47.225	玻璃固定用螺母M5	Hex. Nut M5	6	
24	504G3.47.226	玻璃固定用橡胶垫5	Rubber washer 5	6	
25	504G3.47.227	玻璃固定用塑料垫5	Plastic washer 5	6	

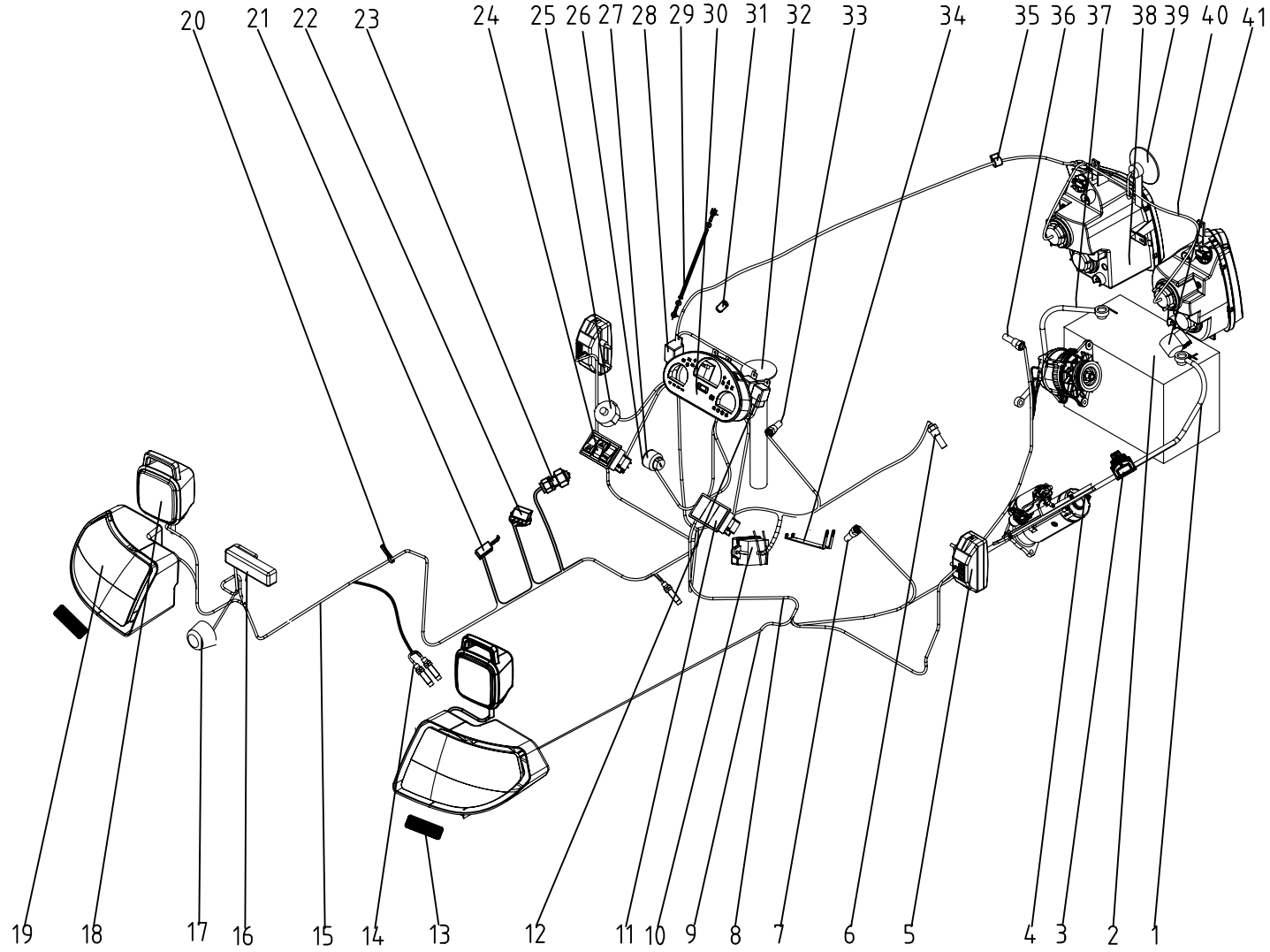
21.2 机罩仪表罩总成 (B) Hood and Panel (B)

续表

Ser.No.	Part No.	名称及规格	Name & Specifications	Quantity	Remarks
26	GB/T96.2-1985-6	垫圈6	Plastic washer 6	12	
27	GB/T93-1987-5	垫圈 5	Spring lock washer 5	6	
28	GB/T818-2000-M5×8	螺钉 M5×8	Philips pan head screw M5×8	6	
29	504G3.47.108	线束橡胶套	wiring harness rubber cover	1	
30	GB/T818-2000-M8×12	螺钉M8×12	Philips pan head screw M8×12	2	
31	404G2-6F.47.015-1	锁销焊合件	Lockpin	1	
32	GB/T93-1987-10	垫圈 10	Spring lock washer 10	4	
33	GB/T5783-2000-M10×25	螺栓 M10×25	Hex. head bolt M10×25	4	
34	404G2-E.47.041	右下侧板焊合件	Right Hood	1	
35	404G2-E.47.031	左下侧板焊合件	Left Hood	1	

22 电气系统总成 Electrical System

404G2-E. 48. 001-1



22 电气系统总成 Electrical System

Ser.No.	Part No.	名称及规格	Name & Specifications	Quantity	Remarks
1	304G2-6E.48.016	蓄电池正极-总电源开关连接电缆总	Elastic cable paper	1	
2	6-QW-80L	免维护蓄电池	Battery	1	
3	254G3.48.019	总电源开关 (DHKG904)	General supply switch	1	
4	304G2-6E.48.015	起动-电源总开关连接电缆线	Elastic cable paper	1	
5	504G3.48.021	S116转向灯	Steering lamp	2	
6	504G3.48.104	油压传感器	Oil pressure sensor	1	
7	504G3.48.103	转速传感器 (M18×1.5)	rotation speed senser (M18×1.5)	1	
8	404G2-E.48.012-1	主线束	Main wiring harness	1	
9	404G2-6F.48.014-1	右挡泥板线束	Right fender wiring harness	1	
10	504G3.48.020	保险丝盒	Fuse box wiring harness	1	
11	504G3.48.027	三联板开关盖板 (JK938A)	Caution light swich cover plate	1	
12	1912型	起动继电器 (12V 40A)	Starting relay	6	
13	300-6.48.023-1	回复反射器	Reflector	2	
14	504G3.48A.104	PNP接近传感器	approach switch	2	
15	404G2-6F.48.015-1	左挡泥板线束	Left fender wiring harness	1	
16	300-6.48.019-1	牌照灯	Rear registration plate lamp	1	
17	JB3762-84	拖车插座	Tow truck jack	1	
18	804-6.48.024	后工作灯	Tail lamp	1	
19	404-11.48.022/023	左/右后尾灯	Combination rear signal lamp	2	
20	AG-057	线卡	Wire clip	1	
21	HY-SG102A	电子闪光器	Flasher	1	
22	FT111	电子调节器	Voltage ragulater	1	
23	JB1041	起动安全开关	Security switch	2	
24	504G3.48.026	三联板开关 (JK938A)	Caution light swich	1	
25	304G2-6.48.103	组合开关	Multi-function switch	1	

22 电气系统总成 Electrical System

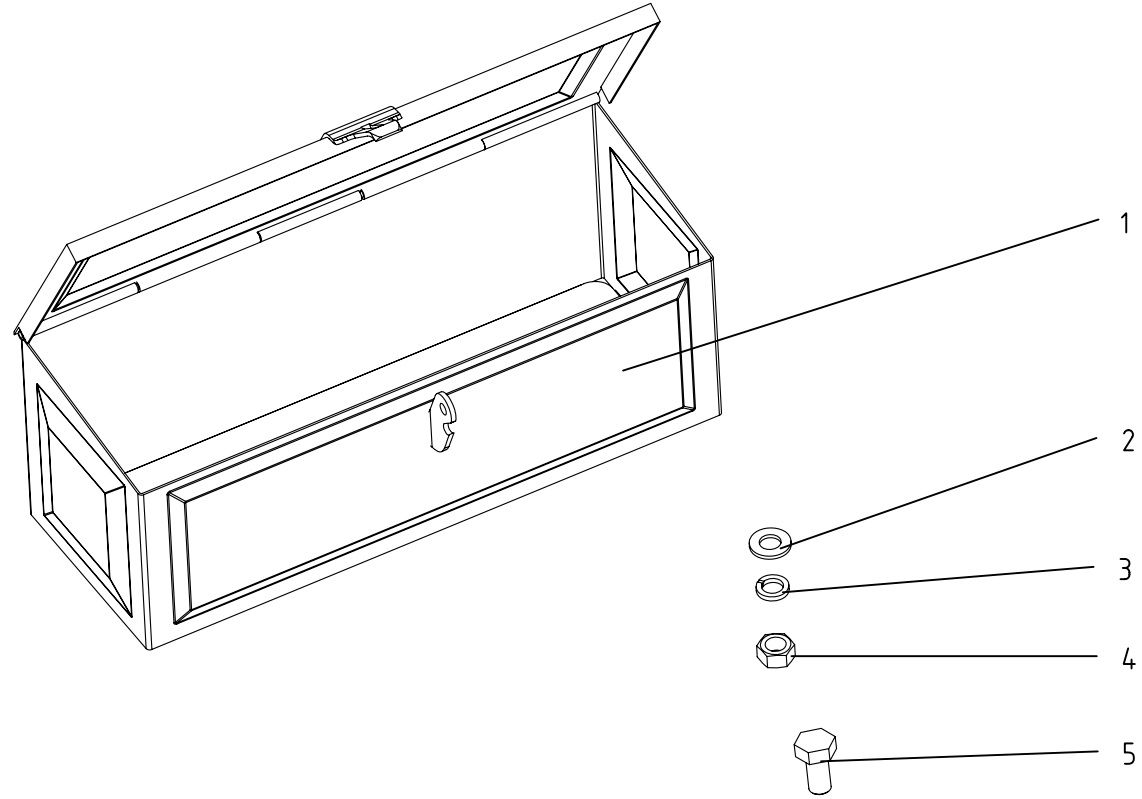
续表

Ser.No.	Part No.	名称及规格	Name & Specifications	Quantity	Remarks
26	504G3.48.022	预热起动开关	Pre-heating starting switch	1	
27	504G3.48.105-1	起动开关标牌	Starting scutcheon	1	
28		主继电器	Main relay	1	线束带
29	504G3.48.014	预热器接地线	Preheater ground lead	1	
30	504G3-E.48A.021	组合仪表 (EC)	Combination meter	1	
31	250D.48.101	电缆接头护套	Cable splice jacket	1	
32	404G2-6F.48.102	油量传感器	Oil level sensor	1	
33	JK231B	制动灯开关	Brakelight switch	1	
34	404G2-E.48.101	延时继电器安装板	Relay installation	1	
35	200.48B.108	线夹	Wire clip	3	
36	504G3.48.102	水温传感器	Water temperature sensor	1	
37	304G2-6E.48.017	蓄电池负极搭铁电缆	Battery cable	1	
38	404-11.48.020/021	左/右前大灯	Head lamp	2	
39	DL-124D	电喇叭	Electrucity horn	1	
40	504G3.48A.011	前线束	Front wiring harness	1	
41	CX-2型	免维护蓄电池电缆线护套	Jacket	2	

23 工具箱总成

Toolbox

450.49.001



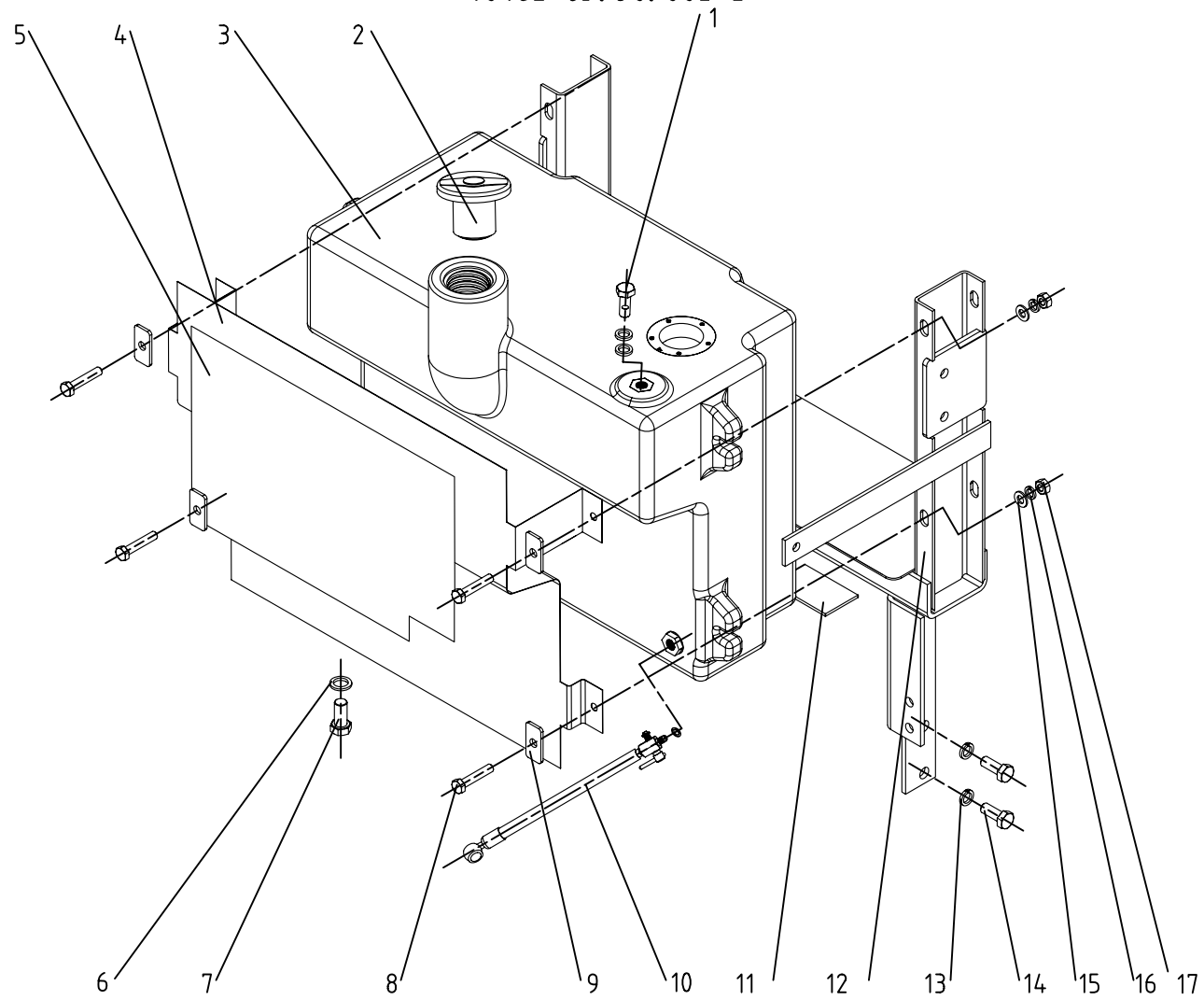
23 工具箱总成 Toolbox

Ser.No.	Part No.	名称及规格	Name & Specifications	Quantity	Remarks
1	450.49.001	工具箱	Toolbox	1	
2	GB/T97.1-2002-8	垫圈 8	Plain washer 8	2	
3	GB/T93-1987-8	垫圈 8	Spring lock washer 8	2	
4	GB/T6170-2000-M8	螺母 M8	Hex. nut M8	2	
5	GB/T5783-2000-M8×16	螺栓 M8×16	Hex. head bolt M8×16	2	

24 燃油箱总成

Fuel Tank

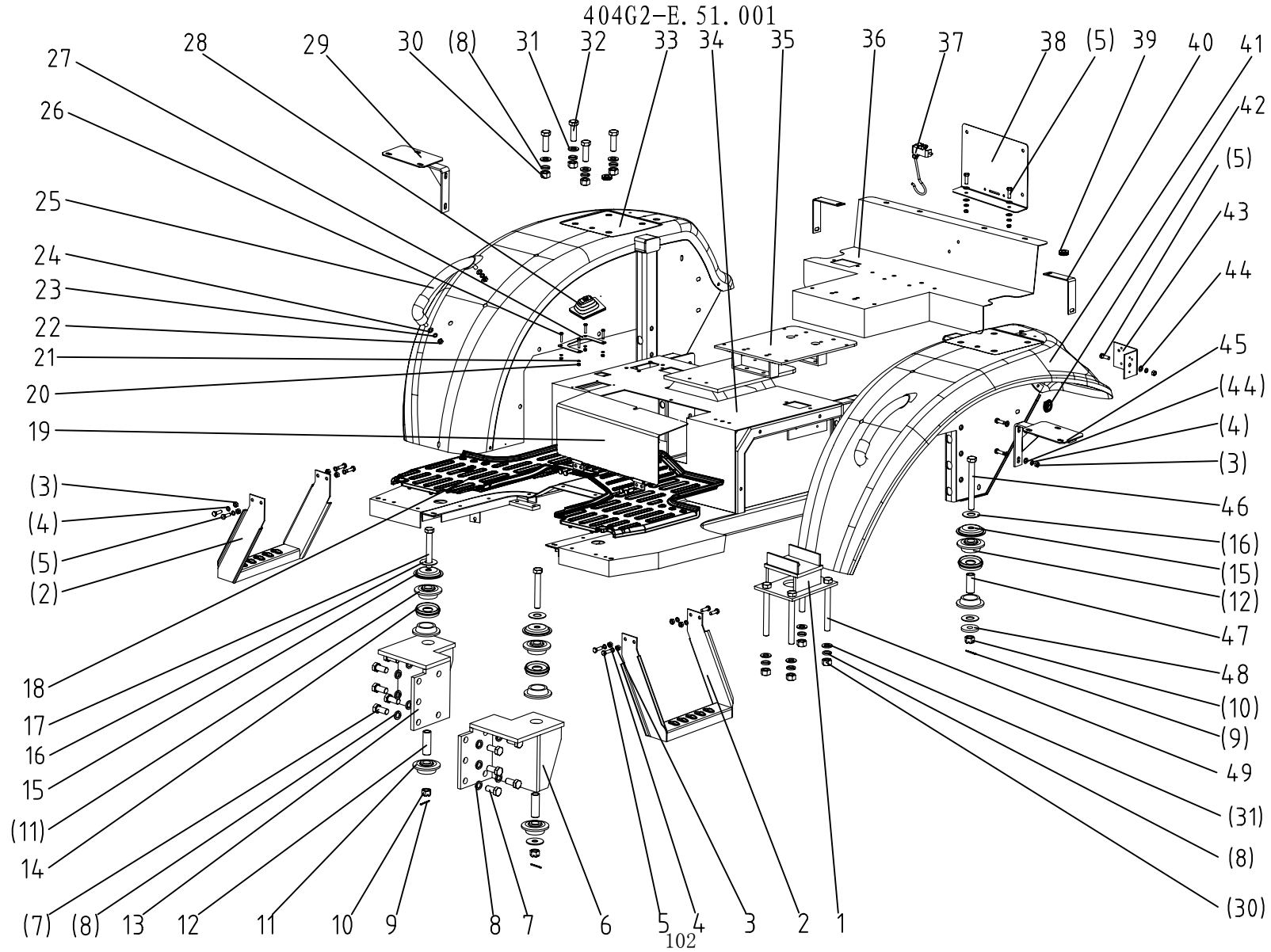
404G2-6F. 50. 001-1



24 燃油箱总成 Fuel tank

Ser.No.	Part No.	名称及规格	Name & Specifications	Quantity	Remarks
1	JB/T6013-2000-M12×1.25	铰接螺栓 M12×1.25	Hollow bolt M12×1.25	1	
2	DF-4268	油箱盖	Fuel tank cap	1	
3	404G2-6F.50.011-1	燃油箱合件	Fuel tank	1	
4	404G2-6F.50.101-1	油箱挡板	Adiabatic board	1	
5	404G2-6F.50.102-1	隔热毡	Heat insulation felt	1	
6	JB-FT-CU-12	组合铜垫圈 12	Combination washer 12	4	
7	GB/T5786-2000-M12×1.25×16	螺栓 M12×1.25×16	Hex.head bolt M12×1.25×16	1	
8	GB/T5783-2000-M8×40	螺栓 M8×40	Hex.head bolt M8×40	4	
9	304G2-6.50.101	油箱垫圈	Fuel tank washer	4	
10	200.50.015	燃油滤清管路总成	Fuel pipe laying	1	国三, 10A-400
	300.50.015B	燃油滤清管路总成	Fuel pipe laying	1	出口
11	304G2-6.50.102	橡胶垫	Rubber pad	2	
12	404G2-6F.50.014-3	油箱支架焊合件	Fuel tank bracket	1	
13	GB/T93-1987-10	垫圈 10	Spring lock washer 10	4	
14	GB/T5783-2000-M10×25	螺栓 M10×25	Hex.head bolt M10×25	4	
15	GB/T97.1-2002-8	垫圈 8	Plain washer 8	4	
16	GB/T93-1987-8	垫圈 8	Spring lock washer 8	4	
17	GB/T6170-2000-M8	螺母 M8	Hex.nut M8	4	

25 地板挡泥板总成 Foot Mud Shields Rest



25 地板挡泥板总成 Foot Mud Shields Rest

Ser.No.	Part No.	名称及规格	Name & Specifications	Quantity	Remarks
1	404G2-6D.51.011	后支撑架焊合件	Rear bracket	2	
2	504G3.51.011-1	踏梯焊合件	Ladder frame	2	
3	GB/T6170-2000-M8	螺母 M8	Hex. nut M8	18	
4	GB/T93-1987-8	垫圈 8	Spring lock washer 8	26	
5	GB/T5783-2000-M8×25	螺栓 M8×25	Hex. head bolt M8×25	26	
6	404G2-6F.51.035	左前支撑架焊合件	Left-front backstop	1	
7	GB/T5783-2000-M16×35	螺栓 M16×35	Hex. head bolt M16×35	10	
8	GB/T93-1987-16	垫圈 16	Spring lock washer 16	30	
9	GB/T91-2000-3.2×32	销 3.2×32	Split pin 3.2×32	4	
10	GB/T6181-1986-M16	螺母 M16	Hex. nut M16	4	
11	504G3.51.124	减震圈	Rubber damping ring	10	
12	404G2-6F.51.411	前护套	Front damping block sleeve	2	
13	404G2-6F.51.036	右前支撑架焊合件	Right-front backstop	1	
14	504G3-E.45.026	限位套焊合件	Limiting stopper	4	
15	504G3.51.123	护罩	Damping protecting cover	4	
16	504G3.51.127	橡胶垫	Rubber pad	6	
17	GB/T31.1-1988-M16×110	螺栓 M16×110	Hex. head bolt M16×110	2	
18	404G2-6D.51.101	前地板橡胶垫	Rubber floor	1	
19	404G2-6D.51.013	盖板合件	Cover plate combination	1	
20	GB/T6170-2000-M5	螺母 M5	Hex. nut M5	4	
21	GB/T93-1987-5	垫圈 5	Spring lock washer 5	4	
22	GB/T6170-2000-M10	螺母 M10	Hex. nut M10	4	
23	GB/T93-1987-10	垫圈 10	Spring lock washer 10	12	
24	GB/T97.1-2002-10	垫圈 10	Plain washer 10	4	
25	404-11.51.104	扶手	Handle hold	2	

25 地板挡泥板总成 Foot Mud Shields Rest

续表

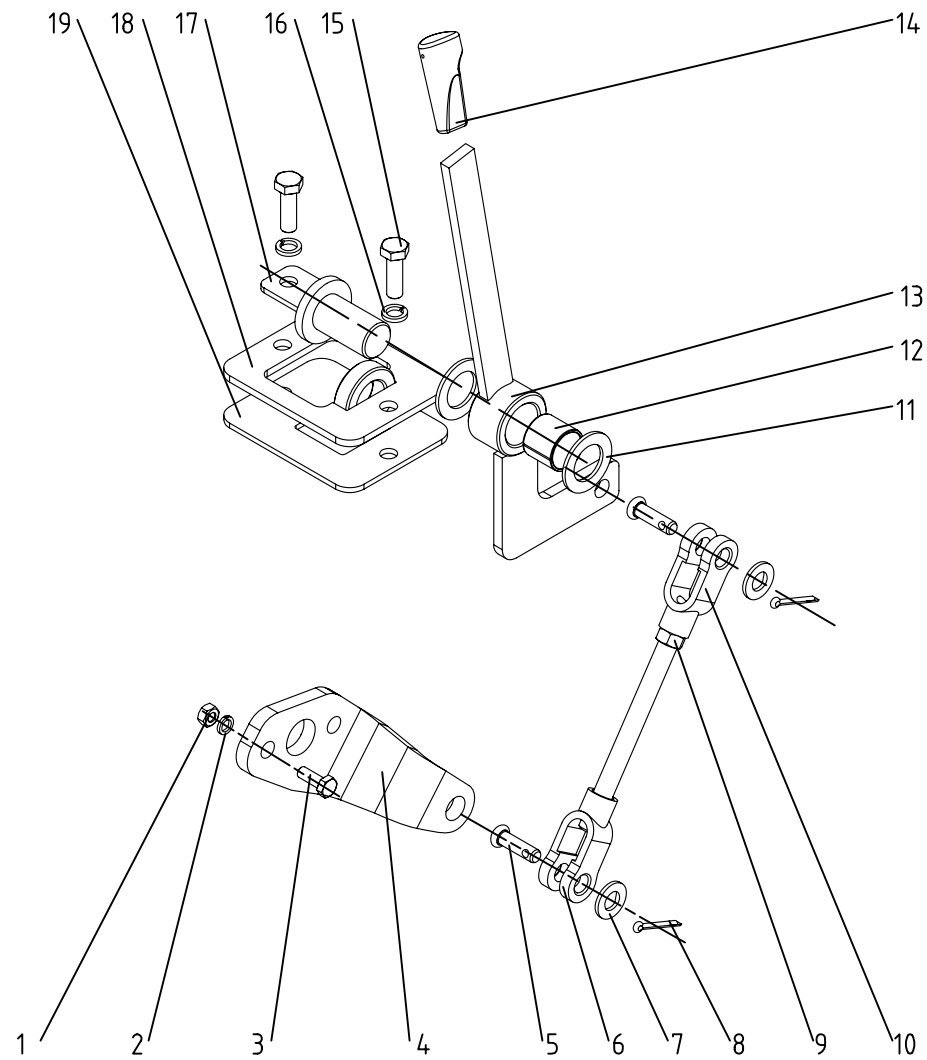
Ser.No.	Part No.	名称及规格	Name & Specifications	Quantity	Remarks
26	GB/T67-2000-5×25	螺钉 M5×25	Screw M5×25	4	
27	254G3.51.122	变速杆挡板	Selector board	1	
28	254G3.51.114	防尘套	Rubber sheath	1	
29	404-11.51.026	右尾灯安装架焊合件	Right taillight bracket rest	1	
30	GB/T6170-2000-M16	螺母 M16	Hex. nut M16	20	
31	GB/T97.1-2002-16	垫圈 16	Plain washer 16	16	
32	GB/T5782-2000-M16×50	螺栓 M16×50	Hex. head bolt M16×50	8	
33	404G2-E.51.018	右挡泥板焊合件	Right mud shields rest	1	
34	404G2-E.51.011	地板框架焊合件	Foot mud shields welding joint	1	
35	404G2-E.51.015	座椅支架焊合件	Seat bracket	1	
36	404G2-E.51.016	座椅封板焊合件	Squab panel	1	
	404G2-E.51.105	座椅后封板	Squab panel	1	Optional
37	304G2-6.51.031	挂钩组合件	Suspender	1	
38	304G2-6E.51.101	后牌照板	Rear license plate	1	
39	504G3.47.151	橡胶套(二)	rubber ring(2)	2	
40	404G2-6C.51.106	后封板支架	Squab panel bracket		
41	404G2-E.51.017	左挡泥板焊合件	Left mud shields rest	1	
42	304G2-6.51.106	电瓶线护圈	Electrical wire guard ring	1	
43	354-1.47.307	拖车插座安装板	Trailer socket plate	1	
44	GB/T97.1-2002-8	垫圈 8	Plain washer 8	26	
45	404-11.51.025	左尾灯安装架焊合件	Left taillight bracket rest	1	
46	GB/T31.1-1988-M16×150	螺栓 M16×150	Hex. head bolt M16×150	2	
47	404G2-6F.51.421	后护套	Rear damping block sleeve	1	
48	404G2-6F.51.422	挡板	Baffle	1	

25 地板挡泥板总成 Foot Mud Shields Rest

续表

Ser.No.	Part No.	名称及规格	Name & Specifications	Quantity	Remarks
49	GB/T5782-2000-M16×175	螺栓 M16×175	Hex. head bolt M16×175	8	

26.1 提升器操纵机构总成
Hydraulic Power Lift Operation Mechanism System
404G2-6C.55.012



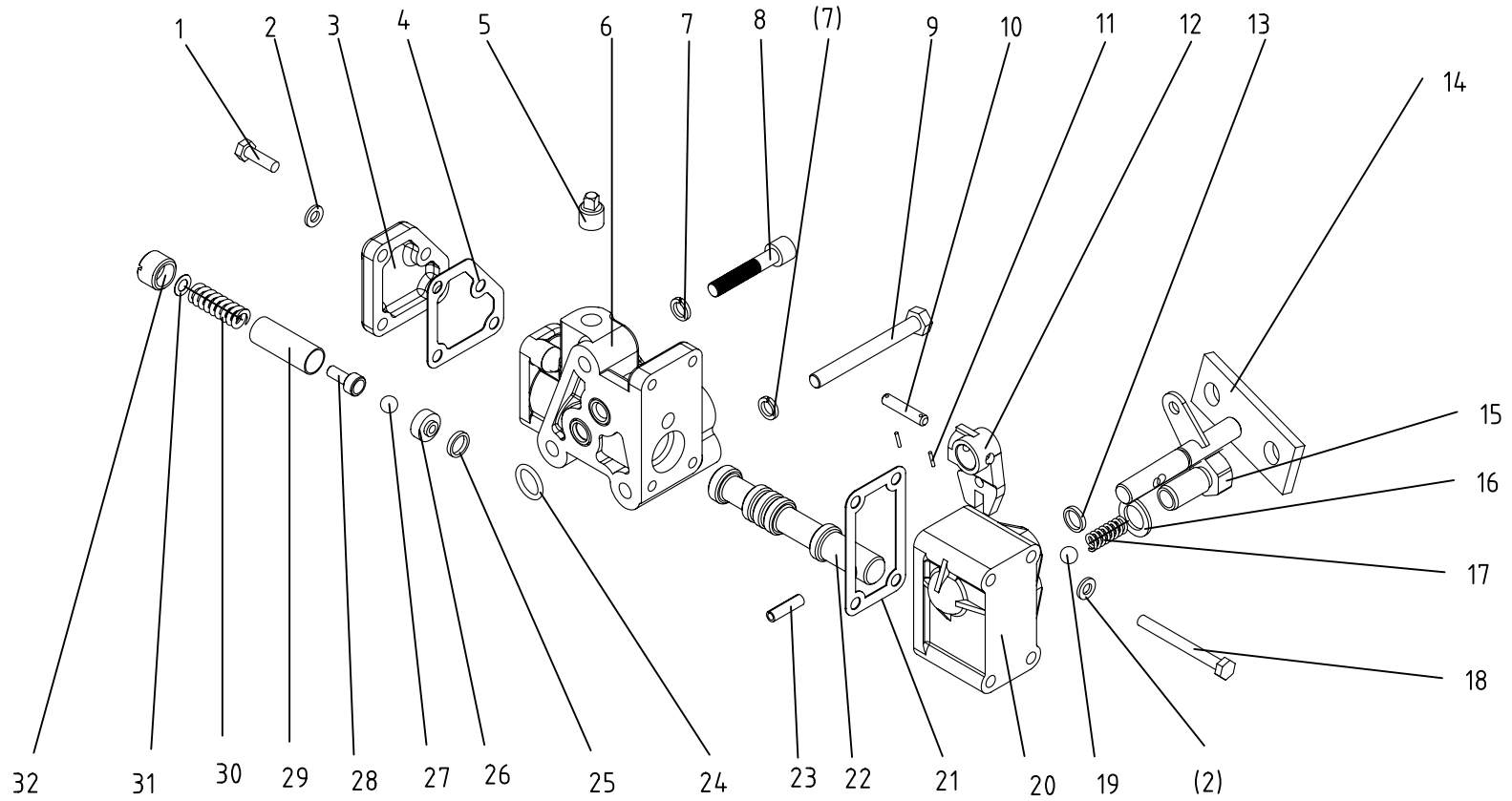
26.1 提升器操纵机构总成 Hydraulic Power Lift Operation Mechanism System

Ser.No.	Part No.	名称及规格	Name & Specifications	Quantity	Remarks
1	GB/T 6170-2000-M6	螺母 M6	Hex. nut M6	2	
2	GB/T 93-1987-6	垫圈 6	spring lock washer 6	2	
3	GB/T 5783-2000-M6×16	螺栓 M6×16	Hex.head bolt M6×16	2	
4	404G2-6C.55.121	摇臂	Rocker	1	
5	GB/T882-2000-B10×30	销轴 B10×30	Clevis pin with head B10×30	2	
6	504G3.37.090	拉杆焊合件	Pull rod	1	L=105
	404G2-6F.55.090	拉杆焊合件	Pull rod	1	L=120, Optional
	404G2-6F.55.090A	拉杆焊合件	Pull rod	1	L=135, Optional
7	GB/T97.1-2002-10	垫圈 10	Plain washer 10	2	
8	GB/T91-2000-3.2×25	销 3.2×20	Split pin 3.2×25	2	
9	GB/T 6170-2000-M10	螺母 M10	Hex. nut M10	1	
10	254G2.43.102	拉杆叉	Pullback fork	1	
11	504G3-3.51.161	尼龙垫圈	Nylon washer	2	
12	504G3.55.218	衬套 (20×20)	Sleeve(20×20)	1	
13	404G2-6C.55.023	提升手柄焊合件	Handle assy	1	
14	1204.55.108	位控制手柄	Handle	1	
15	GB/T 5783-2000-M8×25	螺栓 M8×25	Hex.head bolt M8×25	2	
16	GB/T 93-1987-8	垫圈 8	spring lock washer 8	2	
17	504G3-3.51.051	固定轴焊合件(二)	Fixed axis(2)	1	
18	504G3-3.51.050	固定板焊合件(二)	Fixed board(2)	1	
19	504G3-3.51.106	密封垫(三)	Sealing gasket(3)	1	

26.2 分配器总成 Hydraulic Oil Distributor

404G2-6F. 55. 011

1-6
10-32
33



26.2 分配器总成 Hydraulic Oil Distributor

Ser.No.	Part No.	名称及规格	Name & specifications	Quantity	Remarks
1	GB/T5783-2000-M6×20	螺栓 M6×20	Hex. head bolt M6×20	4	
2	GB/T93-1987-6	垫圈 6	Spring lock washer 6	8	
3	200.55.131	端盖	End cover	1	
4	200.55.132	端盖纸垫	Paper gasket	1	
5	GB/T3289.31-1982-R1/4	外方管堵 R1/4	Square head oil plug R1/4	1	
6	200.55.126-A	分配器壳体	Distributor body	1	
7	GB/T93-1987-8	垫圈 8	Spring lock washer 8	3	
8	GB/T70.1-2000-M8×25	螺钉 M8×25	Hex. socketed cap screw M8×25	2	
9	GB/T5781-2000-M8×75	螺栓 M8×75	Hex. head bolt M8×75	1	
10	GB/T880-1986-6×30	销 6×30	Pin 6×30	1	
11	GB/T91-2000-1.6×10	销 1.6×10	Split pin 1.6×10	2	
12	200.55.128	拔叉	Fork	1	
13	GB/T3452.1-1992-10.6×1.8	O形圈 10.6×1.8	O-ring seal 10.6×1.8	2	
14	404G2-6F.55.013	手柄焊合件	Handle pole	1	
15	200.55.129-1	定位螺钉	Positioning bolt	1	
16	JB-FT-CU-14	组合铜垫圈 14	Combination washer 14	1	
17	200.55.130	定位弹簧	Positioning spring	1	
18	GB/T5783-2000-M6×60	螺栓 M6×60	Hex. head bolt M6×60	4	
19	GB/T308-2002-9.5	钢球 9.5	Steel ball 9.5	1	
20	200.55.123	拔叉盒	Fork box	1	
21	200.55.125	拔叉盒纸垫	Paper gasket	1	
22	200.55.127	操纵阀	Sliding valve	1	
23	GB/T879.1-2000-6×22	销 6×22	Slotted spring pin 6×22	1	
24	GB/T3452.1-1992-17×2.65	O形圈 17×2.65	O-ring seal 17×2.65	2	
25	GB/T3452.1-1992-10.6×2.65	O形圈 10.6×2.65	O-ring seal 10.6×2.65	1	

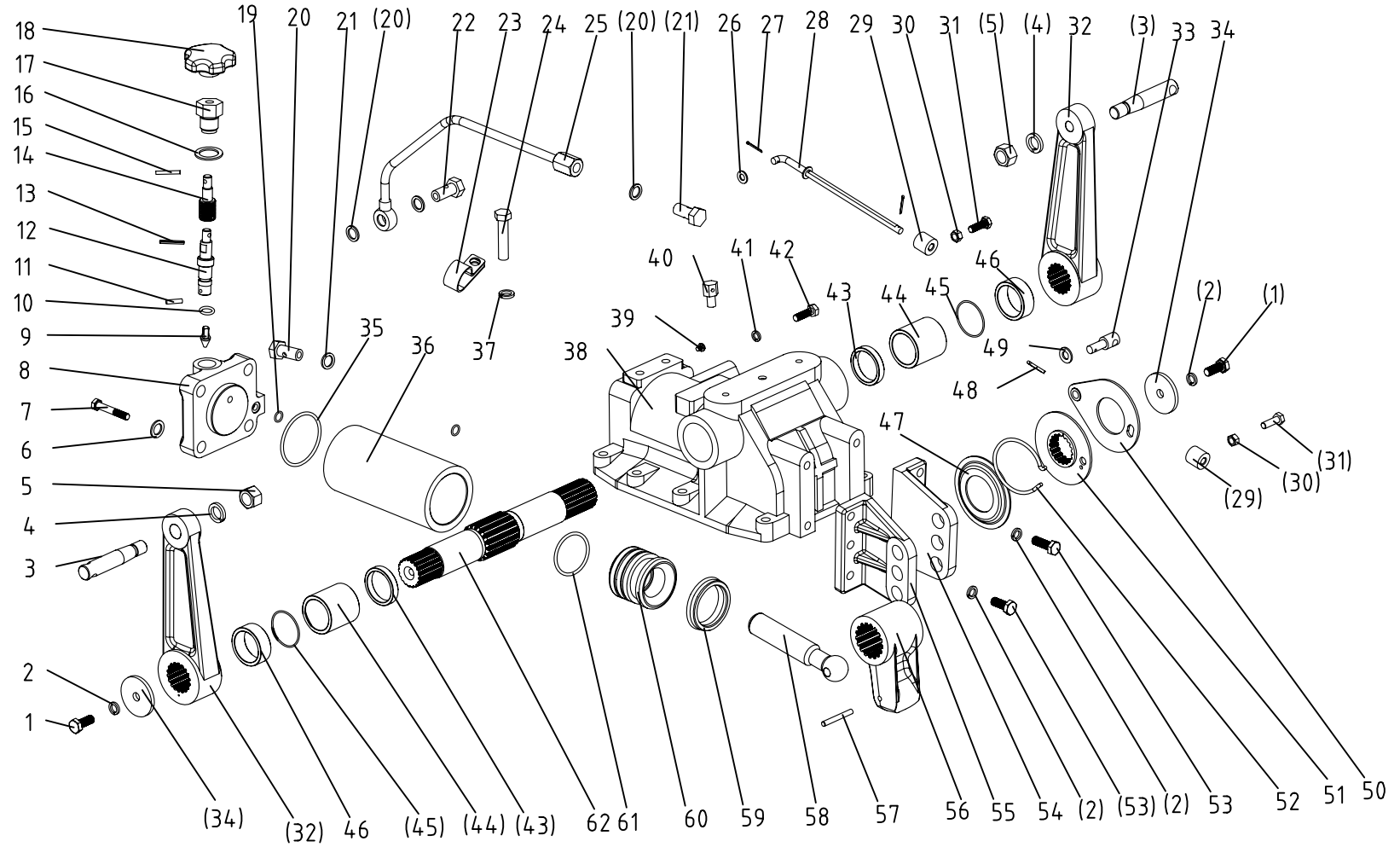
26.2 分配器总成 Hydraulic Oil Distributor

续表

Ser.No.	Part No.	名称及规格	Name & specifications	Quantity	Remarks
26	200.55.138	垫块	Pad	1	
27	GB/T308-2002-9	钢球 9	Steel ball dia.9	1	
28	200.55.137	球座	Ball seat	1	
29	200.55.136	套管	Sleeve	1	
30	200.55.135-1	安全阀弹簧	Safety valve Spring	1	
31	200.55.134	调节垫片	Adjusting shims	2~5	
32	200.55.133	螺塞	Plug	1	
33	404G2-6F.55.011	分配器总成	Hydraulic Oil Distributor	1	

26.3 提升器总成 Hydraulic Power Lift

404G2-6F.55.001



26.3 提升器总成 Hydraulic Power Lift

Ser.No.	Part No.	名称及规格	Name & Specifications	Quantity	Remarks
1	GB/T5783-2000-M10×25	螺栓 M10×25	Hex. head bolt M10×25	2	
2	GB/T93-1987-10	垫圈 10	Spring washer 10	6	
3	200.55.105	提升臂销	Lift arm pin	2	
4	GB/T93-1987-16	垫圈 16	Spring washer 16	2	
5	GB/T6170-2000-M16	螺母 M16	Hex. nut M16	2	
6	GB/T93-1987-14	垫圈 14	Spring washer 14	4	
7	GB/T5782-2000-M14×50	螺栓 M14×50	Hex. head bolt M14×50	4	
8	300.55.114-1	油缸盖	Cylinder cover	1	
9	300.55.125	调节阀	adjust valve	1	
10	GB/T3452.1-1992-11.8×1.8	O形圈 11.8×1.8	O-ring seal 11.8×1.8	2	
11	GB/T119.1-2000-4×12	销 4×12	Pin 4×12	1	
12	300.55.127	调节阀杆下端	The lower end of adjust valve	1	
13	GB/T879.1-20004×16	销 4×16	Pin 4×16	1	
14	300.55.122	调节阀杆上端	The lower top of adjust valve	1	
15	GB/T879.1-2000-5×24	销 5×24	Pin 5×24	1	
16	300.55.124	垫圈30	Spring washer 30	1	
17	300.55.130	阀杆螺母	Valve -pole nut	1	
18	300.55.020	手轮胶合件	Handwheel assy	1	
19	GB/T3452.1-1992-10.6×1.8	O形圈 10.6×1.8	O-ring seal 10.6×1.8	1	
20	JB1000-77-M14×1.5	螺塞 M14×1.5	Plug M14×1.5	2	
21	JB-FT-CU-14	组合铜垫圈 14	Combination washer 14	2	
22	200.55.124	铰接螺栓 M14×1.5	Hex. head bolt M14×1.5	1	
23	200.55.165	夹紧板	Pressing Plate	1	
24	GB/T5782-2000-M12×50	螺栓 M12×50	Hex. head bolt M12×50	1	
25	200.55.022-1	输出油管焊合件	Out-let pipe	1	

26.3 提升器总成 Hydraulic Power Lift

续表

Ser.No.	Part No.	名称及规格	Name & Specifications	Quantity	Remarks
26	GB/T97.1-2002-8	垫圈 8	Plain washer 8	1	
27	GB/T91-2000-2×16	销 2×16	Split pin 2×16	2	
28	300-6.55.010	联动杆焊合件	Linkage rod	1	
29	200.55.119-1	挡块	Limit spot	2	
30	GB/T6170-2000-M8	螺母 M8	Hex. nut M8	4	
31	GB/T5783-2000-M8×20	螺栓 M8×20	Hex. head bolt M8×20	2	
32	300-6.55.106	外提升臂	Lift arm	2	
33	200.55.120	联动销	Linkage pin	1	
34	200.55.107	压板	Clamping plate	2	
35	GB/T3452.1-1992-92.5×5.3	O形圈 92.5×5.3	O-ring seal 92.5×5.3	1	
36	300.55.115	油缸	Cylinder	1	
37	GB/T93-1987-12	垫圈 12	Spring washer 12	1	
38	300.55.101-2	提升器壳体	Lift case	1	
39	GB/T70.1-2000-M8×25	内六角螺钉 M8×25	Hex. head bolt M8×25	2	
40	200.55.111-2	通气螺塞	Vent tube	1	
41	GB/T93-1987-8	垫圈 8	Spring washer 8	3	
42	GB/T5783-2000-M8×75	螺栓 M8×75	Hex. head bolt M8×75	1	
43	200.55.102	隔套	Spacer sleeve	2	
44	200.55.103A	衬套	Bush	2	
45	GB/T3542.1-1992-38.7×5.3	O形圈 38.7×5.3	O-ring seal 38.7×5.3	2	
46	200.55.104	隔套	Spacer sleeve	2	
47	200.55.122	挡盘	Retainer plate	1	
48	GB/T91-2000-3.2×20	销 3.2×20	Split pin 3.2×20	1	
49	GB/T97.1-2002-10	垫圈 10	Plain washer 10	1	

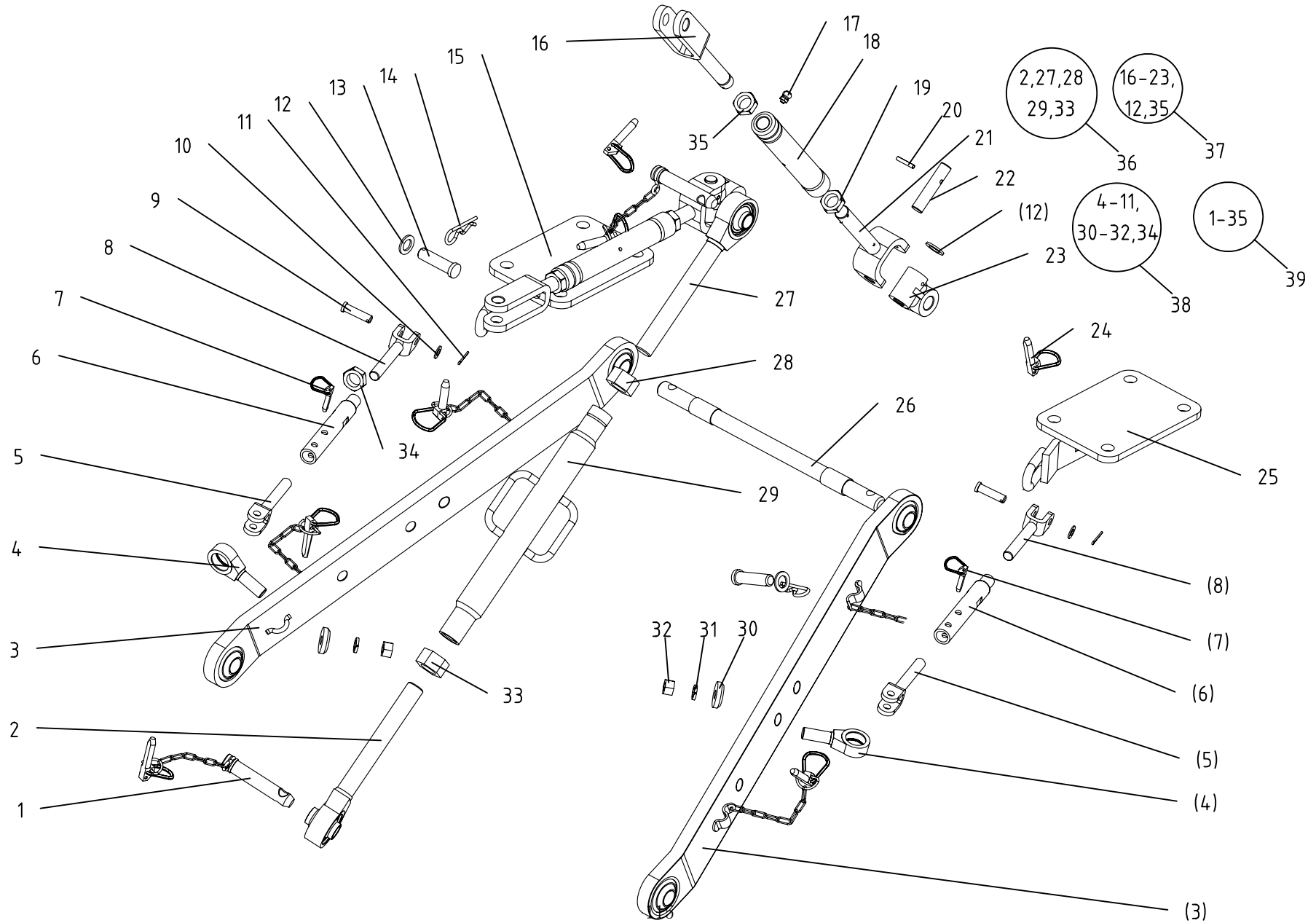
26.3 提升器总成 Hydraulic Power Lift

续表

Ser.No.	Part No.	名称及规格	Name & Specifications	Quantity	Remarks
50	200.55.014	拨盘焊合件	Driven plate	1	
51	200.55.016	传动盘焊合件	Drive plate weldment	1	
52	200.55.121	扭簧	Torsion spring	1	
53	GB/T5783-2000-M10×30	螺栓 M10×30	Hex. head bolt M10×30	4	
54	300.55.024	右挂接板焊合件	Right Hitching plate	1	
55	300.55.025	左挂接板焊合件	Left Hitching plate	1	
56	300.55.132-1	内提升臂	Inner lift arm	1	
57	GB/T879.1-2000- 6×50	销 6×50	Slotted spring pin 6×50	1	
58	200.55.109	活塞顶杆	Piston push rod	1	
59	300.55.117	YX形密封圈 D80	YX-seal D80	1	
60	300.55.116	活塞	Piston	1	
61	GB/T3452.1-1992-73×3.55	O形圈 73×3.55	O-ring seal 73×3.55	1	
62	300.55.135	提升轴	Lift shaft	1	

27 悬挂装置总成 Suspension Mechanism

300.56.001-1



27 悬挂装置总成 Suspension Mechanism

Ser.No.	Part No.	名称及规格	Name & Specifications	Quantity	Remarks
1	200.56.016	上拉杆连接销总成	Coupling pin of upper link	2	
2	300.56.020-1	上拉杆后调节杆总成	Upper link rear adjusting rod	1	
3	300.56.030-1	下拉杆焊合件	Lower link weldment	2	
4	300.56.109	环形螺钉	Spring	2	
5	300.56.016	限位链后叉焊合件	Rear check chain	2	
6	300.56.104	调节套管	Adjust sleeve	2	
7	300.56.011	锁销组合件	Kock pin	2	
8	300.56.015	限位链前叉焊合件	Front check chain	2	
9	GB/T882-1986-14×55	销 14×55	Clevis pin with head 14×55	4	
10	GB/T97.1-2002-14	垫圈 14	Plain washer 14	4	
11	GB/T91-2000-4×25	开口销 4×25	Split pin 4×25	4	
12	GB/T97.1-2002-16	垫圈 16	Plain washer 16	4	
13	GB/T882-1986-B16×55	销轴 B16×55	Clevis pin with head B16×55	2	
14	200.56.101-1	R销	R-pin	2	
15	300.56.029-1	左前限位链焊合件	Left-front check chain	1	
16	300.56.024-1	提升杆下吊耳焊合件	Lower clevis of lift rod	2	
17	JB/T7940.1-1995-M10×1	油杯 M10×1	Grease nipple M10×1	2	
18	300.56.150	提升螺管	Lift rod upper clevis	2	
19	GB/T6173-2000-M20×2	螺母 M20×2	Hex.nut M20×2	2	
20	GB/T91-2000-3.2×26	销 3.2×26	Split pin 3.2×26	2	
21	300.56.022-1	提升杆上吊耳焊合件	Lift rod up clevis	2	
22	GB/T882 -1986-16×80	销 16×80	Clevis pin with head 16×80	2	
23	300.56.113	提升杆十字接头	Cross joint of lift rod	2	
24	200.56.011	锁销组合件	Kock pin	2	
25	300.56.026-1	右前限位链焊合件	Right-front check chain	1	

27 悬挂装置总成 Suspension Mechanism

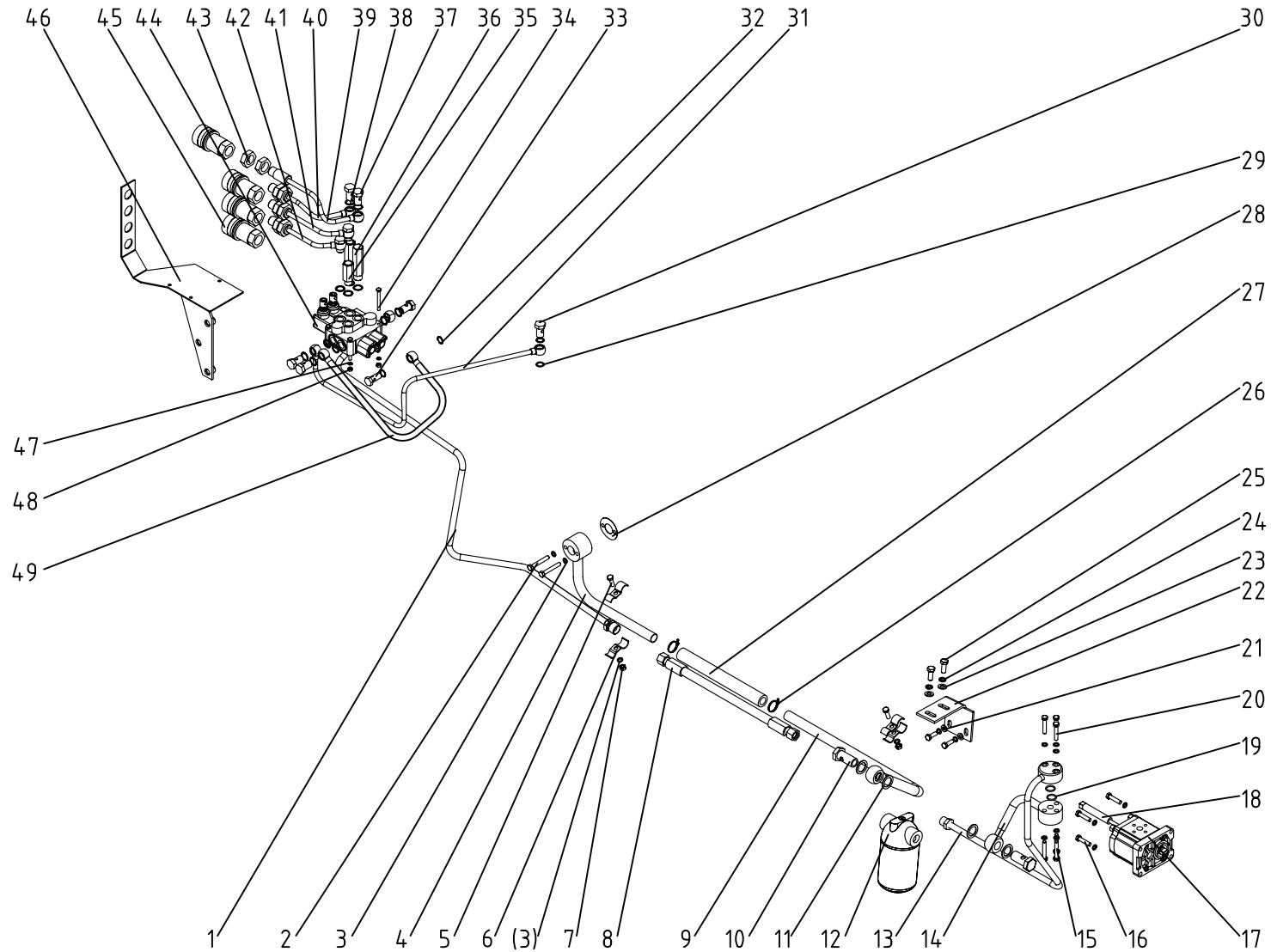
续表

Ser.No.	Part No.	名称及规格	Name & Specifications	Quantity	Remarks
26	200.56.103	下拉杆连接轴	Lower link shaft	1	
27	300.56.018-1	上拉杆前调节杆总成	Upper link front adjusting rod	1	
28	GB/T6170-2000-M24	六角螺母 M24	Hex .nut M24	1	
29	280.56.016	调节螺管焊合件	Turn buckle of upper link	1	
30	300.57.157	圆板	Round plate	1	
31	GB/T93-1987-16	垫圈 16	Spring lock washer 16	2	
32	GB/T6170-2000-M16	螺母 M16	Hex.nut M16	2	
33	GB/T6172-2000-M24-L	螺母 M24(左)	Hex.nut M24-L	2	
34	GB/T6172-2000-M22	螺母 M22	Hex.nut M22	2	
35	GB/T6173-2000-M20×2-L	螺母 M20×2(左)	Hex.nut M20×2-L	2	
36	300.56.012-1	上拉杆总成	Upper link assembly	1	
37	300.56.013-1	提升杆总成	Lift rod assembly	2	
38	300.56.033-1A	限位链总成	Check chain assembly	2	
39	300.56.001-1	悬挂装置总成	Suspension mechanism assembly	1	

28.1 液压提升管路系统总成 (配多路阀)

Hydraulic Lifting Pipeline Assembly

404G2-E. 58.001



28.1 液压提升管路系统总成 Hydraulic Lifting Pipeline Assembly

Ser.No.	Part No.	名称及规格	Name & Specifications	Quantity	Remarks
1	404G2-E.58.015	多路阀进油管焊合件	Inlet pipe weldment	1	
2	GB/T5783-2000-M8×55	螺栓 M8×55	Hex. head bolt M8×55	2	
3	GB/T93-1987-8	垫圈 8	Spring lock washer 8	15	
4	404G2-6F.58.018	滤清器进油管焊合件(一)	Filter inlet pipe weldment(1)	1	
5	GB/T5783-2000-M8×25	螺栓 M8×25	Hex. head bolt M8×25	4	
6	404B.58D.120-1	固定夹	Fixed clip	4	
7	GB/T6170-2000-M8	螺母 M8	Hex.nut M8	2	
8	254-5.58.013	软管总成	Hose assy	1	
9	404G2-6.58.015	滤清器进油管焊合件(二)	Filter inlet pipe weldment(2)	1	
10	320.58.108	铰接螺栓 M22×1.5	Hollow bolt M22×1.5	2	
11	JB-FT-CU-22	组合铜垫圈 22	Combination washer 22	4	
12	YX0811A2-0000	液压油滤清器总成	Filter	1	
13	404G2-6F.58.017-1	多路阀进油管前段焊合件	Front inlet pipe weldment	1	
14	404B.58D.010	油泵吸油管焊合件	Inlet pipe assy of gear pump	1	
15	GB/T5783-2000-M8×45	螺栓 M8×45	Hex. head bolt M8×45	3	
16	GB/T5783-2000-M8×35	螺栓 M8×35	Hex. head bolt M8×35	3	
17	CBN-F314B	齿轮泵	Gear pump	1	
18	300.58.102	紧固螺栓	Fixup bolt	1	
19	GB/T3452.1-1992-18×2.65	O形圈 18×2.65	O-ring seal 18×2.65	2	
20	GB/T5783-2000-M8×40	螺栓 M8×40	Hex. head bolt M8×40	3	
21	GB/T97.1-2002-8	垫圈 8	Plain washer 8	2	
22	404B.58.102	滤清器支架	Fix plank	1	
23	GB/T97.1-2002-10	垫圈 10	Plain washer 10	2	
24	GB/T93-1987-10	垫圈 10	Spring lock washer 10	2	
25	GB/T5783-2000-M10×20	螺栓 M10×20	Hex. head bolt M10×20	2	

28.1 液压提升管路系统总成 Hydraulic Lifting Pipeline Assembly

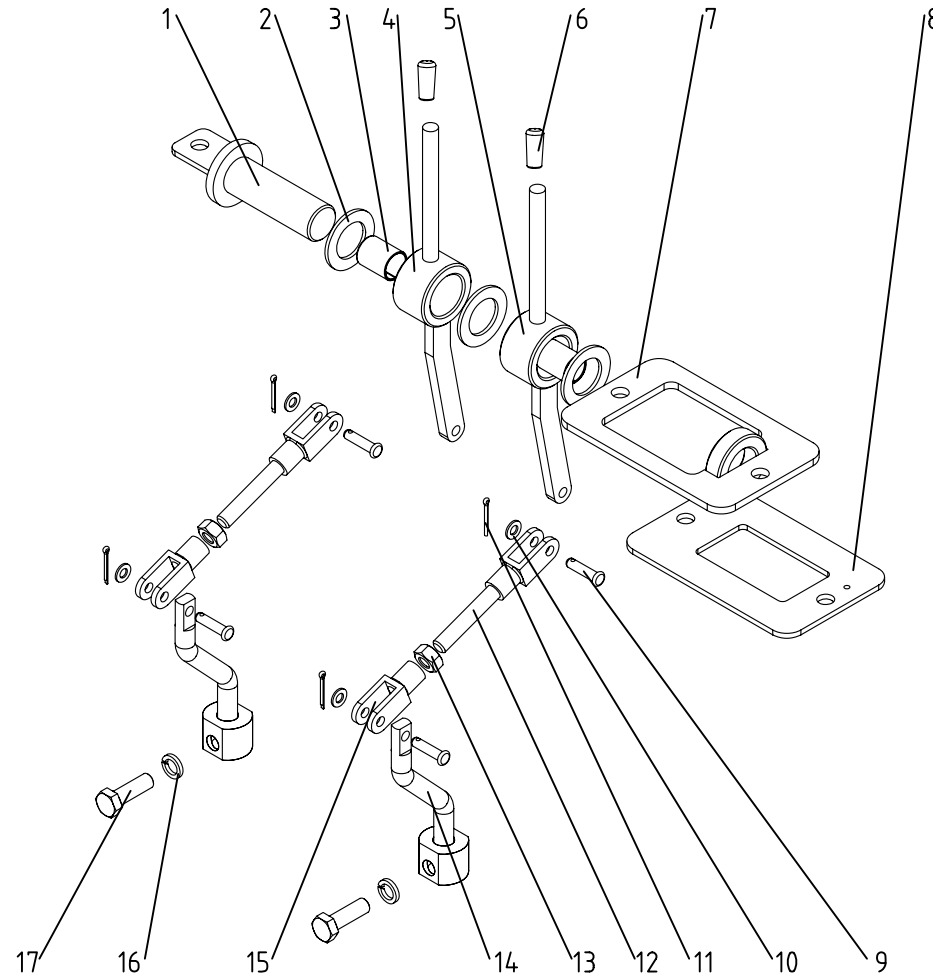
续表

Ser.No.	Part No.	名称及规格	Name & Specifications	Quantity	Remarks
26	JB/T8870-1999-2A(25-38)	喉箍2A (25-38)	Hoop 2A(25-38)	2	
27	HG4-761-74-22×32×270	输油胶管 22×32×270	Hose 22×32×270	1	
28	304.58A.101	纸垫	Paper gasket	1	
29	JB-FT-CU-16	组合铜垫圈 16	Combination washer 16	2	
30	JB/T6013-2000-M16×1.5	铰接螺栓 M16×1.5	Hollow bolt M16×1.5	1	
31	404G2-E.58.016	多路阀回油管焊合件	Return pipe weldment	1	
32	JB-FT-CU-14	组合铜垫圈 14	Combination washer 14	2	
33	200.55.124	空心螺栓	Hollow bolt	1	
34	GB/T5782-2000-M6×55	螺栓 M6×55	Hex. head bolt M6×55	3	
35	254-1.61.101	多路阀吸油管接头	Linking tube	1	
36	304G2-6.61.118	吸油管接头	Linking tube	2	
37	354.61.101	铰接螺栓	Hollow bolt	7	
38	354.61.102	垫圈	Spring lock washer	17	
39	404G2-6F.58.027	多路阀出油管焊合件(四)	Outlet pipe weldment(4)	1	
40	404G2-6F.58.025	多路阀出油管焊合件(三)	Outlet pipe weldment(3)	1	
41	404G2-6F.58.023	多路阀出油管焊合件(二)	Outlet pipe weldment(2)	1	
42	404G2-6F.58.021	多路阀出油管焊合件(一)	Outlet pipe weldment(1)	1	
43	GB/T6173-2000-M24×2	螺母 M24×2	Hex.nut M24×2	8	
44	ZD-10E-W/0-T/0-1	整体式多路阀	Multiple Directional Control Val	1	
45		快换接头NPT1/2"	Quick change NPT1/2"	4	
46	404G2-E.58.011	多路阀支架焊合件	Connecting plant weldment	1	
47	GB/T93-1987-6	垫圈 6	Spring lock washer 6	3	
48	GB/T6170-2000-M6	螺母 M6	Hex.nut M6	3	
49	404G2-E.58.013	分配器进油管焊合件	Inlet pipe weldment	1	

28.2 多路阀操纵组合件

Multiple Directional Control Valve Operation Mechanism

404G2-E. 58. 012

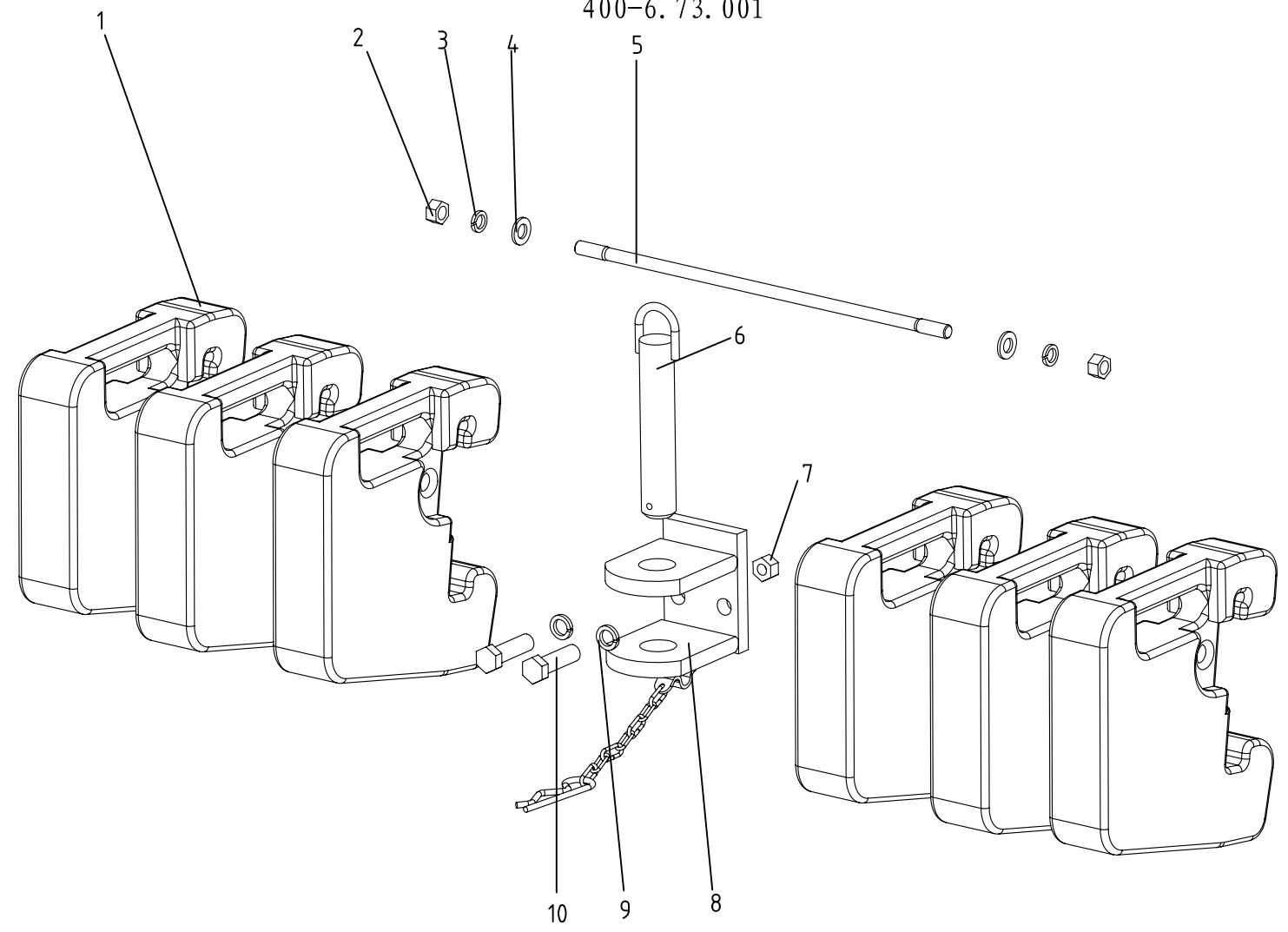


28.2 多路阀操纵总成 Multiple Directional Control Valve Operation Mechanism

Ser. No.	Part No.	名称及规格	Name & Specifications	Quantity	Remarks
1	504G3-3.51.041	固定轴焊合件(一)	Fixed axis(1)	1	
2	504G3-3.51.161	尼龙隔圈	Nylon washer	3	
3	504G3.55.218	衬套(20*20)	Sleeve(20×20)	2	
4	404G2-E.58.023	左操纵杆焊合件	Left control rod weldment	1	
5	404G2-E.58.024	右操纵杆焊合件	Right control rod weldment	1	
6	504G3-3.51.231	操纵手柄	Control handle	2	
7	504G3-3.51.040	固定板焊合件(一)	Fixed board(1)	1	
8	504G3-3.51.107	密封垫(四)	Sealing gasket(4)	1	
9	.GB/T882-1986-B5×20	销轴 B5×20	Clevis pin with head B5×20	4	
10	GB/T97.1-2002-5	垫圈 5	Plain washer 5	4	
11	GB/T971-2000-2×16	销 2×16	Split pin 2×16	4	
12	404G2-6D.58A.026	连接杆焊合件	Connecting rod	2	
13	GB/T 6170-2000-M8	螺母 M8	Hex. nut M8	2	
14	404G2-E.58.022	多路阀操纵杆焊合件	Manipulate lever weldment	2	
15	504G3.55A.141	连接叉	Fork	2	
16	GB/T 93-1987-8	垫圈 8	spring lock washer 8	2	
17	GB/T 5783-2000-M8×25	螺栓 M8×25	Hex.head bolt M8×25	2	

29 前配重总成
Front Balance Weight

400-6.73.001



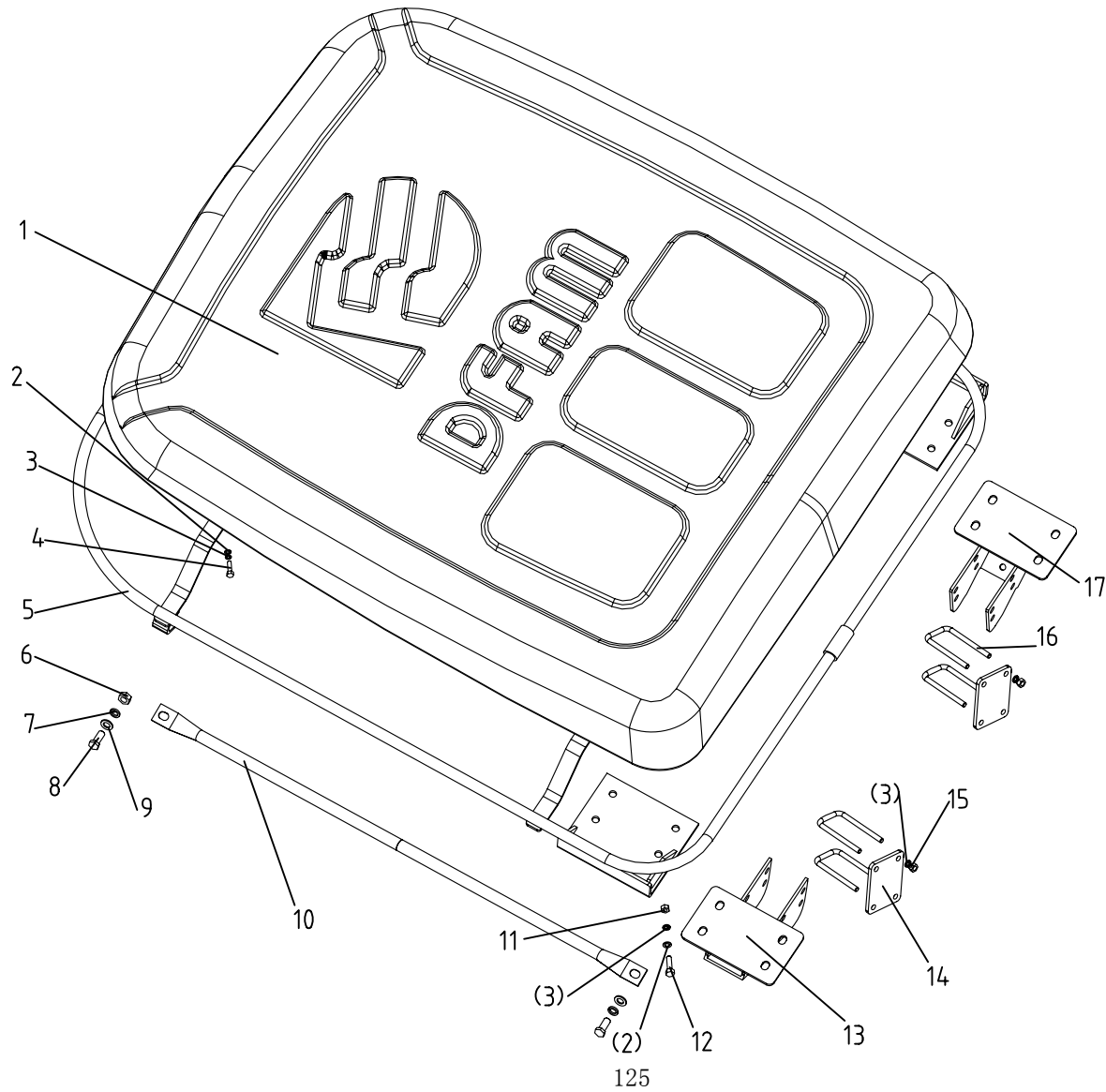
29 前配重总成 Front Balance Weight

Ser.No.	Part No.	名称及规格	Name & Specifications	Quantity	Remarks
1	250.73.101-1	配重	Balance weight block	6	
2	GB/T6170-2000-M12	螺母 M12	Hex.nut M12	2	
3	GB/T93-1987-12	垫圈 12	Spring lock washer 12	2	
4	GB/T96-2002-12	垫圈 12	Plain washer 12	2	
5	GB/T953-1988-M12×490	螺柱 M12×490	Clamping-type double stud M12×490	1	
6	300-6.73.012	插销焊合件	Bolt weldment	1	
7	GB/T6170-2000-M14	螺母 M14	Hex.nut M14	2	
8	300.73.011	牵引板焊合件	Front drawbar weldment	1	
9	GB/T5783-2000-M14×45	螺栓 M14×45	Hex.bolt M14×45	2	
10	GB/T93-1987-14	垫圈 14	Spring lock washer 14	2	

30 遮阳篷总成 Sunshade

(Optional)

304-9A.45.001



30 遮阳篷总成 Sunshade

Ser.No.	Part No.	名称及规格	Name & Specifications	Quantity	Remarks
1	254G3.45.101	遮阳篷	Sunshade	1	
2	GB/T97.1-2002-12	垫圈 12	Plain washer 12	16	
3	GB/T93-1987-12	垫圈 12	Spring lock washer 12	12	
4	GB/T5783-2000-M12×25	螺栓 M12×25	Hex. head bolt M12×25	4	
5	304-9A.45.011	上支撑架焊合件	Ascending shore	1	
6	GB/T6170-2000-M10	螺母 M10	Hex. nut M10	2	
7	GB/T93-1987-10	垫圈 10	Spring lock washer 10	4	
8	GB/T97.1-2002-10	垫圈 10	Plain washer 10	4	
9	GB/T5783-2000-M10×30	螺栓 M10×30	Hex. head bolt M10×30	4	
10	304-9A.45.101	支撑钢管	Support tube	2	
11	GB/T6170-2000-M12	螺母 M12	Hex. nut M12	8	
12	GB/T5783-2000-M12×35	螺栓 M12×35	Hex. head bolt M12×35	8	
13	304-9A.45.016	下支撑座焊合件 (左)	Left shore	1	
14	304-9A.45.102	固定板	Immobility board	2	
15	GB/T6182-2000-M12	螺母 M12	Hex. nut M12	4	
16	304-9A.45.103	U型螺栓	U-bolt	4	
17	304-9A.45.017	下支撑座焊合件 (右)	Right shore	1	

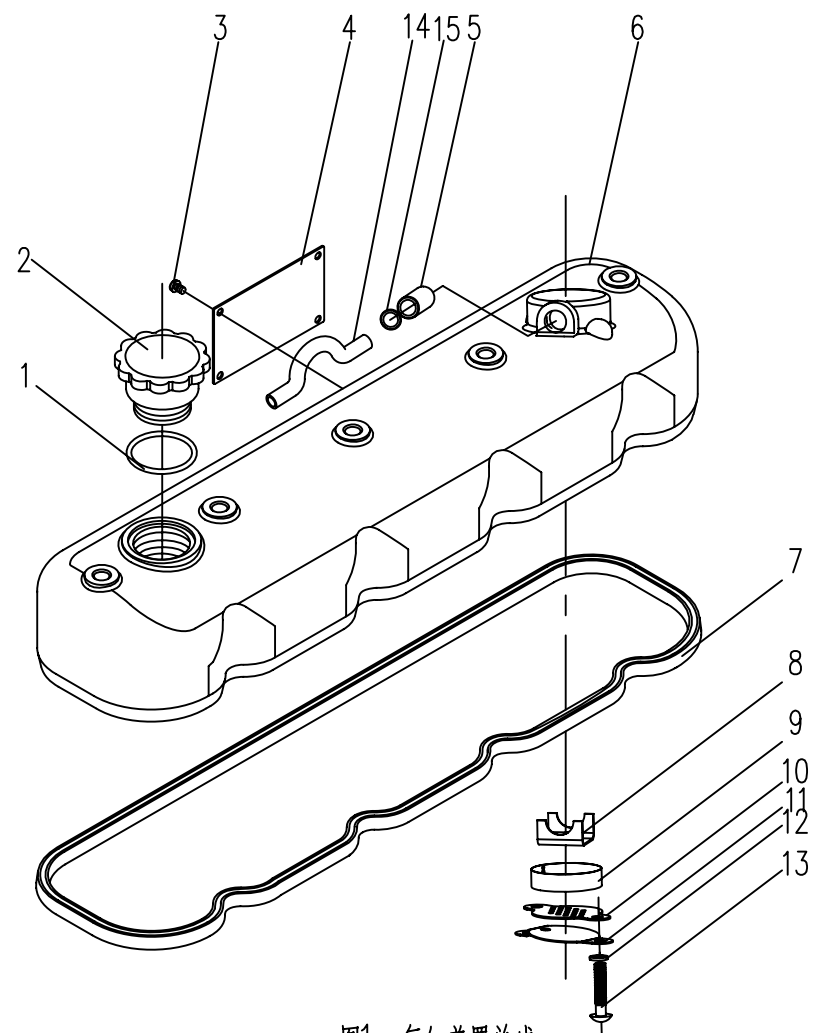


图1 气缸盖罩总成

Fig.1 Cylinder Head Cover Assembly

31 气缸盖罩总成 Cylinder Head Cover Assembly (Fig. 1)

Ser.No.	Part No.	名称及规格	Name & Specifications	Quantity	Remarks
1	GB/T3452.1-2005-33.5×2.65	O形圈33.5×2.65	Seal ring 33.5×2.65	1	
2	N85-01002	加油口盖	Oil filling cover	1	
3	GB/T65-2000-M4×6	螺钉M4×6	Bolt M4×6	4	
4	ZN390TE-01018(H)	EC排放标签	EC Emission label	1	
5	N85-01004	抽气管	Breather tube	1	
6	4L68-01003B	气缸盖罩	Cylinder head cover	1	
7	N485-01001	气缸盖罩密封圈	Cylinder head cover seal ring	1	
8	N85-01005	挡架	Retainer	1	
9	N85-01008	铁丝滤网	Steel wool screen	1	
10	N85-01007	多孔挡板	Multi-hole retaining plate	1	
11	N85-01006	挡油板	Oil retainer	1	
12	GB/T859-1987-6	垫圈6	Washer 6	2	
13	GB/T65-2000-M6×12	螺钉M6×12	Screw M6×12	2	
14	ZN390TE-09007	回气管	Breather pipe	1	
15	QC/T619-1999-Q676B25	夹箍Q676B25	Pipe clip Q676B25	2	

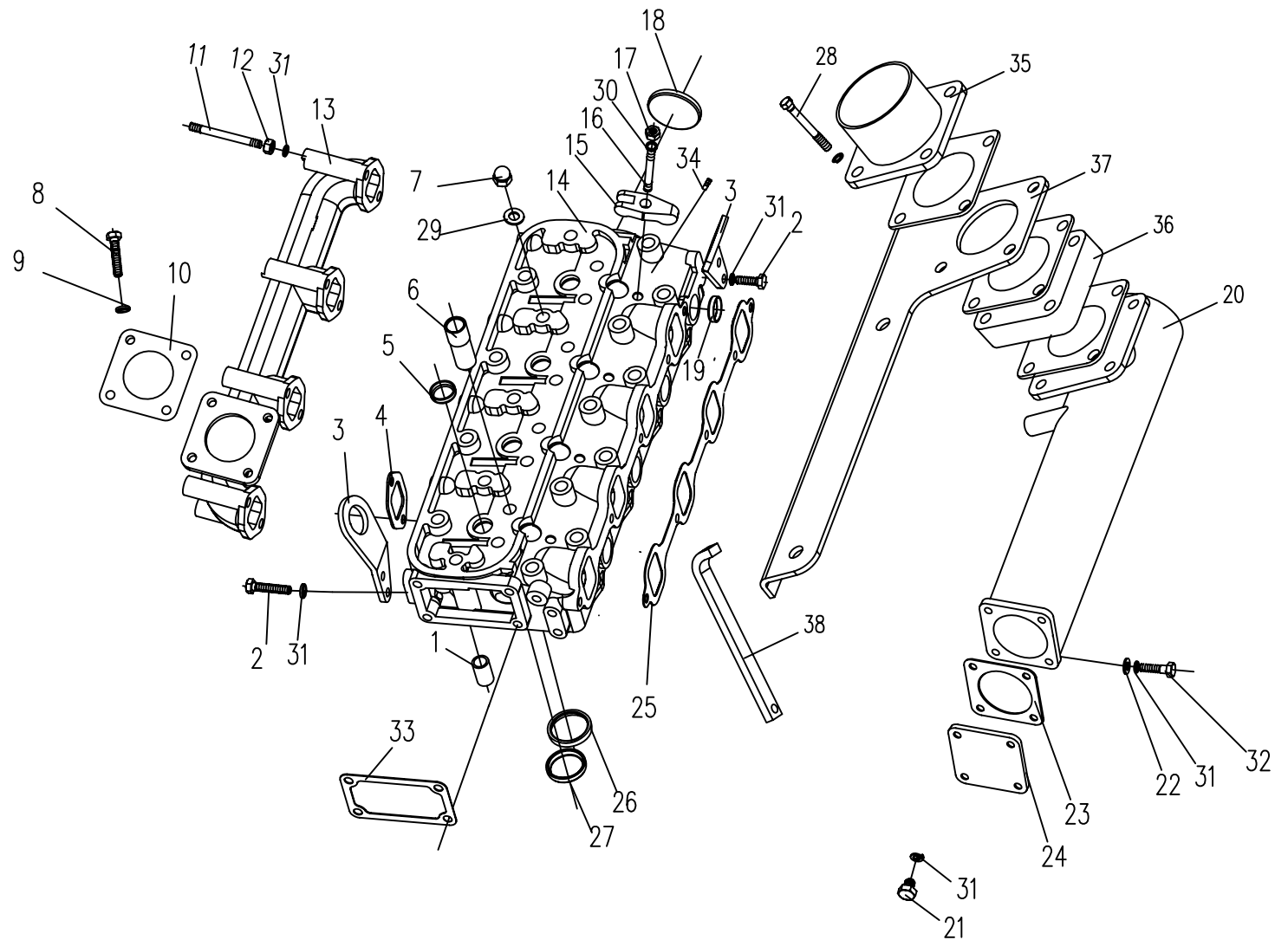


图2 气缸盖总成

Fig.2 Cylind Head Assembly

32 气缸盖总成 Cylinder Head Assembly (Fig. 2)

Ser.No.	Part No.	名称及规格	Name & Specifications	Quantity	Remarks
1	N85-02101A	套管	Sleeve	4	
2	GB/T5783-2000-M8×20	螺栓M8×20	Bolt M8×20	4	
3	N85-02004	吊耳	Lifting eye	2	
4	N485Q-10002 (H)	垫片	Gasket	1	
5	N485-02109	碗形塞	Expansion plug Φ26	4	
6	N85-02105	气门导管	Valve guide	4	
7	GB/T923-88-M8	盖形螺母M8	Nut M8	5	
8	GB/T5783-2000-M10×30	螺栓M10×30	Bolt M10×30	4	
9	GB/T93-1987-10	垫圈10	Washer 10	6	
10	N85T-02001	排气管垫片	Exhaust manifold gasket	4	
11	GB/T899-1988-M8×75	双头螺柱M8×75	Stud M8×75	8	
12	GB/T6170-2000-M8	螺母M8	Nut M8	8	
13	N485T-10001 (E)	排气管	Exhaust manifold	1	
14	4B26-021008	气缸盖	Cylinder head	1	
15	4L68-020009	喷油器压板	Injector clamping plate	4	
16	GB/T899-1988-M10×50	螺柱M10×50	Stud M10×50	4	
17	GB/T6170-2000-M10	螺母M10	Nut M10	4	
18	N85-02104	碗形塞	Expansion plug Φ55	1	
19	N85-02102	碗形塞	Expansion plug Φ20	4	
20	N485T-09001 (F)	进气管	Intake manifold	1	
21	GB/T5783-2000-M8×20	螺栓M8×20	Bolt M8×20	4	
22	GB/T97.1-2002-8	垫圈8	Washer 8	4	
23	N485-09006	垫片	Gasket	3	
24	N485-09005	盖板	Cover	1	
25	ZN490QA-02005	进气管垫片	Intake manifold gasket	1	

32 气缸盖总成 Cylinder Head Assembly (Fig. 2)

续表

Ser.No.	Part No.	名称及规格	Name & Specifications	Quantity	Remarks
26	4L68-021007	进气门座	Intake valve seat	4	
27	4L68-021006	排气门座	Exhaust valve seat	4	
28	GB/T5783-2000-M8×16	螺栓M8×16	Bolt M8×16	8	
29	QJ/MD05.01-8	组合垫圈8	Washer 8	5	
30	GB/T899-88-M10×50	螺柱M10×50	Bolt M10×50	8	
31	GB/T859-87-8	垫圈8	Washer 8	29	
32	GB/T5783-2000-M8×28	螺栓M8×28	Bolt M8×28	4	
33	N85Q-17004	节温器壳垫片	Thermostat shell gasket	1	
34	4B26-020027	电热塞闷头	Heater plug	4	
35	N390T-09002(M)	进气接管	Intake joint pipe	1	
36	N485Q-09100	空气加热器	Air heater	1	
37	N485Q-09012(B)	安装板	Plate	1	
38	ZN485T-09011	支架	Support	1	

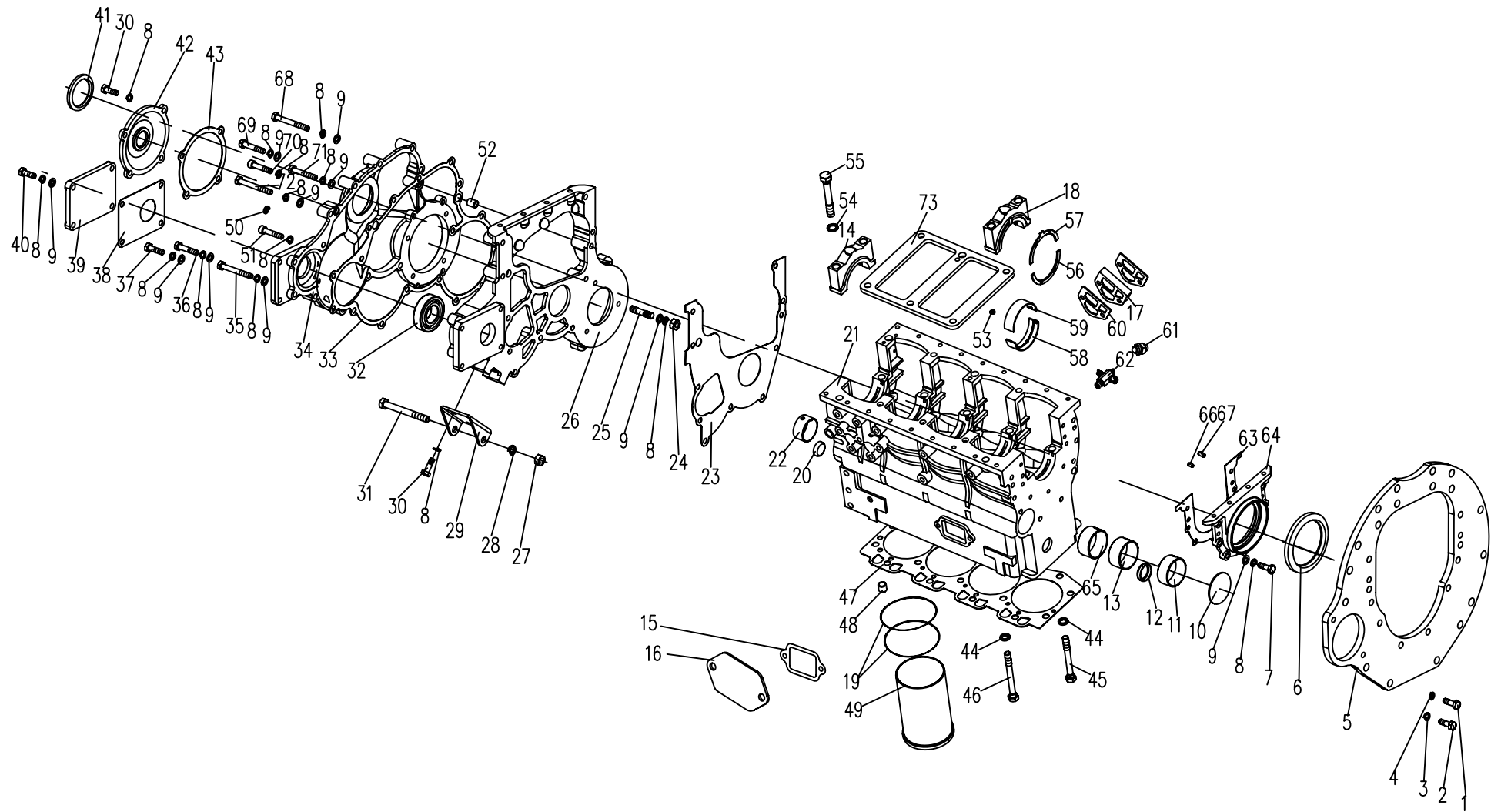


图3 机体、齿轮室总成

Fig.3 Cylinder Block and Gear Case Assembly

33 机体、齿轮室总成 Cylinder Block and Gear Case Assembly(Fig. 3)

Ser.No.	Part No.	名称及规格	Name & Specifications	Quantity	Remarks
1	GB/T5782-2000-M10×35	螺栓M10×35	Bolt M10×35	10	
2	GB/T5782-2000-M12×40	螺栓M12×40	Bolt M12×40	4	
3	GB/T859-1987-12	垫圈12	Washer 12	2	
4	GB/T859-1987-10	垫圈10	Washer 10	12	
5	ZN485T-03012	飞轮壳	Flywheel housing	1	
6	GB/T9877-2008-DL85×110×12	油封DL85×110×12	Oil seal DL85×110×12	1	
7	GB/T5783-2000-M8×25	螺栓M8×25	Bolt M8×25	7	
8	GB/T859-1987-8	垫圈8	Washer 8	46	
9	GB/T848-1985-8	垫圈8	Washer 8	42	
10	N85-03108	塞片	Expansion plug	1	
11	4L88-03109A	凸轮轴后衬套	Camshaft rear bushing	1	
12	N85-03102	碗形塞	Expansion plug φ 30	4	
13	4L88-03112	凸轮轴衬套	Camshaft middle bushing	1	
14	ZN490QA-03104	主轴承盖	Main shaft cover	4	
15	N85-19005	推杆室盖垫片	Push-rod chamber cover gasket	1	
16	ZN390TE-03025B	推杆室盖板	Push-rod chamber cover	1	
17	CC490Q-030021	机油滤清器垫块	Longcylinder head bolt	1	
18	4L68-031007	后主轴承盖	Rear main shaft cover	1	
19	N90-03002	封水圈	Water seal ring	8	
20	N85-03111	堵塞	Blocking plug	4	
21	4L40-03101	机体	Cylinder block	1	
22	4L88-031012(A)	凸轮轴衬套	Camshaft middle bushing	1	
23	4L88-12001	齿轮室垫片	Gear case gasket	1	
24	GB/T6170-2000-M8	螺母M8	Nut M8	3	
25	GB/T899-1988-M8×35	螺栓M8×35	Bolt M8×35	3	

33 机体、齿轮室总成 Cylinder Block and Gear Case Assembly (Fig. 3)

续表

Ser.No.	Part No.	名称及规格	Name & Specifications	Quantity	Remarks
26	ZN485T-12002	齿轮室	Gear case	1	
27	GB/T6170-2000-M10	螺母M10	Nut M10	1	
28	GB/T93-1987-10	垫圈10	Washer 10	1	
29	N85T-12007A	发电机支架	Generator bracket	1	
30	GB/T5782-2000-M8×20	螺栓M8×20	Bolt M8×20	8	
31	GB/T5782-2000-M10×90	螺栓M10×90	Bolt M10×90	1	
32	GB/T276-1982-6007	轴承6007	Bearing 6007	2	
33	4L88-12003(A)	齿轮室盖垫片	Gear case cover gasket	1	
34	ZN485T-12004(A)	齿轮室盖	Gear case cover	1	
35	GB/T5782-2000-M8×65	螺栓M8×65	Bolt M8×65	4	
36	GB/T5782-2000-M8×40	螺栓M8×40	Bolt M8×40	1	
37	GB/T5782-2000-M8×30	螺栓M8×30	Bolt M8×30	2	
38	N85T-12010	液压泵盖垫片	Hydraulic pump cover gasket	4	
39	N85T-12009	液压泵盖	Hydraulic pump cover	2	
40	GB/T5782-2000-M8×25	螺栓M8×25	Bolt M8×25	11	
41	GB/T9877-2008-DR52×72×12	油封DR52×72×12	Oil seal DR52×72×12	1	
42	N485T-12005	齿轮室前盖	Gear case front cover	1	
43	N485T-12006	齿轮室前盖垫片	Gear case front cover gasket	1	
44	N85-03014	气缸盖螺栓垫圈	Cylinder head bolt washer	14	
45	N85-03016-2	气缸盖短螺栓	Short cylinder head bolt	4	
46	N85-03015-2	气缸盖长螺栓	Long cylinder head bolt	14	
47	4B26-030013	气缸盖垫片	Cylinder head gasket	2	
48	N85-03017	气缸盖定位套	Cylinder head locating sleeve	2	
49	ZN390TE-03003	气缸套	Cylinder liner	4	

33 机体、齿轮室总成 Cylinder Block and Gear Case Assembly(Fig. 3)

续表

Ser.No.	Part No.	名称及规格	Name & Specifications	Quantity	Remarks
50	GB/T859-1987-6	垫圈6	Washer 6	1	
51	GB/T70-1985-M8×20	内六角圆柱头螺钉M8×20	Inner hexagon cylindrical bolt M8×20	3	
52	N85-03001	齿轮室定位套	Gear case locating sleeve	3	
53	N85T-03110	定位销	Dowel pin	2	
54	N85-03105	主轴承盖螺栓垫圈	Main shaft cover bolt washer	10	
55	N90-03106	主轴承盖螺栓	Main shaft cover bolt	10	
56	N85-03007	曲轴止推片(下)	Crankshaft thrust plate(lower)	2	
57	N85-03009	曲轴止推片(上)	Crankshaft thrust plate(upper)	2	
58	N85-03006	主轴瓦(下)	Main bearing shell(lower)	4	
59	N85-03008	主轴瓦(上)	Main bearing shell(upper)	4	
60	N85-03020	机油滤清器垫片	Lubricating oil filter gasket	1	
61	N390T-03025	闷盖	Cap	1	
62	ZN390TE-03200(A)	放水阀部件	Water draining cock	1	
63	N85T-03005	后油封盖垫片	Rear oil seal cover gasket	1	
64	N85T-03010	后油封盖	Rear oil seal cover	1	
65	4L68-031014	凸轮轴中间衬套	Camshaft rear bushing	1	
66	GB/T119.1-2000-B8×16	销B8×16	Pin B8×16	2	
67	GB/T119-2000-B10×25	销B10×25	Pin B10×25	2	
68	GB/T5782-2000-M8×60	螺栓M8×60	Bolt M8×60	1	
69	GB/T5782-2000-M8×45	螺栓M8×45	Bolt M8×45	3	
70	GB/T70-1985-M8×55	内六角圆柱头螺钉M8×55	Inner hexagon cylindrical bolt M8×55	1	
71	GB/T5782-2000-M8×50	螺栓M8×50	Bolt M8×50	2	
72	GB/T5782-2000-M8×75	螺栓M8×75	Bolt M8×75	1	
73	4L40-03022	加强板	Stiffiener	1	

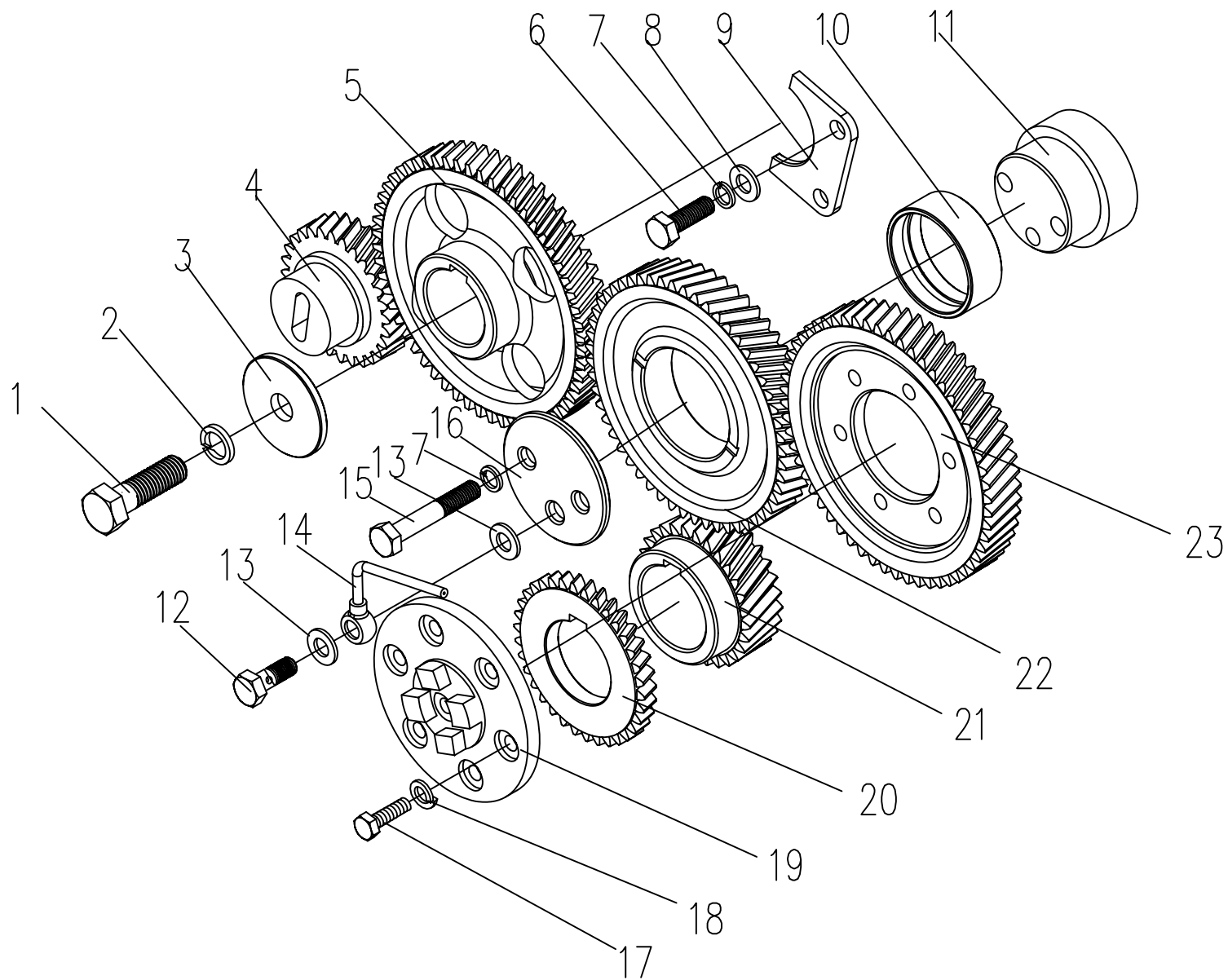


图4 正时齿轮系总成

Fig.4 Timing gear train

34 正时齿轮系总成 Timing Gear Train(Fig. 4)

Ser.No.	Part No.	名称及规格	Name & Specifications	Quantity	Remarks
1	GB/T5782-2000-M12×30	螺栓M12×30	Bolt M12×30	1	
2	GB/T859-1987-12	垫圈12	Washer 12	1	
3	N85-04009	凸轮轴正时齿轮压板	Camshaft timing gear retainer	1	
4	N85T-04011A-1	液压泵齿轮	Hydraulic pump gear	1	
5	N85T-04007	凸轮轴正时齿轮	Camshaft timing gear	1	
6	GB/T5782-2000-M8×16	螺栓M8×16	Bolt M8×16	2	
7	GB/T859-1987-8	垫圈8	Washer 8	4	
8	GB/T97.1-2002-8	垫圈8	Washer 8	2	
9	N85-04008	凸轮轴压板	Camshaft retainer	1	
10	4L88-040002	正时惰齿轮衬套	Timing idle gear bushing	1	
11	N85T-04004A	正时惰齿轮轴	Timing idle gear shaft	1	
12	N85T-04012	空心螺栓	Hollow bolt	1	
13	195-09001-1	垫圈	Washer	2	
14	N85T-04100	喷油管部件	Oil pipe	1	
15	GB/T5782-2000-M8×50	螺栓M8×50	Bolt M8×50	2	
16	N85T-04003	正时惰齿轮压板	Timing idle gear retainer	1	
17	GB/T5783-2000-M6×25	螺栓M6×25	Bolt M6×25	6	
18	GB/T859-1987-6	垫圈6	Washer 6	6	
19	N485T-32001D	联接盘	Adapter	1	
20	N85-04010	机油泵主动齿轮	Lubricating oil pump driving gear	1	
21	N85-04006	曲轴正时齿轮	Crankshaft timing gear	1	
22	4L88-040005	正时惰齿轮	Timing idle gear	1	
23	N485T-04001A	燃油泵正时齿轮	Injection pump timing gear	1	

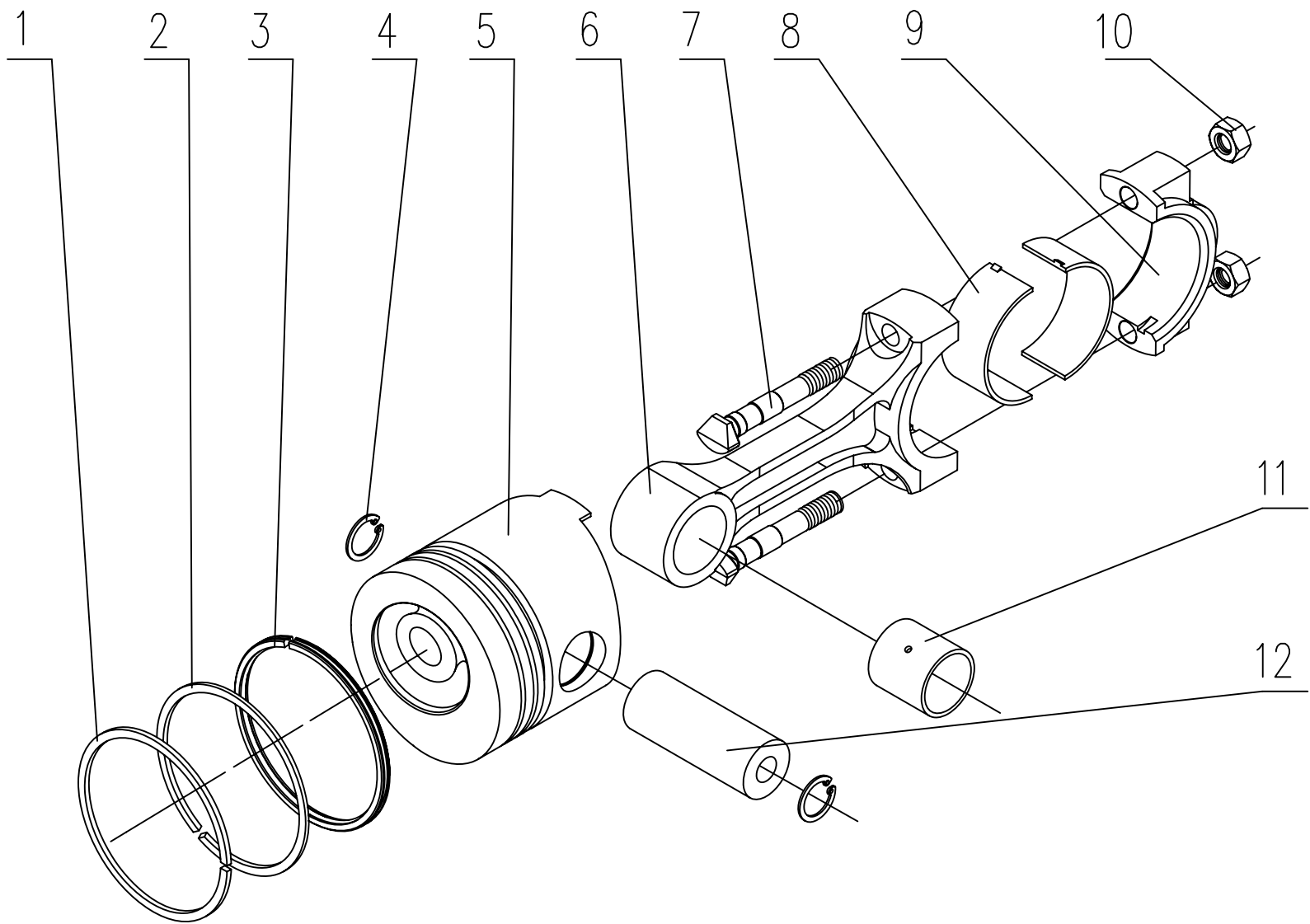


图5 活塞、连杆总成

Fig.5 Piston and Connecting Rod Assembly

35 活塞、连杆总成 Piston and Connecting Rod Assembly(Fig. 5)

Ser.No.	Part No.	名称及规格	Name & Specifications	Quantity	Remarks
1	4B26-05002	第一道活塞环	1st piston ring	4	
2	4B26-05003	第二道活塞环	2nd piston ring	4	
3	4B26-05100	油环部件	Oil ring	4	
4	GB/T893.2-1986-28	挡圈28	Circlip 28	8	
5	4B26-05001	活塞	Piston	4	
6	N85-05201	连杆	Connecting rod	4	
7	N85-05203	连杆螺栓	Connecting rod bolt	8	
8	4L68-050005	连杆轴瓦	Connecting rod bearing shell	8	
9	N85-05204	连杆盖	Connecting rod cap	4	
10	N85-05205	连杆螺母	Connecting rod nut	8	
11	N85-05202	连杆衬套	Connecting rod bushing	4	
12	N85-05004	活塞销	Piston pin	4	

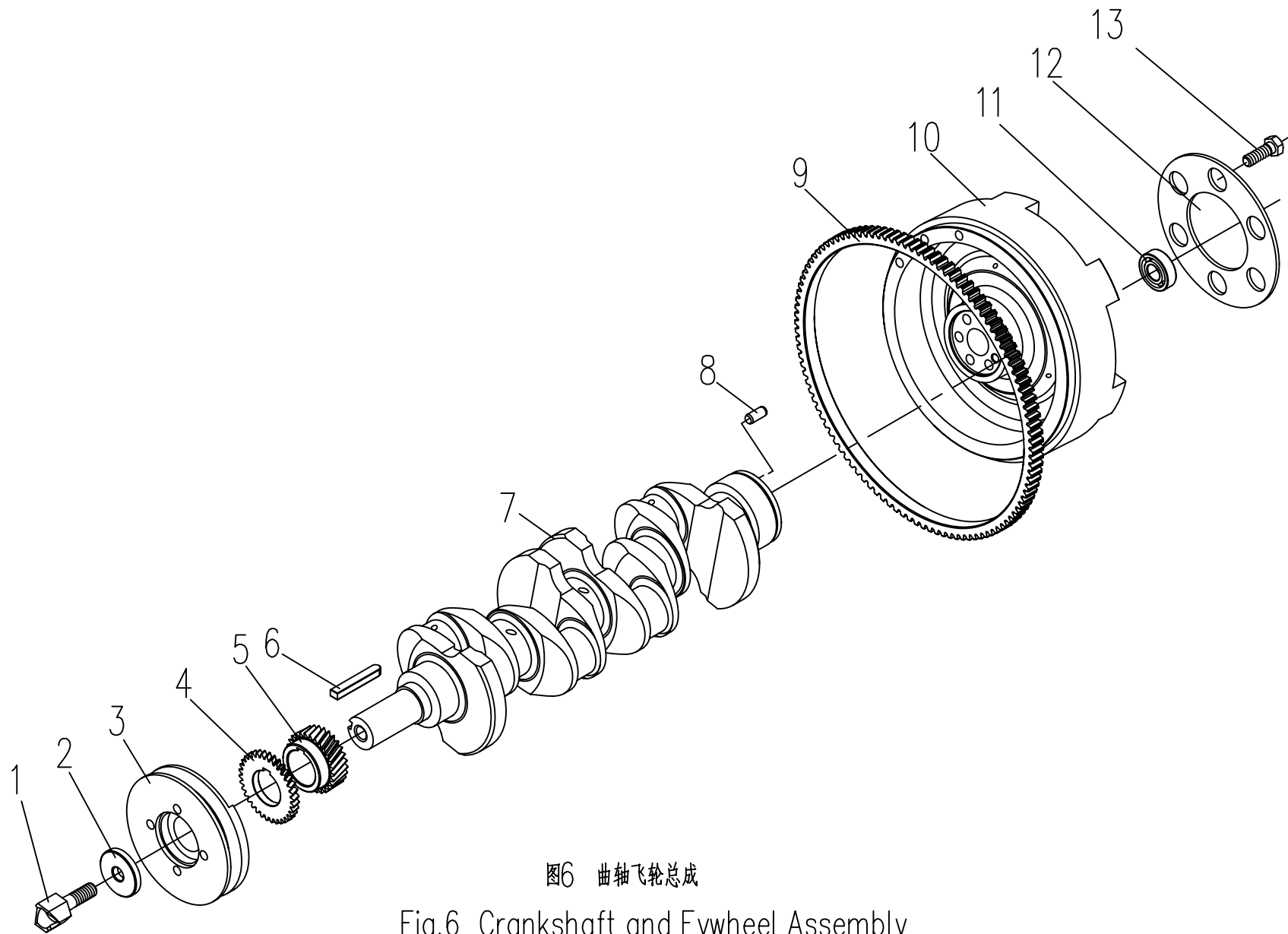


图6 曲轴飞轮总成

Fig.6 Crankshaft and Flywheel Assembly

36 曲轴、飞轮总成 Crankshaft and Flywheel Assembly (Fig. 6)

Ser.No.	Part No.	名称及规格	Name & Specifications	Quantity	Remarks
1	N85Q-06007	曲轴皮带轮螺栓	Crankshaft pulley bolt	1	
2	N85-06002	起动爪垫圈	Starting jaw washer	1	
3	ZN485T-06001(A)	曲轴皮带轮	Crankshaft pulley	1	
4	N485-04010(A)	机油泵主动齿轮	Lubricating oil pump driving gear	1	
5	4L68-04006	曲轴正时齿轮	Crankshaft timing gear	1	
6	GB/T1096-2003-C10×63	键C10×63	Key C10×63	1	
7	ZN490B-06004-1	曲轴	Crankshaft	1	
8	GB/T119.1-2000-B10×25h8	销B10×25h8	Cylindrical pin B10×25h8	1	
9	N85-06102	飞轮齿圈	Flywheel ring gear	1	
10	ZN485T-06101	飞轮	Flywheel	1	
11	GB/T276-1994-6203-2LS	滚动轴承6203-2LS	Ball bearing 6203-2LS	1	
12	N85-06005(A)	飞轮螺栓垫片	Flywheel blot washer	1	
13	N390T-06006(B)	飞轮螺栓	Flywheel blot	6	

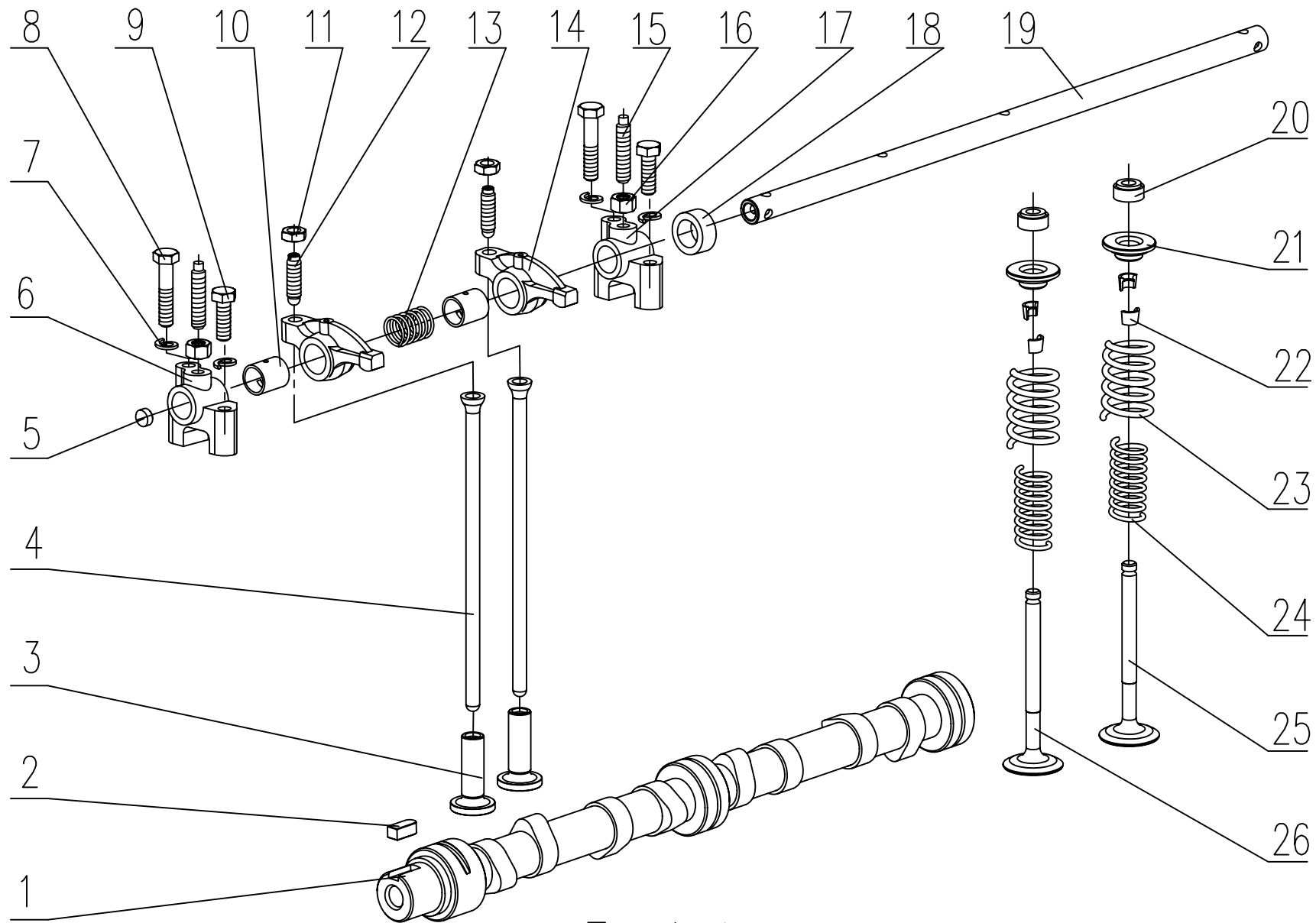


图7 配气机构

Fig.7 Valve Timing Mechanism

37 配气机构 Valve Timing Mechanism(Fig. 7)

Ser.No.	Part No.	名称及规格	Name & Specifications	Quantity	Remarks
1	N485-07001	凸轮轴	Camshaft	1	
2	GB/T1096-2003-C10×25	平键C10×25	Falt key C10×25	1	
3	N485-07003	气门挺柱	Valve tappet	8	
4	ZN485-07002	气门推杆	Valve push rod	8	
5	N85-02208	堵塞	Blocking plug	2	
6	N85-02201	前摇臂座	Front rocker arm support	1	
7	GB/T859-1987-8	垫圈8	Washer 8	10	
8	GB/T5782-2000-M8×60	螺栓M8×60	Bolt M8×60	5	
9	GB/T70-1985-M8×45	螺钉M8×45	Screw M8×45	5	
10	N85-02212	气门摇臂衬套	Valve rocker arm bushing	8	
11	N85-02203	气门间隙调整螺母	Valve clearance adjusting nut	8	
12	N85-02202	气门间隙调整螺钉	Valve clearance adjusting screw	8	
13	N85-02205	气门摇臂弹簧	Valve rocker arm spring	4	
14	N85-02211	气门摇臂	Valve rocker arm	8	
15	GB/T79-1985-M8×45	螺钉M8×45	Screw M8×45	5	
16	GB/T6170-2000-M8	螺母M8	Nut M8	5	
17	N85-022004	摇臂座	Rocker arm support	4	
18	N85-02206	轴套	Rocker arm shaft bushing	3	
19	N485-02207	摇臂轴	Rocker arm shaft	1	
20	GB/T3452.1-2005	气门杆密封圈	Valve rod seal ring	8	
21	N85-02001-1	气门弹簧上座	Valve spring seat(upper)	8	
22	N85-02002	气门锁夹	Valve collet	16	
23	N85-02003-1	气门外弹簧	Valve outer spring	8	
24	N85-02003-2	气门内弹簧	Valve inner spring	8	
25	4B26-02007	排气门	Exhaust valve	4	

37 配气机构 Valve Timing Mechanism(Fig. 7)

续表

Ser.No.	Part No.	名称及规格	Name & Specifications	Quantity	Remarks
26	4B26-02008	进气门	Intake valve	4	

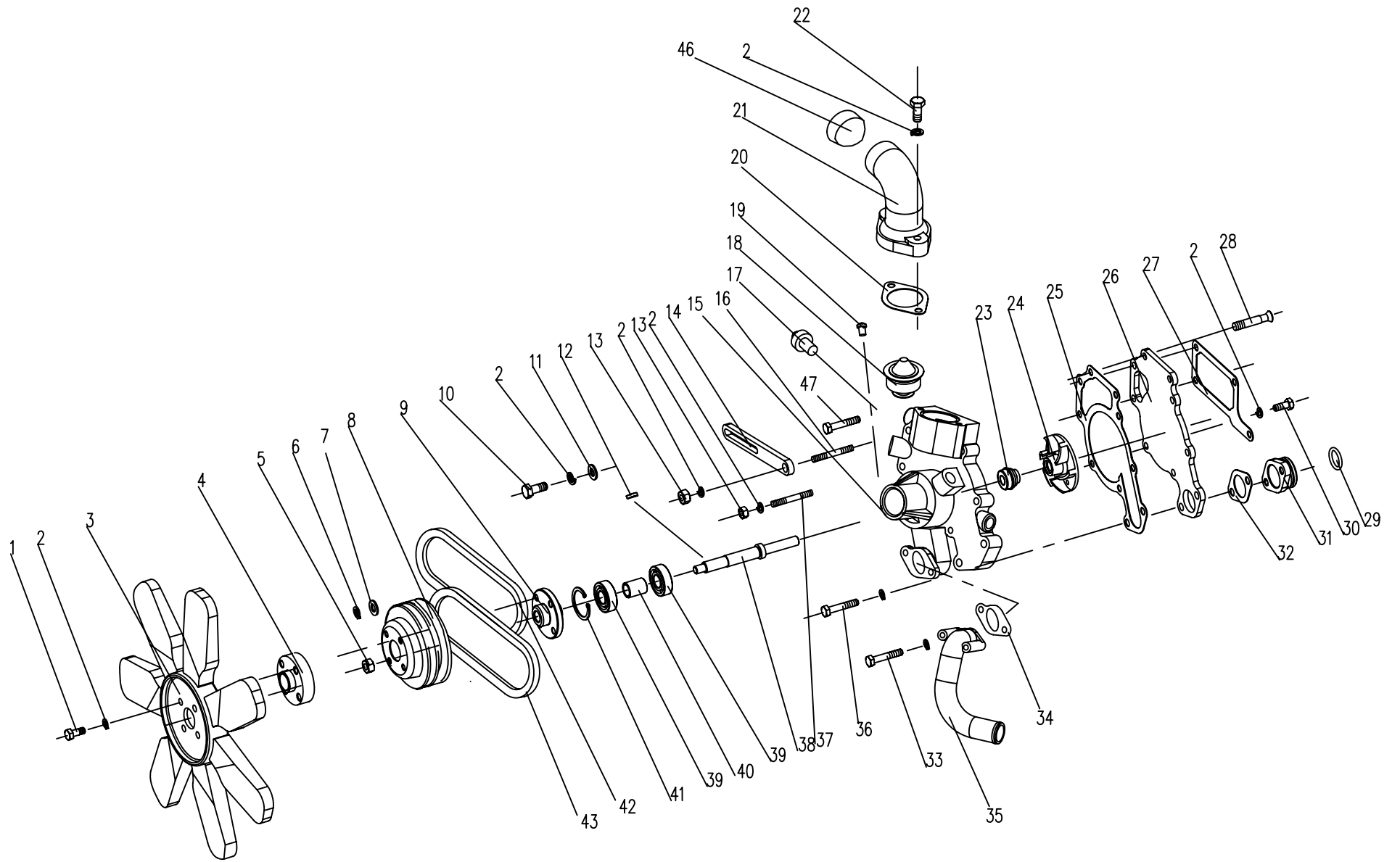


图8 水泵风扇总成
Fig.8 Water Pump and Fan Assembly

借(通) 用件登记

描(录)入 图

描(录)入 校

旧底图总号

底图总号

签 字

日 期

38 水泵、风扇总成 Water Pump and Fan Assembly (Fig. 8)

Ser.No.	Part No.	名称及规格	Name & Specifications	Quantity	Remarks
1	GB/T5783-2000-M8×60	螺栓M8×60	Bolt M8×60	4	
2	GB/T859-1987-8	垫圈8	Washer 8	17	
3	CC490Q-080012	冷却风扇 (φ380 吸风)	Cooling fan (φ380 吸风)	1	
4	N390T-08020 (B)	风扇垫块组件	Fan pad	2	
5	GB/T6170-2000-M10	螺母M10	Nut M10	1	
6	GB/T859-1987-10	垫圈10	Washer 10	1	
7	GB/T97.1-2002-10	垫圈10	Washer 10	1	
8	N390T-08011(A)	水泵皮带轮	Water pump pulley	1	
9	N485T-08012	水泵皮带轮壳	Water pump pulley housing	1	
10	GB/T5783-2000-M8×25	螺栓M8×25	Bolt M8×25	1	
11	GB/T97.1-2002-8	垫圈8	Washer 8	1	
12	GB/T1099-2003-4×36	键4×36	Key 4×36	1	
13	GB/T6170-2000-M8	螺母M8	Nut M8	4	
14	N390T-08018A	撑杆	Bracing	1	
15	N85T-08004E	水泵壳体	Water pump housing	1	
16	GB/T898-1976-M8×50	螺柱M8×50	Stud M8×50	1	
17	CZ475Q-170006	螺塞	Plug	1	
18	N85Q-17003	节温器t (Model 155B)	Thermostat (Model 155B)	1	
19	N390T-03025A	闷盖	Stifle	1	
20	N85T-08008	节温器壳垫片	Thermostat housing gasket	1	
21	N485Q-17001(S)	节温器盖	Thermostat cover	1	
22	GB/T5783-2000-M8×30	螺栓M8×30	Bolt M8×30	2	
23	N85T-08003	水封IF-12	Water seal ring IF-12	1	
24	N85T-08005	水泵叶轮	Water pump impeller	1	
25	N85T-08009	Water pump gasket	Water pump gasket	1	

38 水泵、风扇总成 Water Pump and Fan Assembly (Fig. 8)

续表

Ser.No.	Part No.	名称及规格	Name & Specifications	Quantity	Remarks
26	N85T-08010	水泵连接板	Water pump adapter	1	
27	N85T-08017	水泵连接板垫片	Water pump adapter gasket	1	
28	GB/T68-2000-M8×16	螺钉M8×16	Screw M8×16	2	
29	GB/T3452.1-2005- 40×3.1	O形圈 40×3.1	Seal ring 40×3.1	1	
30	GB/T5783-2000-M8×20	螺栓M8×20	Bolt M8×20	2	
31	N85T-08013	出水接头	Water drain connector	1	
32	N85T-08014	出水接头垫片	Water drain connector gasket	1	
33	GB/T5782-2000-M8×80	螺栓M8×80	Bolt M8×80	2	
34	N485T-08022	垫片	Gasket	1	
35	N485T-08021	进水管	Water pipe	1	
36	GB/T5780-2000-M8×45	螺栓M8×45	Bolt M8×45	2	
37	GB/T898-1988-M8×45	螺柱M8×45	Stud M8×45	3	
38	N85T-08006	水泵轴	Water pump shaft	1	
39	GB/T276-1994-6007	滚动轴承6007	Ball bearing 6007	2	
40	N85T-08002	轴承隔套	Bearing spacing sleeve	1	
41	GB/T893.2-1986-35	挡圈35	Circlip 35	1	
42	GB12732-2008-AV15×940	风扇皮带AV15×940	Fan belt AV15×940	1	
43	GB12732-2008-AV15×650	风扇皮带AV15×650	Fan belt AV15×650	1	
44	4L68-080013(A)	螺栓	Bolt	1	

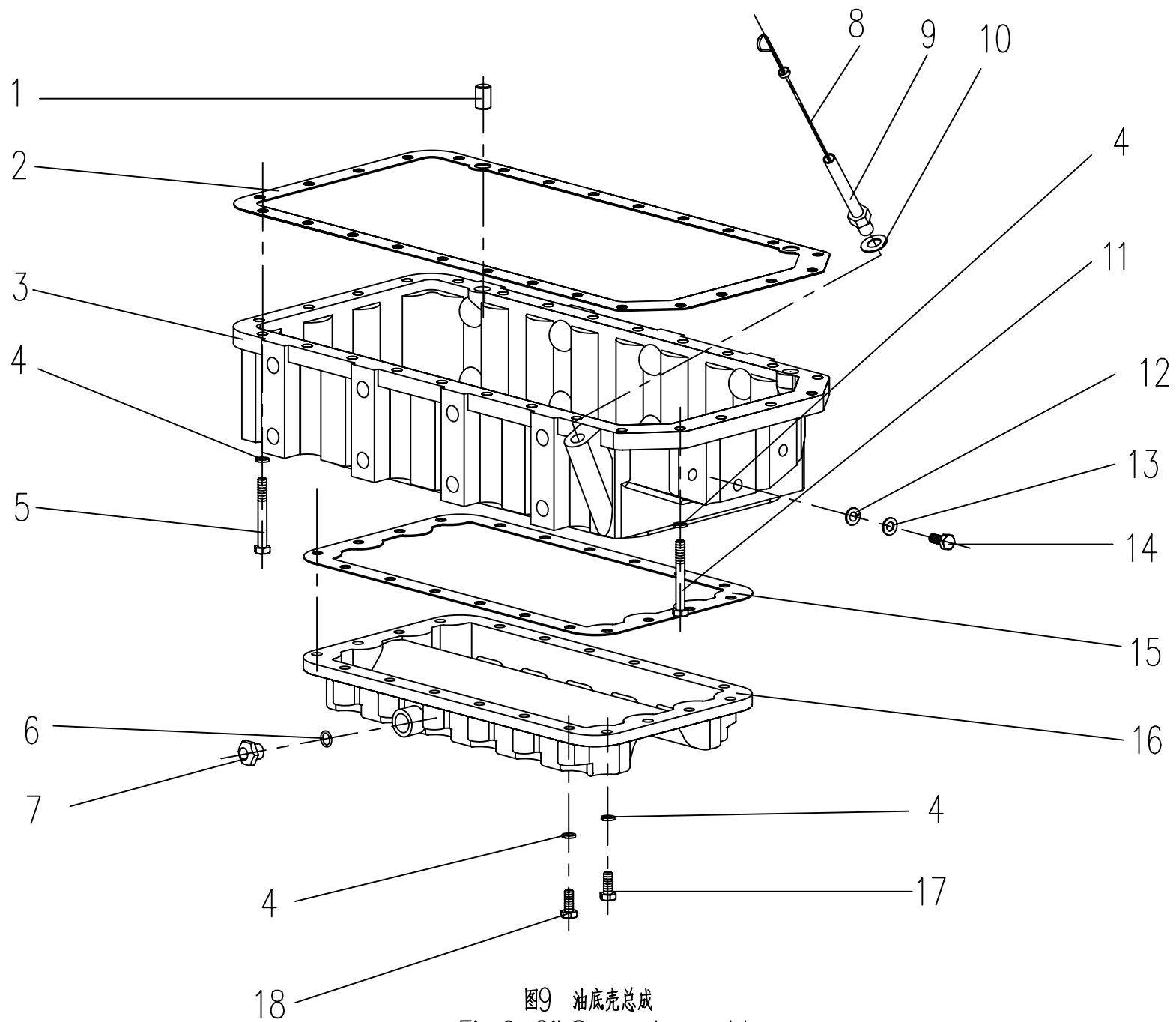


图9 油底壳总成
 Fig.9 Oil Sump Assembly

39 油底壳总成 Oil Sump Assembly (Fig. 9)

Ser.No.	Part No.	名称及规格	Name & Specifications	Quantity	Remarks
1	N485T-03110	定位销	Dowel pin	2	
2	ZN485T-11001	油底壳垫片	Oil sump gasket	1	
3	ZN485T-11004	油底	Oil sump	1	
4	GB/T93-1987-8	垫圈8	Washer 8	46	
5	GB/T5782-2000-M8×55	螺栓M8×55	Bolt M8×55	1	
6	GB/T3452.1-2005-11.2×2.65	O形圈11.2×2.65	O Seal ring 11.2×2.65	2	
7	195-01026	闷头	Plug	2	
8	ZN485T-11007	机油尺	Oil dipstick	1	
9	CZ475Q-032200	机油尺管焊接件	Oil dipstick pipe body	1	
10	QJ/MD05.01-12	组合垫圈12	Washer 12	1	
11	GB/T5783-2000-M8×30	螺栓M8×30	Bolt M8×30	25	
12	GB/T93-1987-10	垫圈10	Washer 10	3	
13	GB/T95-2002-10-100HV	垫圈10-100HV	Washer 10-100HV	3	
14	GB/T5783-2000-M10×30	螺栓M10×30	Bolt M10×30	3	
15	ZN485T-11005B	副油底壳垫片	Auxiliary oil sump gasket	1	
16	ZN485T-11006A	副油底壳	Auxiliary oil sump	1	
17	GB/T5783-2000-M8×45	螺栓M8×45	Bolt M8×45	8	
18	GB/T5783-2000-M8×25	螺栓M8×25	Bolt M8×25	11	

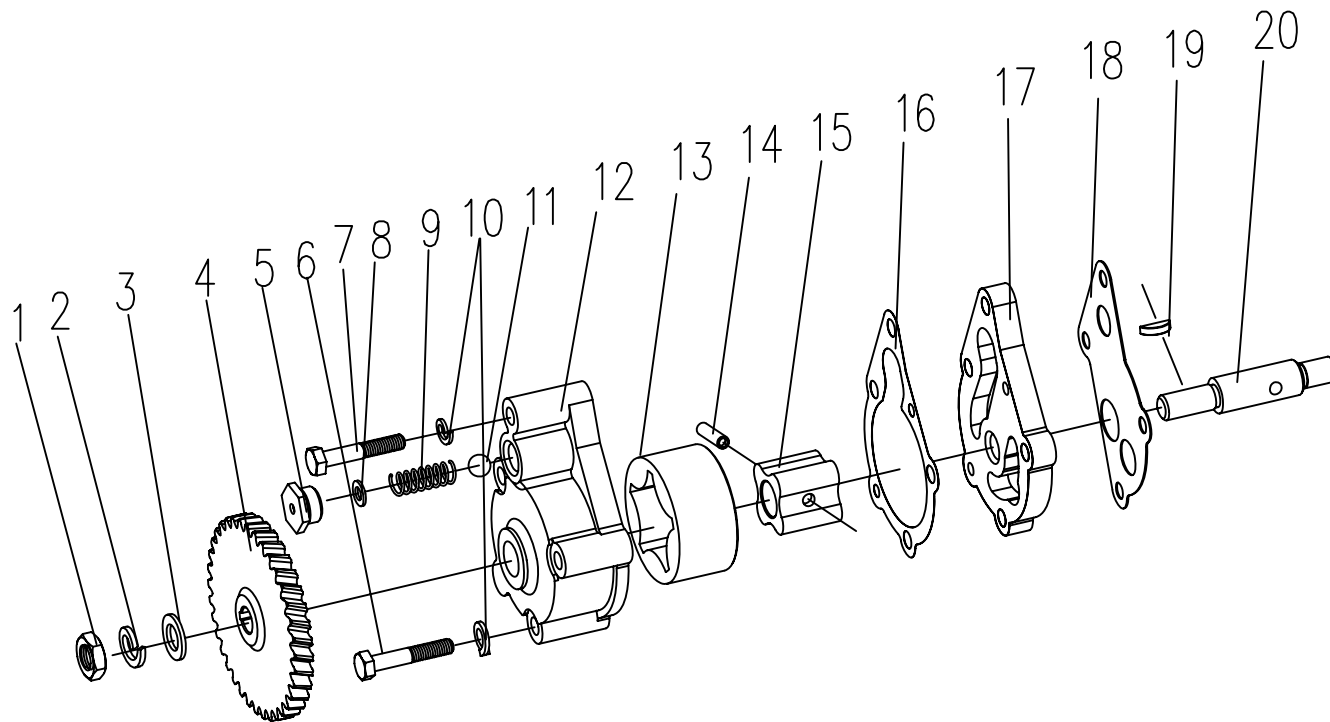


图10 机油泵总成

Fig.10 Lubricating Oil Pump Assembly

40 机油泵总成 Lubricating Oil Pump Assembly (Fig.10)

Ser.No.	Part No.	名称及规格	Name & Specifications	Quantity	Remarks
1	GB/T6173-2000-M10×1	螺母M10×1	Nut M10×1	1	
2	GB/T859-1987-10	垫圈10	Washer 10	1	
3	GB/T848-1985-10	垫圈10	Washer 10	1	
4	N485Q-13007(C)-1	机油泵齿轮	Oil pump gear	1	
5	N85-13006	限压阀塞	Pressure-limiting plug	1	
6	GB/T5782-2000-M6×50	螺栓M6×50	Bolt M6×50	3	
7	GB/T5782-2000-M6×55	螺栓M6×55	Bolt M6×55	1	
8	GB/T859-1987-4	垫圈4	Washer 4	4	
9	N85-13005	限压弹簧	Pressure-limiting spring	1	
10	GB/T859-1987-6	垫圈6	Washer 6	4	
11	GB/T308-2002-10	钢球10	Steel ball 10	1	
12	N485-13001(A)	机油泵体	Oil pump body	1	
13	N485-13004(A)	外转子	Outer rotor	1	
14	N85-13103(A)	圆柱销	Cylindrical pin	1	
15	N485-13102(A)	内转子	Inner rotor	1	
16	N485-13008(A)	调整垫片	Adjusting shim	1	
17	N85-13002(A)	机油泵盖	Oil pump cover	1	
18	N85-13003	垫片	Gasket	1	
19	GB/T1099-1979-3×5×13	键3×5×13	Key3×5×13	1	
20	N485-13101(A)	机油泵轴	Oil pump shaft	1	

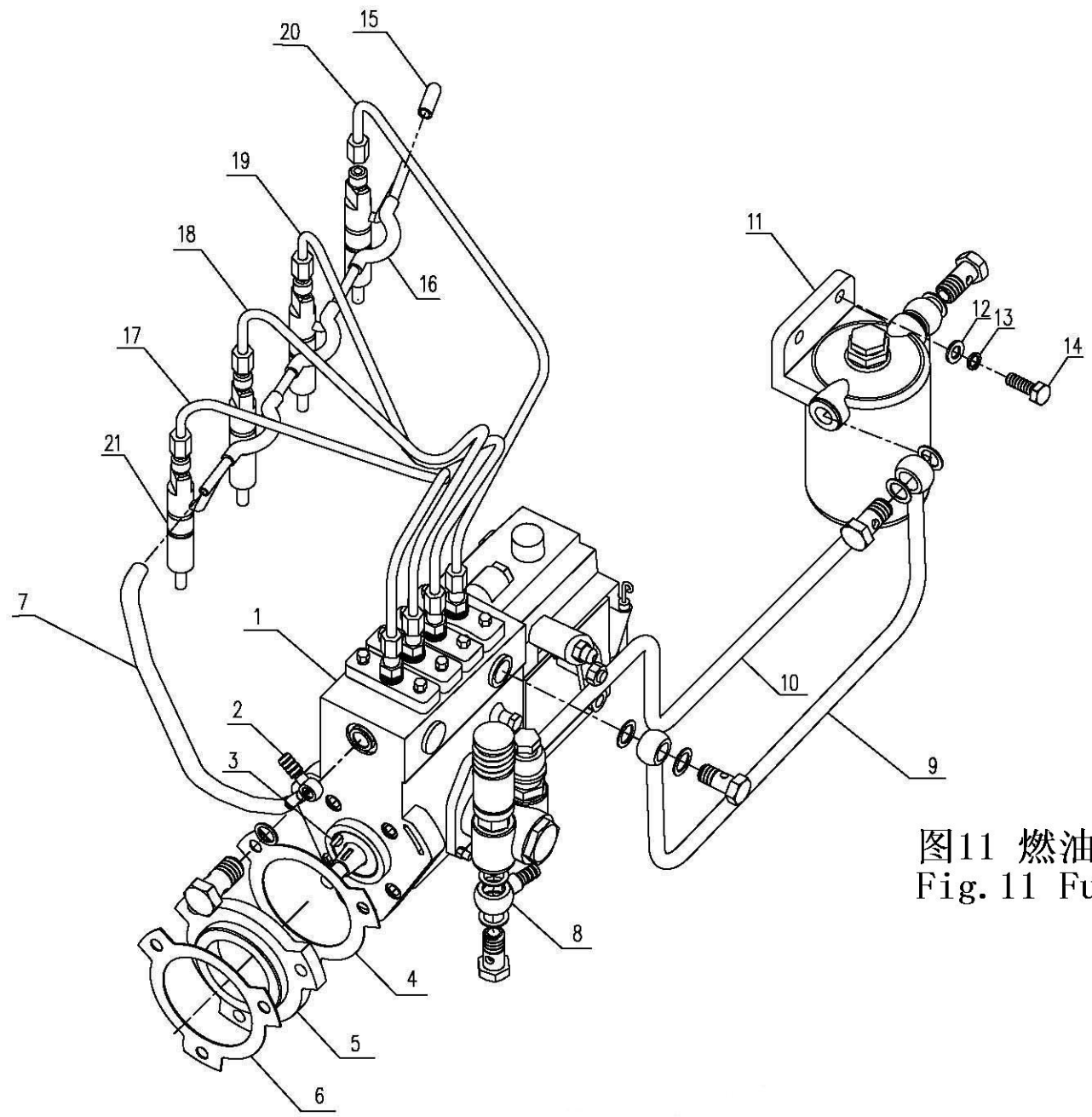


图11 燃油系统总成
Fig.11 Fuel System

41 燃油系统总成 Fuel System (Fig.11)

Ser.No.	Part No.	名称及规格	Name & Specifications	Quantity	Remarks
1	4L40-18001	喷油泵	Injection pump	1	
2	4L68-151000(D)-1	喷油器回油管接头部件	Injector fuel return pipe	1	
3	GB/T1099.1-2007-3×16	半圆键3×16	Woodruff 3×16	1	
4	N85-18002(A)	喷油泵法兰垫片	Fuel pump flange gasket	1	
5	4L68-18003	喷油泵垫块	Injection pump end cover	1	
6	N85-18004	喷油泵联接盘垫片	Injection pump end gasket	1	
7	4L68-150003	回油总管	Fuel return main pipe	1	
8	N85-15500(M)	输油泵进油管接头部件	Fuel feed pump inlet connection	1	
9	N485-15300	滤清器出油管部件	Fuel filter outlet pipe	1	
10	N485-15400B	输油泵出油管部件	Fuel feed pump outlet pipe	1	
11	N485-28000B	柴油滤清器总成	Fuel filter	1	
12	GB/T848-2002-8	垫圈8	Washer 8	2	
13	GB/T859-1987-8	垫圈8	Washer 8	2	
14	GB/T5782-2000-M8×25	螺栓M8×25	Bolt M8×25	2	
15	4L68-150001-3	喷油器回油套	Injector fuel return cover	1	
16	4L68-150002	回油管 φ6×2×110	Fuel return pipe φ6×2×110	2	
17	4L68-141000	第一缸高压油管部件	1 st cylinder high pressure fuel pipe	1	
18	4L68-142000	第二缸高压油管部件	2 nd cylinder high pressure fuel pipe	1	
19	4L68-143000	第三缸高压油管部件	3 rd cylinder high pressure fuel pipe	1	
20	4B26-144000	第四缸高压油管部件	4 th cylinder high pressure fuel pipe	1	
21	4L40-25000Z	喷油器总成	Injector	4	

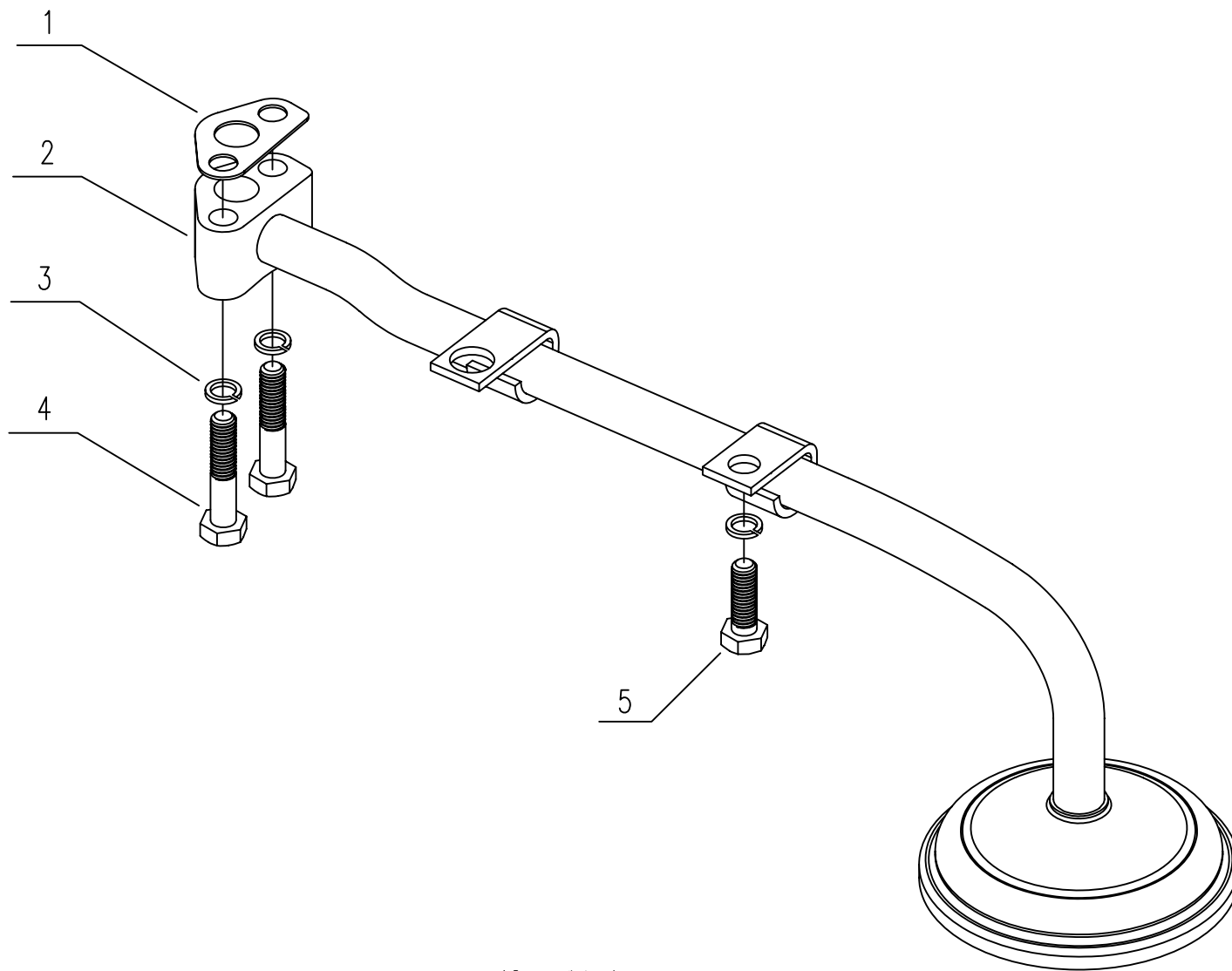


图12 机油集滤器总成
Fig.12 Oil Suction Strainer Assembly

42 机油集滤器总成 Oil Suction Strainer Assembly (Fig.12)

Ser.No.	Part No.	名称及规格	Name & Specifications	Quantity	Remarks
1	4L88-16002	垫片	Gasket	1	
2	4L88-16000A	机油集滤器总成	Oil suction strainer	1	
3	GB/T859-1987-8	垫圈 8	Washer 8	3	
4	GB/T5782-2000- M8×40	螺栓M8×40	Bolt M8×40	2	
5	GB/T5783-2000- M8×25	螺栓M8×25	Bolt M8×25	1	

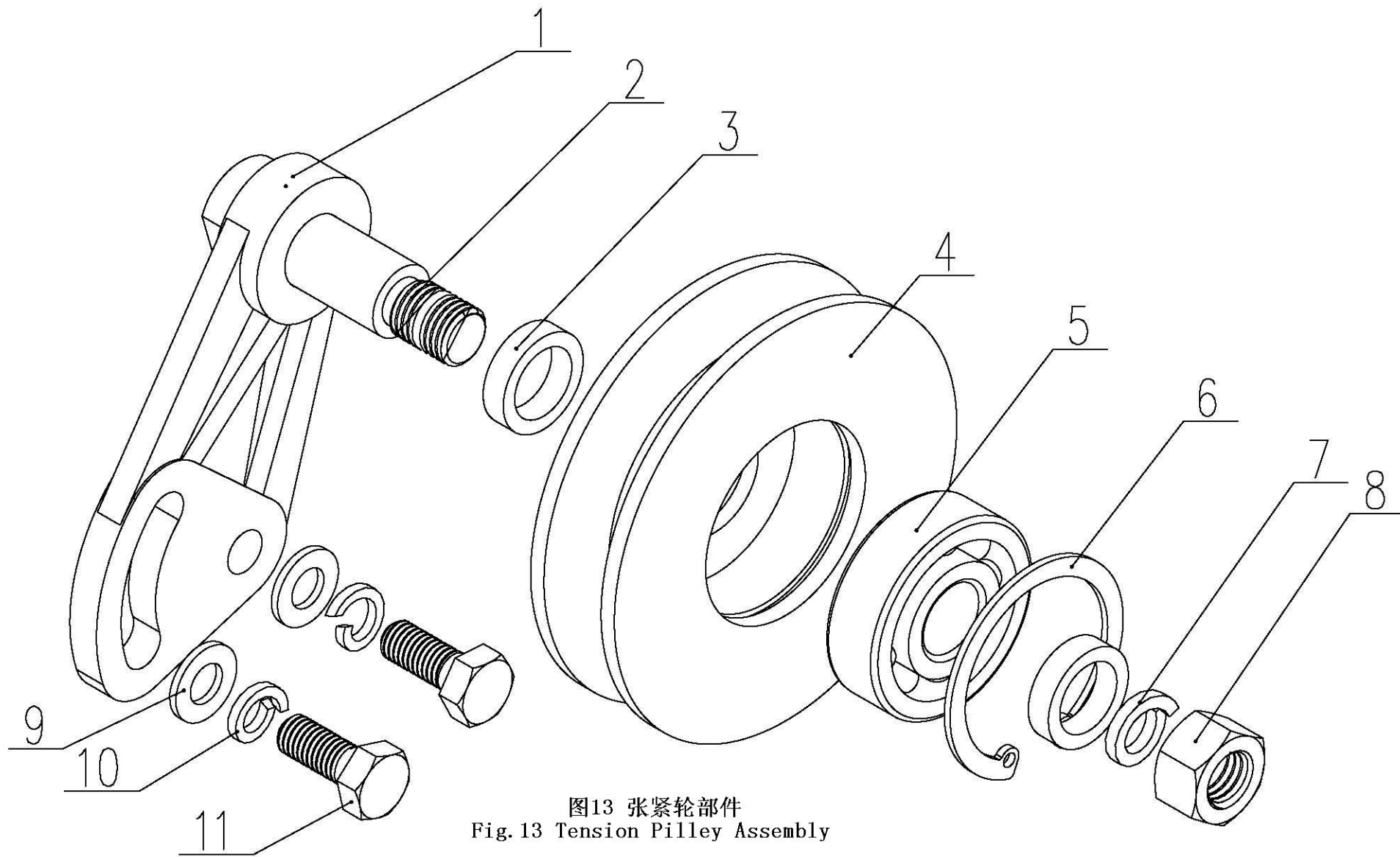


图13 张紧轮部件
Fig. 13 Tension Pulley Assembly

43 张紧轮部件 Tension pulley assembly (Fig.13)

Ser.No.	Part No.	名称及规格	Name & Specifications	Quantity	Remarks
1	N390T-21002	张紧轮支架	Tension pulley bracket	1	
2	N390T-21004	张紧轮轴	Tension pulley shaft	1	
3	N390T-21003	套圈	Bush ring	2	
4	N390T-21001	张紧轮	Tension pulley	1	
5	GB/T276-1994-6302E-2RS	轴承6302E-2RS	Bearing 6302E-2RS	1	
6	GB/T893.1-1986-42	挡圈42	Thrust ring 42	1	
7	GB/T93-1987-12	垫圈12	Washer 12	1	
8	GB/T6170-2000-M12	螺母M12	Nut M12	1	
9	GB/T97.1-1985-8	垫圈8	Washer 8	2	
10	GB/T/T93-1987-8	垫圈8	Washer 8	2	
11	GB/T5783-2000-M8×20	螺栓M8×20	Bolt M8×20	2	

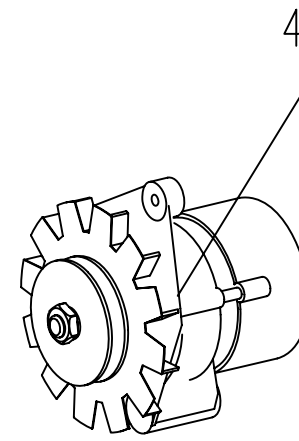
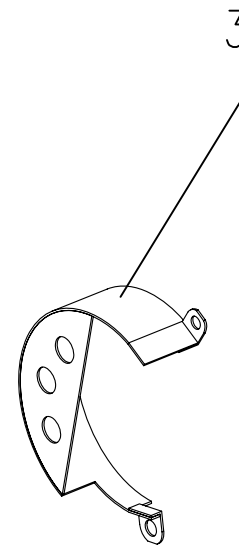
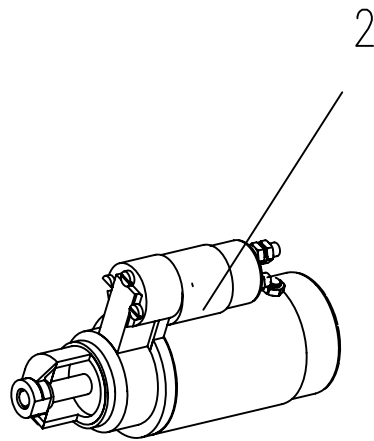
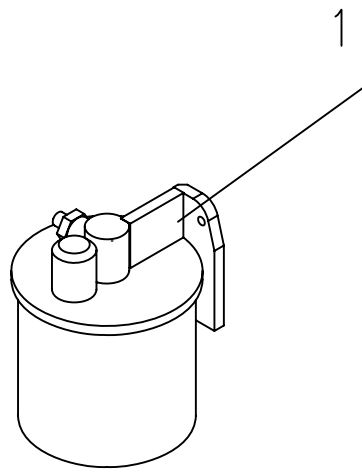


图14 机滤、空滤、发电机、起动电机、消声器

Fig.14 Oil Filter/Air Filter/Generator/Starting Motor/Silencer

44 机滤、发电机、起动电机 Oil Filter/Air Filter/Generator/Starting Motor/Silencer(Fig. 14)

Ser.No.	Part No.	名称及规格	Name & Specifications	Quantity	Remarks
1	N485Q-26000(B)	机油滤清器总成	Lubricating oil filter	1	
2	N485Q-30000(H)	起动电机总成	Starting motor	1	
3	N390T-29200B	发电机防护罩焊接件	Dynamo shield	1	
4	N85Q-29000	充电发电机总成	Charging generator	1	



NO.DF404G2-E-2018EC

Version: NO.00.00.00

First Print: September 2018

CHANGZHOU DONGFENG AGRICULTURAL MACHINERY GROUP CO.,LTD.

Add: No.328, Xinye Road, Xinzha Town,Zhonglou District, Changzhou, Jiangsu, China

Tel:086-0519-83256666

Fax: 0086 519 83261722

Postcode: 213012

E-mail: sales@df-tractor.com

Http://www.df-tractor.com